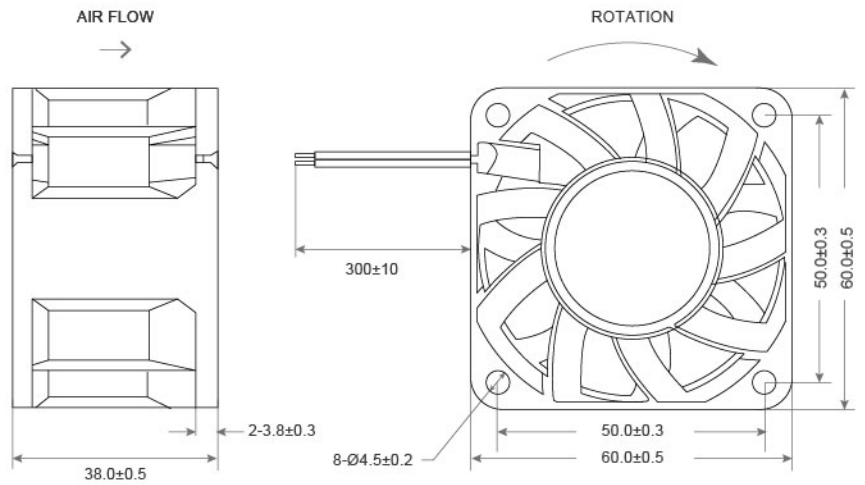


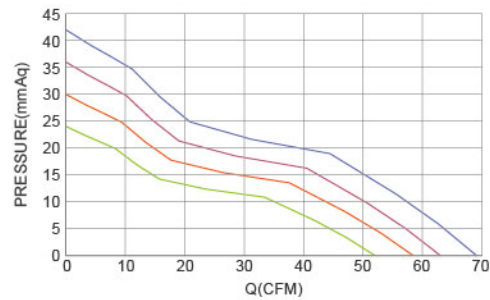
# DC Axial Fan TRD6038 SERIES 60X60X38mm

DIMENSIONS DRAWING UNIT : mm



- Frame : Thermoplastic PBT UL94-V0  
外框材質：環保防火PBT
- Impeller : Thermoplastic PBT UL94-V0  
扇葉材質：環保防火PBT
- Bearing : ※Sleeve · ★WRB · ◎Two Ball Bearing  
軸承：※含油 · ★WRB · ◎滾珠軸承
- Unit Weight : 106g  
風扇單體重量：106克

P&Q Curve At Rated Voltage

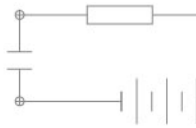


Model No.	Bearing Type	Voltage (VDC)	Current (A)	Power (W)	Speed (RPM)	Air Flow (CFM)	Air Flow (m <sup>3</sup> /min)	Air Pressure (mmH <sub>2</sub> O)	Air Pressure (Inch H <sub>2</sub> O)	Noise (dBA)
TRD6038x12D	※★◎	12 (7.0~14.0)	0.34	4.08	7000	39.82	1.13	14.43	0.57	53.8
TRD6038x12L	※★◎	12 (7.0~14.0)	0.46	5.52	8000	45.41	1.29	18.85	0.74	55.0
TRD6038x12M	※★◎	12 (7.0~14.0)	0.67	8.04	9000	51.80	1.47	24.40	0.96	58.5
TRD6038x12H	※★◎	12 (7.0~14.0)	0.96	11.52	10000	57.50	1.63	30.00	1.18	61.0
TRD6038x12VH	※★◎	12 (7.0~14.0)	1.32	15.84	11000	62.57	1.77	35.63	1.40	63.8
TRD6038x12SH	※★◎	12 (7.0~14.0)	1.60	19.20	12000	68.26	1.93	42.41	1.67	68.2
TRD6038x24D	※★◎	24 (15.0~27.0)	0.16	3.84	7000	39.82	1.13	14.43	0.57	53.8
TRD6038x24L	※★◎	24 (15.0~27.0)	0.17	4.08	8000	45.41	1.29	18.85	0.74	55.0
TRD6038x24M	※★◎	24 (15.0~27.0)	0.23	5.52	9000	51.80	1.47	24.40	0.96	58.5
TRD6038x24H	※★◎	24 (15.0~27.0)	0.31	7.44	10000	57.50	1.63	30.00	1.18	61.0
TRD6038x24VH	※★◎	24 (15.0~27.0)	0.41	9.84	11000	62.57	1.77	35.63	1.40	63.8
TRD6038x24SH	※★◎	24 (15.0~27.0)	0.53	12.72	12000	68.26	1.93	42.41	1.67	68.2

⊗ Bearing System ※ : Sleeve ★ : WRB ◎ : Ball

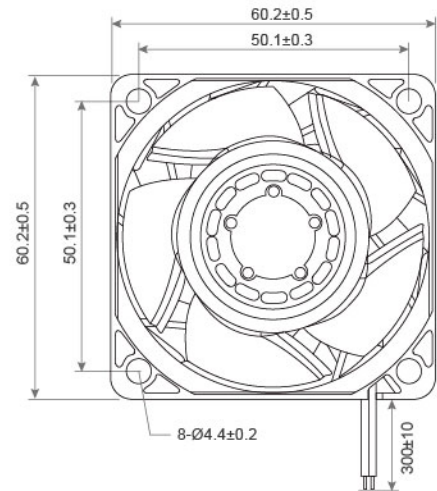
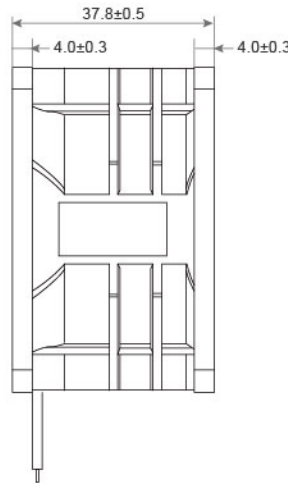
★如果您需要的轉速或電壓或功能不在這份清單上，請與我們業務聯繫 Please contact us, if the SPEC you need is not in the list.

■ A45 ★產品詳細數據及功能請參閱承認書 Please see the approval sheet for more information . ★產品規格變更不另行通知 Specifications are subject to change without notice.



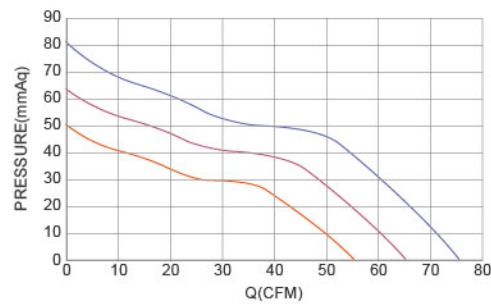
# DC Axial Fan TRD6038 FDA SERIES 60X60X38mm

DIMENSIONS DRAWING UNIT : mm



- Frame : Thermoplastic PBT UL94-V0  
外框材質：環保防火PBT
- Impeller : Thermoplastic PBT UL94-V0  
扇葉材質：環保防火PBT
- Bearing : ※Sleeve · ★WRB · ◎Two Ball Bearing  
軸承：※含油 · ★WRB · ◎滾珠軸承
- Unit Weight : 130g  
風扇單體重量：130克

P&Q Curve At Rated Voltage

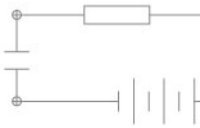


Model No.	Bearing Type	Voltage (VDC)	Current (A)	Power (W)	Speed (RPM)	Air Flow (CFM)	Air Flow (m <sup>3</sup> /min)	Air Pressure (mmH <sub>2</sub> O)	Air Pressure (Inch H <sub>2</sub> O)	Noise (dBA)
TRD6038B12M	※★◎	12 ( 7.5~13.5)	1.00	12.0	12500	56.27	1.61	50.80	1.979	60.0
TRD6038B12H	※★◎	12 ( 7.5~13.5)	1.60	19.2	14500	65.95	1.87	63.56	2.502	63.5
TRD6038B12VH	※★◎	12 ( 7.5~13.5)	2.30	27.6	16500	76.16	2.16	80.90	3.185	67.5
TRD6038B24M	※★◎	24 (14.5~27.5)	0.50	12.0	12500	56.27	1.61	50.80	1.979	60.0
TRD6038B24H	※★◎	24 (14.5~27.5)	0.80	19.2	14500	65.95	1.87	63.56	2.502	63.5
TRD6038B24VH	※★◎	24 (14.5~27.5)	1.15	27.6	16500	76.16	2.16	80.90	3.185	67.5
TRD6038B48M	※★◎	48 (36.0~54.5)	0.25	12.0	12500	56.27	1.61	50.80	1.979	60.0
TRD6038B48H	※★◎	48 (36.0~54.5)	0.40	19.2	14500	65.95	1.87	63.56	2.502	63.5
TRD6038B48VH	※★◎	48 (36.0~54.5)	0.58	27.84	16500	76.16	2.16	80.90	3.185	67.5

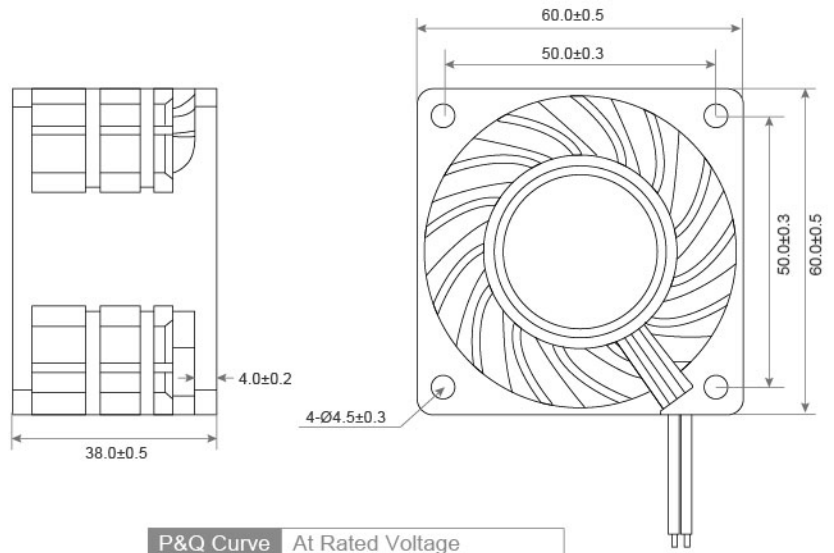
◎ Bearing System ※ : Sleeve ★ : WRB ◎ : Ball

★如果您需要的轉速或電壓或功能不在這份清單上，請與我們業務聯繫 Please contact us, if the SPEC you need is not in the list.

■ A47 ★產品詳細數據及功能請參閱承認書 Please see the approval sheet for more information . ★產品規格變更不另行通知 Specifications are subject to change without notice.

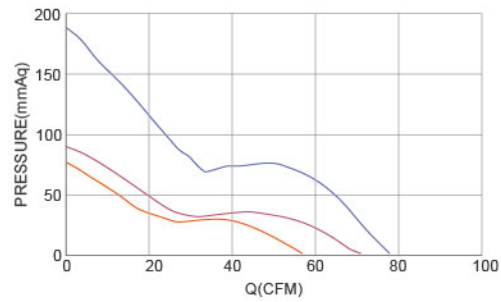


DIMENSIONS DRAWING UNIT : mm



- Frame : Thermoplastic PBT UL94-V0  
外框材質：環保防火PBT
- Impeller : Thermoplastic PBT UL94-V0  
扇葉材質：環保防火PBT
- Bearing : ◎Two Ball Bearing  
軸承：◎滾珠軸承
- Unit Weight : 180g  
風扇單體重量：180克

P&Q Curve At Rated Voltage

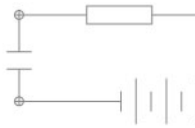


Model No.	Bearing Type	Voltage (VDC)	Current (A)	Power (W)	Speed (RPM)	Air Flow (CFM)	Air Flow (m <sup>3</sup> /min)	Air Pressure (mmH <sub>2</sub> O)	Air Pressure (Inch H <sub>2</sub> O)	Noise (dBA)
TRD6038x12M	◎	12 ( 7.0~13.5)	1.75	21.0	18000	58.60	1.664	78.70	3.09	60.0
TRD6038x12H	◎	12 ( 7.0~13.5)	2.10	25.2	20000	64.57	1.834	88.51	3.49	63.5
TRD6038x12VH	◎	12 ( 7.0~13.5)	3.50	42.0	25000	77.31	2.19	185.67	7.31	68.5
TRD6038x24M	◎	24 (14.5~27.5)	0.90	21.6	18000	58.60	1.606	78.70	3.09	60.0
TRD6038x24H	◎	24 (14.5~27.5)	1.05	25.2	20000	64.57	1.868	88.51	3.49	63.5
TRD6038x24VH	◎	24 (14.5~27.5)	1.75	42.0	25000	77.31	2.160	185.67	7.31	68.5
TRD6038x48M	◎	48 (36.0~54.5)	0.45	21.6	18000	58.60	1.606	78.70	3.09	60.0
TRD6038x48H	◎	48 (36.0~54.5)	0.53	25.4	20000	64.57	1.868	88.51	3.49	63.5
TRD6038x48VH	◎	48 (36.0~54.5)	0.45	42.0	25000	77.31	2.160	185.67	7.31	67.5

◎ Bearing System ※ : Sleeve ★ : WRB ◎ : Ball

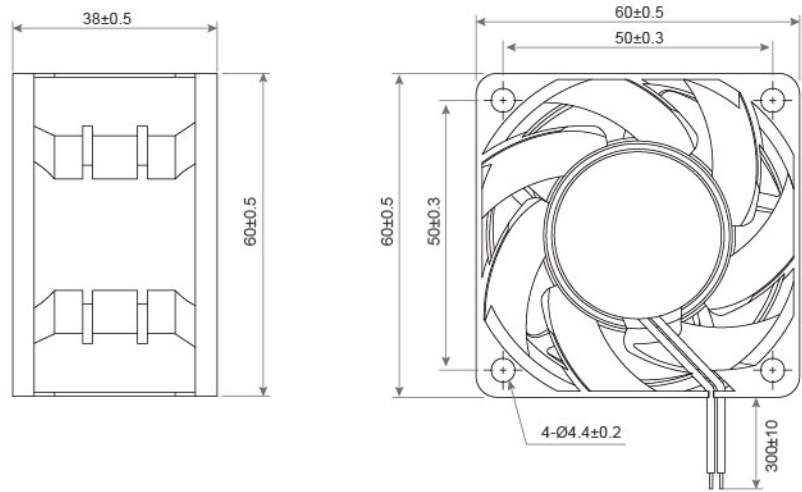
★如果您需要的轉速或電壓或功能不在這份清單上，請與我們業務聯繫 Please contact us, if the SPEC you need is not in the list.

★產品詳細數據及功能請參閱承認書 Please see the approval sheet for more information . ★產品規格變更不另行通知 Specifications are subject to change without notice. ■ A48



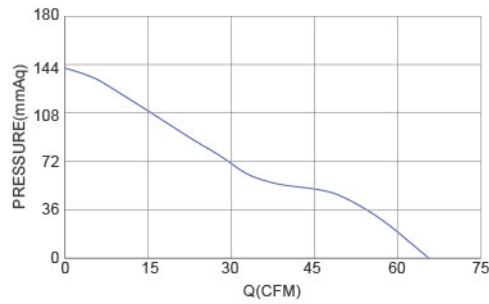
# DC Axial Fan TRD6038 FDC SERIES 60X60X38mm

DIMENSIONS DRAWING UNIT : mm



- Frame : Thermoplastic PBT UL94-V0  
外框材質：環保防火PBT
- Impeller : Thermoplastic PBT UL94-V0  
扇葉材質：環保防火PBT
- Bearing : ◎Two Ball Bearing  
軸承：◎滾珠軸承
- Unit Weight : 138g  
風扇單體重量：138克

P&Q Curve At Rated Voltage



Model No.	Bearing Type	Voltage (VDC)	Current (A)	Power (W)	Speed (RPM)	Air Flow (CFM)	Air Flow (m <sup>3</sup> /min)	Air Pressure (mmH <sub>2</sub> O)	Air Pressure (Inch H <sub>2</sub> O)	Noise (dBA)
TRD6038B12SH	◎	12 ( 7.5~13.5)	2.70	32.4	21700	66.8	1.89	141.8	5.58	68.0
TRD6038B24SH	◎	24 (18.0~26.5)	1.35	32.4	21700	66.8	1.89	141.8	5.58	68.0
TRD6038B48SH	◎	48 (36.0~54.0)	0.68	32.4	21700	66.8	1.89	141.8	5.58	68.0

⊗ Bearing System ※ : Sleeve ★ : WRB ◎ : Ball

★如果您需要的轉速或電壓或功能不在這份清單上，請與我們業務聯繫 Please contact us, if the SPEC you need is not in the list.

■ A47 ★產品詳細數據及功能請參閱承認書 Please see the approval sheet for more information . ★產品規格變更不另行通知 Specifications are subject to change without notice.