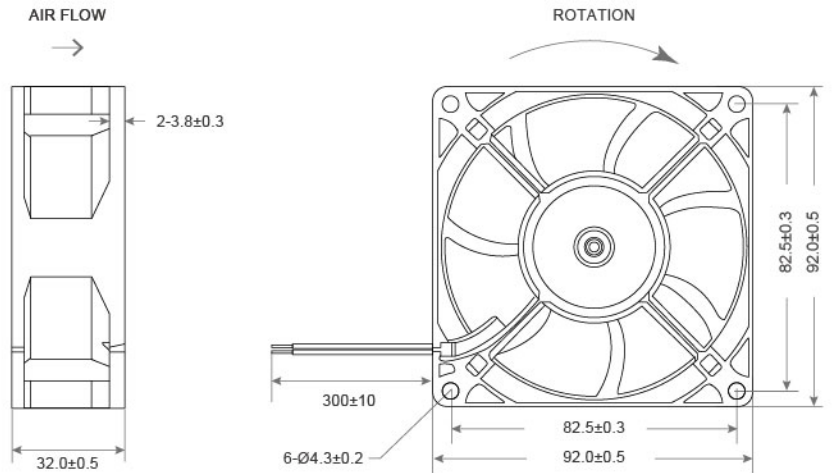


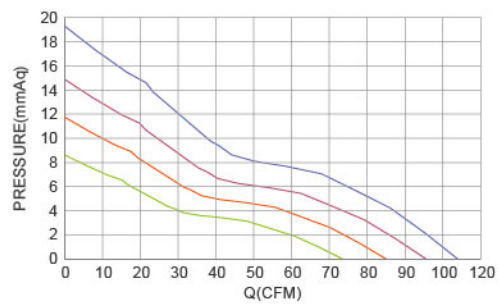
# DC Axial Fan TRD9232 SERIES 92X92X32mm

DIMENSIONS DRAWING UNIT : mm



- Frame : Thermoplastic PBT UL94-V0  
外框材質：環保防火PBT
- Impeller : Thermoplastic PBT UL94-V0  
扇葉材質：環保防火PBT
- Bearing : ※Sleeve · ★WRB · ◎Two Ball Bearing  
軸承：※含油 · ★WRB · ◎滾珠軸承
- Unit Weight : 150g  
風扇單體重量：150克

P&Q Curve At Rated Voltage



Model No.	Bearing Type	Voltage (VDC)	Current (A)	Power (W)	Speed (RPM)	Air Flow (CFM)	Air Flow (m <sup>3</sup> /min)	Air Pressure (mmH <sub>2</sub> O)	Air Pressure (Inch H <sub>2</sub> O)	Noise (dBA)
TRD9232x12D	※★◎	12 (7.0~14.0)	0.22	2.64	2600	50.67	1.43	4.13	0.16	38.0
TRD9232x12L	※★◎	12 (7.0~14.0)	0.31	3.72	3200	61.92	1.75	6.16	0.24	43.0
TRD9232x12M	※★◎	12 (7.0~14.0)	0.46	5.52	3800	73.18	2.07	8.61	0.34	48.8
TRD9232x12H	※★◎	12 (7.0~14.0)	0.60	7.20	4400	84.45	2.39	11.46	0.45	49.7
TRD9232x12VH	※★◎	12 (7.0~14.0)	0.98	11.76	5000	95.70	2.71	14.72	0.58	52.8
TRD9232x12SH	※★◎	12 (7.0~14.0)	1.10	26.40	5600	106.96	3.03	18.39	0.72	57.2
TRD9232x24D	※★◎	24 (15.0~27.0)	0.11	2.64	2600	50.67	1.43	4.13	0.16	38.0
TRD9232x24L	※★◎	24 (15.0~27.0)	0.16	3.84	3200	61.92	1.75	6.16	0.24	43.0
TRD9232x24M	※★◎	24 (15.0~27.0)	0.23	5.52	3800	73.18	2.07	8.61	0.34	48.8
TRD9232x24H	※★◎	24 (15.0~27.0)	0.30	7.20	4400	84.45	2.39	11.46	0.45	49.7
TRD9232x24VH	※★◎	24 (15.0~27.0)	0.49	11.76	5000	95.70	2.71	14.72	0.58	52.8
TRD9232x24SH	※★◎	24 (15.0~27.0)	0.55	13.20	5600	106.96	3.03	18.39	0.72	57.2
TRD9232x48D	※★◎	48 (35.0~57.0)	0.06	2.88	2600	50.67	1.43	4.13	0.16	38.0
TRD9232x48L	※★◎	48 (35.0~57.0)	0.08	3.84	3200	61.92	1.75	6.16	0.24	43.0
TRD9232x48M	※★◎	48 (35.0~57.0)	0.11	5.28	3800	73.18	2.07	8.61	0.34	48.8
TRD9232x48H	※★◎	48 (35.0~57.0)	0.15	7.20	4400	84.45	2.39	11.46	0.45	49.7
TRD9232x48VH	※★◎	48 (35.0~57.0)	0.24	11.52	5000	95.70	2.71	14.72	0.58	52.8
TRD9232x48SH	※★◎	48 (35.0~57.0)	0.28	13.44	5600	106.96	3.03	18.39	0.72	57.2

⊗ Bearing System ※ : Sleeve ★ : WRB ◎ : Ball

★如果您需要的轉速或電壓或功能不在這份清單上，請與我們業務聯繫 Please contact us, if the SPEC you need is not in the list.