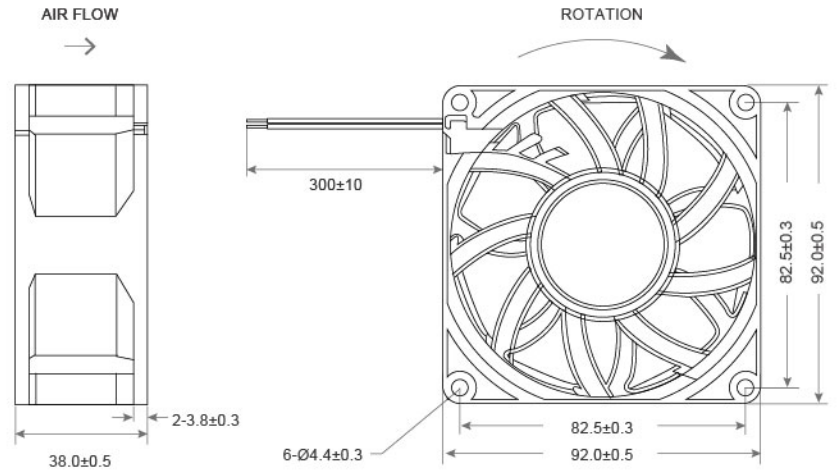


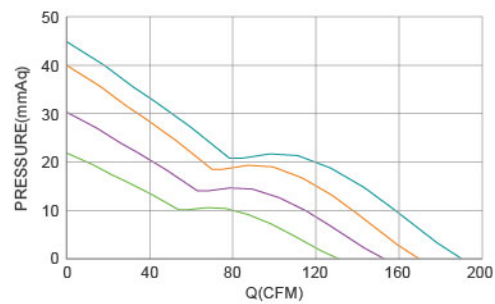
DC Axial Fan TRD9238 SERIES 92X92X38mm

DIMENSIONS DRAWING UNIT : mm



- Frame : Thermoplastic PBT UL94-V0
外框材質：環保防火PBT
- Impeller : Thermoplastic PBT UL94-V0
扇葉材質：環保防火PBT
- Bearing : ※ Sleeve · ★ WRB · ◎ Two Ball Bearing
軸承：※ 含油 · ★ WRB · ◎ 滾珠軸承
- Unit Weight : 185g
風扇單體重量：185克

P&Q Curve At Rated Voltage



Model No.	Bearing Type	Voltage (VDC)	Current (A)	Power (W)	Speed (RPM)	Air Flow (CFM)	Air Flow (m ³ /min)	Air Pressure (mmH ₂ O)	Air Pressure (Inch H ₂ O)	Noise (dBA)
TRD9238x12D	※★◎	12 (7.0~14.0)	0.42	5.04	4000	87.48	2.47	10.05	0.40	45.3
TRD9238x12L	※★◎	12 (7.0~14.0)	0.82	9.84	5000	108.81	3.08	15.55	0.61	50.5
TRD9238x12M	※★◎	12 (7.0~14.0)	1.16	13.92	6000	130.15	3.68	22.24	0.88	55.4
TRD9238x12H.Q	※★◎	12 (7.0~14.0)	1.60	19.20	7000	151.49	4.29	30.13	1.19	58.8
TRD9238x12VH.Q	◎	12 (7.0~14.0)	2.30	27.60	8000	172.82	4.89	39.22	1.54	63.3
TRD9238x24D	◎	24 (15.0~27.0)	0.21	5.04	4000	87.48	2.47	10.05	0.40	45.3
TRD9238x24L	※★◎	24 (15.0~27.0)	0.41	9.84	5000	108.81	3.08	15.55	0.61	50.5
TRD9238x24M	※★◎	24 (15.0~27.0)	0.58	13.92	6000	130.15	3.68	22.24	0.88	55.4
TRD9238x24H.Q	※★◎	24 (15.0~27.0)	0.80	19.20	7000	151.49	4.29	30.13	1.19	58.8
TRD9238x24VH.Q	◎	24 (15.0~27.0)	1.15	27.60	8000	172.82	4.89	39.22	1.54	63.3
TRD9238x24SH.Q	◎	24 (15.0~27.0)	1.36	32.64	8500	183.49	5.19	44.21	1.74	64.8
TRD9238x48D	※★◎	48 (35.0~57.0)	0.10	4.80	4000	87.48	2.47	10.05	0.40	45.3
TRD9238x48L	※★◎	48 (35.0~57.0)	0.20	9.60	5000	108.81	3.08	15.55	0.61	50.5
TRD9238x48M	※★◎	48 (35.0~57.0)	0.26	12.48	6000	130.15	3.68	22.24	0.88	55.4
TRD9238x48H.Q	※★◎	48 (35.0~57.0)	0.40	19.20	7000	151.49	4.29	30.13	1.19	58.8
TRD9238x48VH.Q	◎	48 (35.0~57.0)	0.58	27.84	8000	172.82	4.89	39.22	1.54	63.3
TRD9238x48SH.Q	◎	48 (35.0~57.0)	0.68	32.64	8500	183.49	5.19	44.21	1.74	64.8

Optional Frames :



⊗ Bearing System ※ : Sleeve ★ : WRB ◎ : Ball

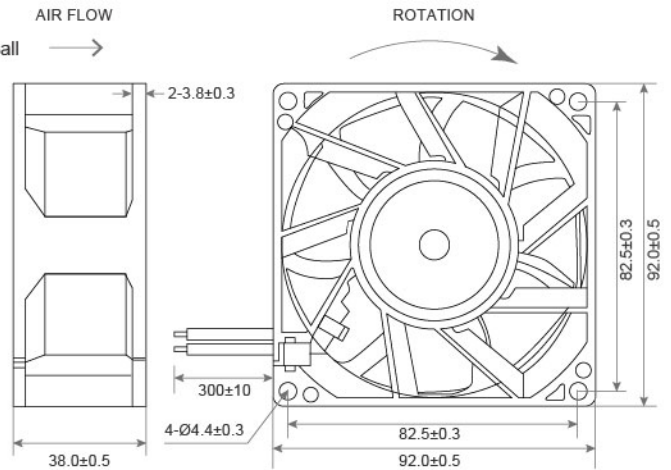
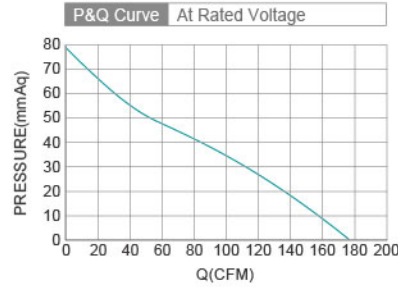
★如果您需要的轉速或電壓或功能不在這份清單上，請與我們業務聯繫 Please contact us, if the SPEC you need is not in the list.

★產品詳細數據及功能請參閱承認書 Please see the approval sheet for more information . ★產品規格變更不另行通知 Specifications are subject to change without notice. ■ A84

DC Axial Fan TRD9238 B SERIES 92X92X38mm

- Frame : Thermoplastic PBT UL94-V0
外框材質：環保防火PBT
- Impeller : Thermoplastic PBT UL94-V0
扇葉材質：環保防火PBT
- Bearing : ※Sleeve · ★WRB · ◎Two Ball
軸承：※含油 · ★WRB · ◎滾珠軸承
- Unit Weight : 238g
風扇單體重量：238克

DIMENSIONS DRAWING UNIT : mm

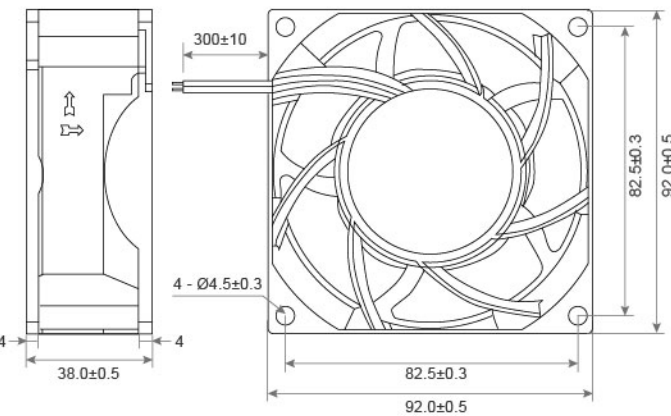
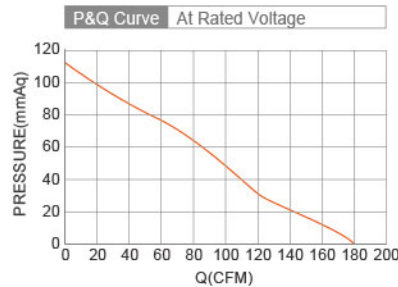


Model No.	Bearing Type	Voltage (VDC)	Current (A)	Power (W)	Speed (RPM)	Air Flow (CFM)	Air Flow (m ³ /min)	Air Pressure (mmH ₂ O)	Air Pressure (Inch H ₂ O)	Noise (dBA)
TRD9238x24SH	※★◎	24 (15.0~27.0)	1.7	41.0	11000	175.95	4.46	78.61	3.09	66.9

DC Axial Fan TRF9238 B SERIES 92X92X38mm

- Frame : Thermoplastic PBT UL94-V0
外框材質：環保防火PBT
- Impeller : Thermoplastic PBT UL94-V0
扇葉材質：環保防火PBT
- Bearing : ※Sleeve · ★WRB · ◎Two Ball
軸承：※含油 · ★WRB · ◎滾珠軸承
- Unit Weight : 245g
風扇單體重量：245克

DIMENSIONS DRAWING UNIT : mm

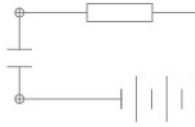


Model No.	Bearing Type	Voltage (VDC)	Current (A)	Power (W)	Speed (RPM)	Air Flow (CFM)	Air Flow (m ³ /min)	Air Pressure (mmH ₂ O)	Air Pressure (Inch H ₂ O)	Noise (dBA)
TRF9238x12SH	※◎	12 (7.2~13.8)	5.3	63.6	14900	180.0	5.1	112.17	4.42	72.0
TRF9238x24SH	※◎	24 (14.5~27.5)	2.6	62.4	14900	180.0	5.1	112.17	4.42	72.0
TRF9238x48SH	※◎	48 (29.0~55.0)	1.2	57.6	14900	180.0	5.1	112.17	4.42	72.0

⊗ Bearing System ※ : Sleeve ★ : WRB ◎ : Ball

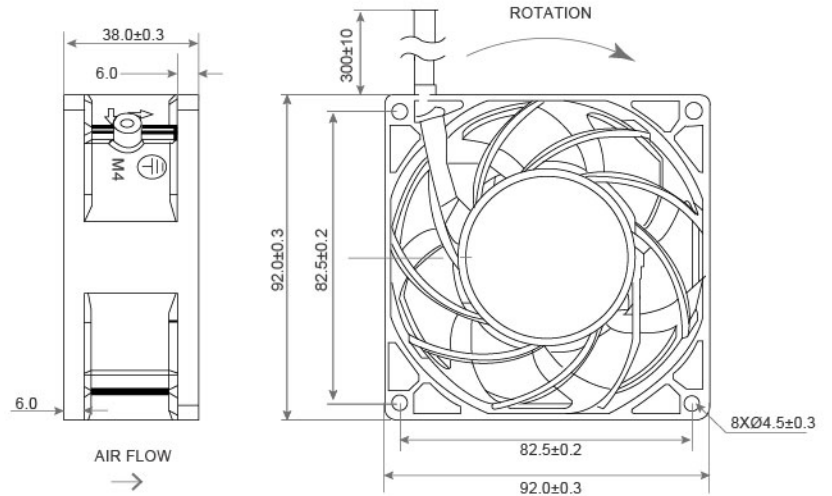
★如果您需要的轉速或電壓或功能不在這份清單上，請與我們業務聯繫 Please contact us, if the SPEC you need is not in the list.

■ A85 ★產品詳細數據及功能請參閱承認書 Please see the approval sheet for more information . ★產品規格變更不另行通知 Specifications are subject to change without notice.



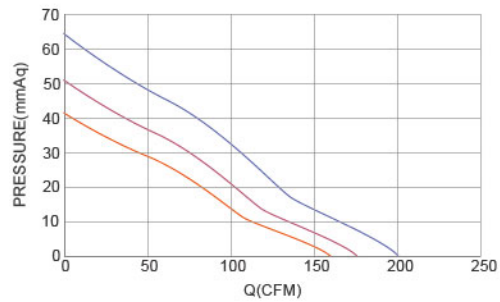
DC Axial Fan TRF9238 C SERIES 92X92X38mm

DIMENSIONS DRAWING UNIT : mm



- Frame : Aluminum
外框材質：鋁框
- Impeller : Thermoplastic PBT UL94-V0
扇葉材質：環保防火PBT
- Bearing : ※Sleeve · ★WRB · ◎Two Ball Bearing
軸承：※含油 · ★WRB · ◎滾珠軸承
- Unit Weight : 322g
風扇單體重量：322克

P&Q Curve At Rated Voltage

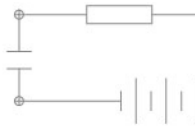


Model No.	Bearing Type	Voltage (VDC)	Current (A)	Power (W)	Speed (RPM)	Air Flow (CFM)	Air Flow (m ³ /min)	Air Pressure (mmH ₂ O)	Air Pressure (Inch H ₂ O)	Noise (dBA)
TRF9238x12D	※◎★	12 (7.2~13.8)	0.87	10.4	6000	105.35	2.99	18.03	0.71	52.0
TRF9238x12L	※◎★	12 (7.2~13.8)	1.25	15.0	7000	122.07	3.47	24.87	0.98	56.0
TRF9238x12M	※◎★	12 (7.2~13.8)	1.76	21.1	8000	140.11	3.98	32.97	1.298	59.0
TRF9238x12H	※◎★	12 (7.2~13.8)	2.50	30.0	9000	159.07	4.52	41.64	1.64	62.0
TRF9238x12VH	※◎★	12 (7.2~13.8)	3.30	39.6	10000	175.84	4.99	50.86	2.00	64.5
TRF9238x12SH	※◎★	12 (7.2~13.8)	5.00	60.0	11500	201.03	5.71	64.11	2.52	68.5
TRF9238x24D	※◎★	24 (14.5~27.5)	0.44	10.4	6000	105.35	2.99	18.03	0.71	52.0
TRF9238x24L	※◎★	24 (14.5~27.5)	0.63	15.0	7000	122.07	3.47	24.87	0.98	56.0
TRF9238x24M	※◎★	24 (14.5~27.5)	0.88	21.1	8000	140.11	3.98	32.97	1.298	59.0
TRF9238x24H	※◎★	24 (14.5~27.5)	1.25	30.0	9000	159.07	4.52	41.64	1.64	62.0
TRF9238x24VH	※◎★	24 (14.5~27.5)	1.65	39.6	10000	175.84	4.99	50.86	2.00	64.5
TRF9238x24SH	※◎★	24 (14.5~27.5)	2.50	60.0	11500	201.03	5.71	64.11	2.52	68.5
TRF9238x48D	※◎★	48 (29.0~55.0)	0.22	10.4	6000	105.35	2.99	18.03	0.71	52.0
TRF9238x48L	※◎★	48 (29.0~55.0)	0.31	15.0	7000	122.07	3.47	24.87	0.98	56.0
TRF9238x48M	※◎★	48 (29.0~55.0)	0.43	21.1	8000	140.11	3.98	32.97	1.298	59.0
TRF9238x48H	※◎★	48 (29.0~55.0)	0.63	30.0	9000	159.07	4.52	41.64	1.64	62.0
TRF9238x48VH	※◎★	48 (29.0~55.0)	0.83	39.6	10000	175.84	4.99	50.86	2.00	64.5
TRF9238x48SH	※◎★	48 (29.0~55.0)	1.25	60.0	11500	201.03	5.71	64.11	2.52	68.5

⊗ Bearing System ※ : Sleeve ★ : WRB ◎ : Ball

★如果您需要的轉速或電壓或功能不在這份清單上，請與我們業務聯繫 Please contact us, if the SPEC you need is not in the list.

★產品詳細數據及功能請參閱承認書 Please see the approval sheet for more information . ★產品規格變更不另行通知 Specifications are subject to change without notice. ■ A86

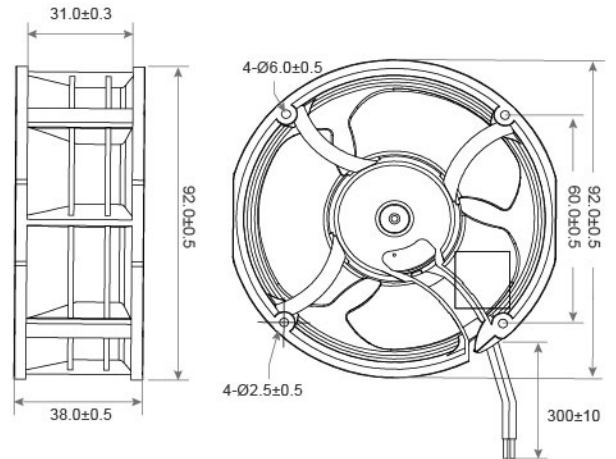
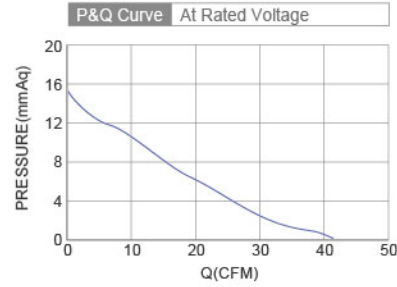


DC Axial Fan TRD9238 UB SERIES Ø92X38mm

DIMENSIONS DRAWING UNIT : mm



- Frame : Thermoplastic PBT UL94-V0
外框材質：環保防火PBT
- Impeller : Thermoplastic PBT UL94-V0
扇葉材質：環保防火PBT
- Bearing : ◎Two Ball Bearing
軸承：◎滾珠軸承
- Unit Weight : 131g
風扇單體重量：131克



Model No.	Bearing Type	Voltage (VDC)	Current (A)	Power (W)	Speed (RPM)	Air Flow (CFM)	Air Flow (m ³ /min)	Air Pressure (mmH ₂ O)	Air Pressure (Inch H ₂ O)	Noise (dBA)
TRD9238B12M	◎	12 (7.5~13.5)	0.17	2.0	5500	42.4	1.20	15.00	0.59	43.0
TRD9238B24H	◎	24 (7.5~13.5)	0.09	2.2	5500	42.4	1.20	15.00	0.59	43.0

⊗ Bearing System ※ : Sleeve ★ : WRB ◎ : Ball

★如果您需要的轉速或電壓或功能不在這份清單上，請與我們業務聯繫 Please contact us, if the SPEC you need is not in the list.

■ A87 ★產品詳細數據及功能請參閱承認書 Please see the approval sheet for more information . ★產品規格變更不另行通知 Specifications are subject to change without notice.