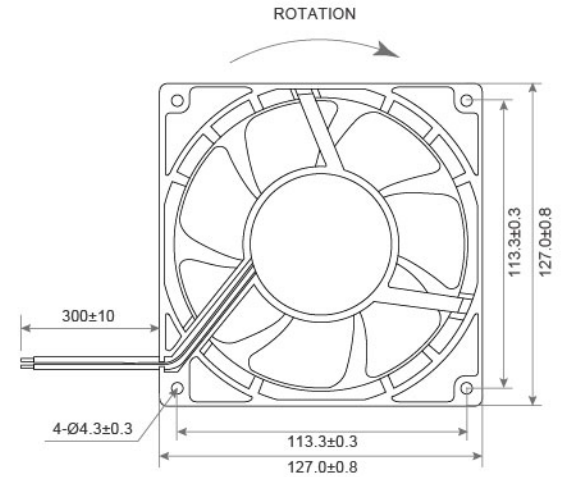
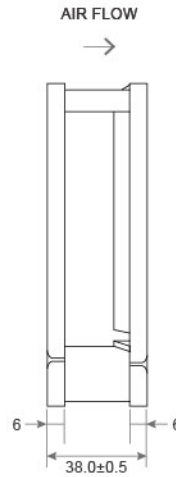


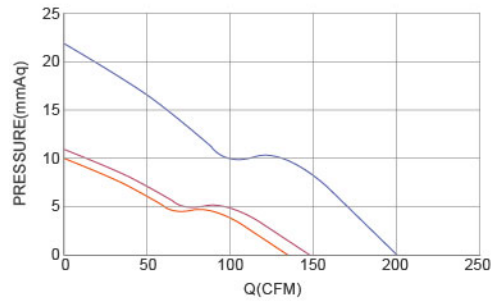
DC Axial Fan TRF12738 A SERIES 127X127X38mm

DIMENSIONS DRAWING UNIT : mm



- Frame : Thermoplastic PBT UL94-V0
外框材質：環保防火PBT
- Impeller : Thermoplastic PBT UL94-V0
扇葉材質：環保防火PBT
- Bearing : ◎Two Ball Bearing
軸承：◎滾珠軸承
- Unit Weight : 355g
風扇單體重量：355克

P&Q Curve At Rated Voltage



Model No.	Bearing Type	Voltage (VDC)	Current (A)	Power (W)	Speed (RPM)	Air Flow (CFM)	Air Flow (m ³ /min)	Air Pressure (mmH ₂ O)	Air Pressure (Inch H ₂ O)	Noise (dBA)
TRF12738x12L	◎	12 (7.2-13.8)	0.86	10.32	2950	134.0	3.80	10.00	0.39	45.0
TRF12738x12M	◎	12 (7.2-13.8)	1.32	15.84	3300	148.0	4.20	11.98	0.47	47.0
TRF12738x12H	◎	12 (7.2-13.8)	2.20	26.40	4550	200.0	5.66	22.02	0.87	57.0
TRF12738x24L	◎	24 (14.5~27.5)	0.43	10.32	2950	134.0	3.80	10.00	0.39	45.0
TRF12738x24M	◎	24 (14.5~27.5)	0.66	15.84	3300	148.0	4.20	11.98	0.47	47.0
TRF12738x24H	◎	24 (14.5~27.5)	1.10	26.40	4550	200.0	5.66	22.02	0.87	57.0
TRF12738x48L	◎	48 (29.0~55.0)	0.22	10.32	2950	134.0	3.80	10.00	0.39	45.0
TRF12738x48M	◎	48 (29.0~55.0)	0.33	15.84	3300	148.0	4.20	11.98	0.47	47.0
TRF12738x48H	◎	48 (29.0~55.0)	0.55	26.40	4550	200.0	5.66	22.02	0.87	57.0

⊗ Bearing System ※ : Sleeve ★ : WRB ◎ : Ball

★如果您需要的轉速或電壓或功能不在這份清單上，請與我們業務聯繫 Please contact us, if the SPEC you need is not in the list.

■ A103★產品詳細數據及功能請參閱承認書 Please see the approval sheet for more information . ★產品規格變更不另行通知 Specifications are subject to change without notice.