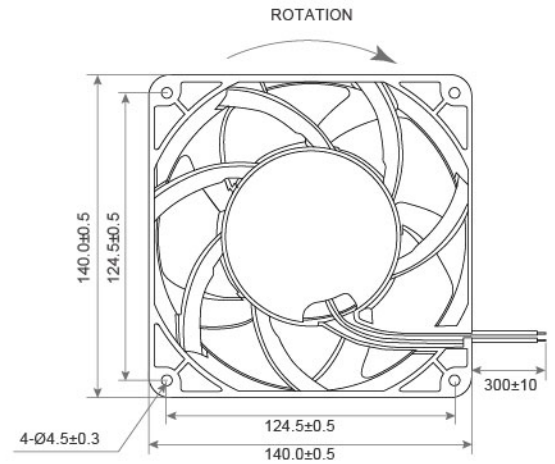
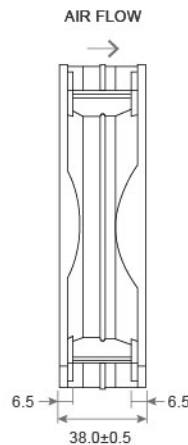


DC Axial Fan

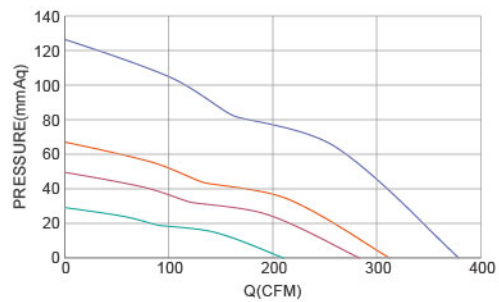
TRF14038 B SERIES 140X140X38mm

DIMENSIONS DRAWING UNIT : mm



- Frame : Aluminum
外框材質：鋁框
- Impeller : Thermoplastic PBT UL94-V0
扇葉材質：環保防火PBT
- Bearing : ※Sleeve · ★WRB · ◎Two Ball Bearing
軸承：※含油 · ★WRB · ◎滾珠軸承
- Unit Weight : 700g
風扇單體重量：700克

P&Q Curve At Rated Voltage

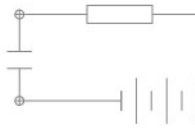


Model No.	Bearing Type	Voltage (VDC)	Current (A)	Power (W)	Speed (RPM)	Air Flow (CFM)	Air Flow (m ³ /min)	Air Pressure (mmH ₂ O)	Air Pressure (Inch H ₂ O)	Noise (dBA)
TRF14038x12L	※◎★	12 (7.2-13.8)	1.4	16.8	5200	212.0	6.02	30.48	1.20	62.0
TRF14038x12M	※◎★	12 (7.2-13.8)	2.8	33.6	6650	272.0	7.72	49.02	1.93	67.0
TRF14038x12H	※◎★	12 (7.2-13.8)	4.2	50.4	7600	310.0	8.80	65.27	2.57	70.0
TRF14038x12VH	※◎★	12 (7.2-13.8)	8.0	96.0	9200	375.0	10.65	127.25	5.01	78.0
TRF14038x24L	※◎★	24 (14.5~27.5)	0.7	16.8	5200	212.0	6.02	30.48	1.20	62.0
TRF14038x24M	※◎★	24 (14.5~27.5)	1.4	33.6	6650	272.0	7.72	49.02	1.93	67.0
TRF14038x24H	※◎★	24 (14.5~27.5)	2.1	50.4	7600	310.0	8.80	65.27	2.57	70.0
TRF14038x24VH	※◎★	24 (14.5~27.5)	4.0	96.0	9200	375.0	10.65	127.25	5.01	78.0
TRF14038x48L	※◎★	48 (29.0~55.0)	0.4	16.8	5200	212.0	6.02	30.48	1.20	62.0
TRF14038x48M	※◎★	48 (29.0~55.0)	0.7	33.6	6650	272.0	7.72	49.02	1.93	67.0
TRF14038x48H	※◎★	48 (29.0~55.0)	1.1	50.4	7600	310.0	8.80	65.27	2.57	70.0
TRF14038x48VH	※◎★	48 (29.0~55.0)	2.0	96.0	9200	375.0	10.65	127.25	5.01	78.0

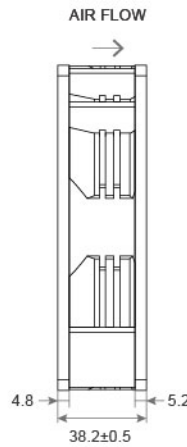
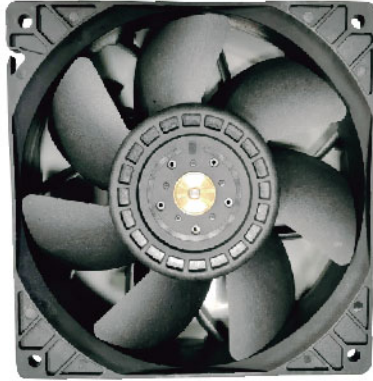
◎ Bearing System ※ : Sleeve ★ : WRB ◎ : Ball

★如果您需要的轉速或電壓或功能不在這份清單上，請與我們業務聯繫 Please contact us, if the SPEC you need is not in the list.

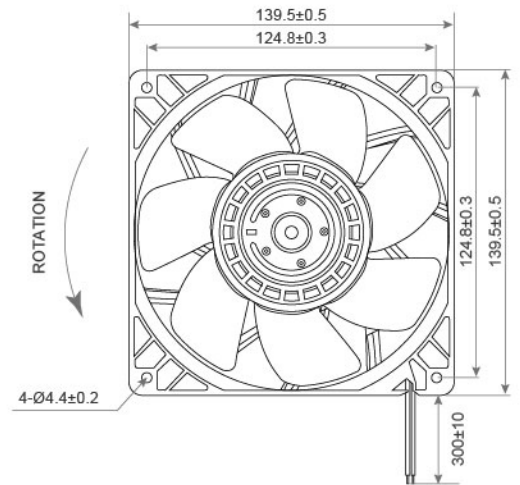
★產品詳細數據及功能請參閱承認書 Please see the approval sheet for more information . ★產品規格變更不另行通知 Specifications are subject to change without notice. A110



DC Axial Fan TRF14038 A SERIES 140X140X38mm

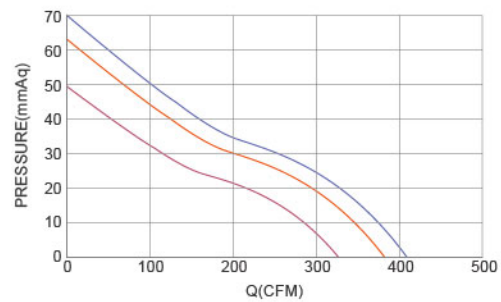


DIMENSIONS DRAWING UNIT : mm



- Frame : Thermoplastic PBT UL94-V0
外框材質：環保防火PBT
- Impeller : Thermoplastic PBT UL94-V0
扇葉材質：環保防火PBT
- Bearing : ※Sleeve · ★WRB · ◎Two Ball Bearing
軸承：※含油 · ★WRB · ◎滾珠軸承
- Unit Weight : 488g
風扇單體重量：488克

P&Q Curve At Rated Voltage



Model No.	Bearing Type	Voltage (VDC)	Current (A)	Power (W)	Speed (RPM)	Air Flow (CFM)	Air Flow (m ³ /min)	Air Pressure (mmH ₂ O)	Air Pressure (Inch H ₂ O)	Noise (dBA)
TRF14038x12L	※★◎	12 (7.2-13.8)	4.01	48.0	5000	325.2	9.24	49.78	1.96	68.0
TRF14038x12M	※★◎	12 (7.2-13.8)	6.02	72.1	6000	381.2	10.83	64.77	2.55	74.5
TRF14038x12H	※★◎	12 (7.2-13.8)	7.01	84.0	6500	410.1	11.65	69.85	2.75	76.5
TRF14038x24L	※★◎	24 (14.5~27.5)	2.00	48.0	5000	325.2	9.24	49.78	1.96	68.0
TRF14038x24M	※★◎	24 (14.5~27.5)	3.01	72.1	6000	381.2	10.83	64.77	2.55	74.5
TRF14038x24H	※★◎	24 (14.5~27.5)	3.50	84.0	6500	410.1	11.65	69.85	2.75	76.5
TRF14038x48L	※★◎	48 (29.0~55.0)	1.00	48.0	5000	325.2	9.24	49.78	1.96	68.0
TRF14038x48M	※★◎	48 (29.0~55.0)	1.50	72.1	6000	381.2	10.83	64.77	2.55	74.5
TRF14038x48H	※★◎	48 (29.0~55.0)	1.75	84.0	6500	410.1	11.65	69.85	2.75	76.5

⊗ Bearing System ※ : Sleeve ★ : WRB ◎ : Ball

★如果您需要的轉速或電壓或功能不在這份清單上，請與我們業務聯繫 Please contact us, if the SPEC you need is not in the list.

■ A109★產品詳細數據及功能請參閱承認書 Please see the approval sheet for more information . ★產品規格變更不另行通知 Specifications are subject to change without notice.