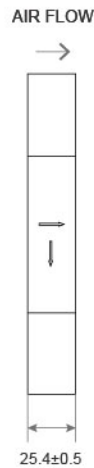
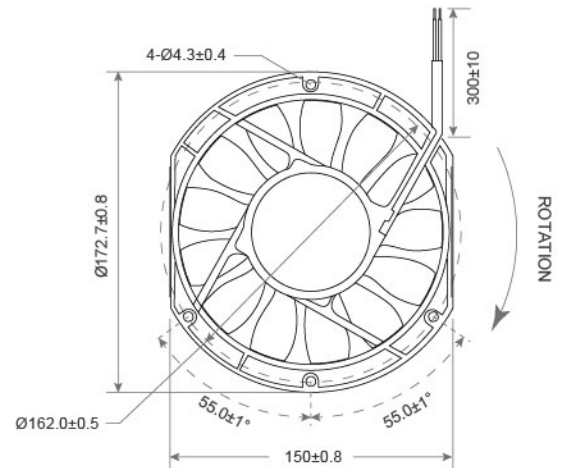


DC Axial Fan TRF17225 A SERIES 172X150X25mm

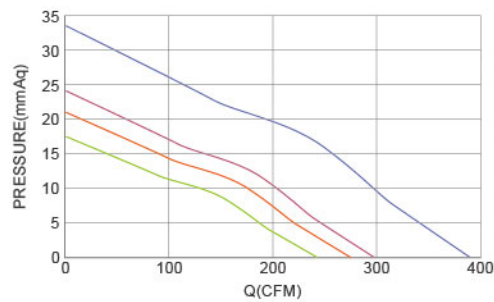


DIMENSIONS DRAWING UNIT : mm



- Frame : Aluminum
外框材質：鋁框
- Impeller : Thermoplastic PBT UL94-V0
扇葉材質：環保防火PBT
- Bearing : ※Sleeve · ★WRB · ◎Two Ball Bearing
軸承：※含油 · ★WRB · ◎滾珠軸承
- Unit Weight : 400g
風扇單體重量：400克

P&Q Curve At Rated Voltage



Model No.	Bearing Type	Voltage (VDC)	Current (A)	Power (W)	Speed (RPM)	Air Flow (CFM)	Air Flow (m ³ /min)	Air Pressure (mmH ₂ O)	Air Pressure (Inch H ₂ O)	Noise (dBA)
TRF17225x12L	※◎★	12 (8.5-13.2)	1.00	12.00	3000	206	5.85	13.42	0.53	57.5
TRF17225x12M	※◎★	12 (8.5-13.2)	2.10	25.20	3500	244	6.93	17.74	0.70	61.5
TRF17225x12H	※◎★	12 (8.5-13.2)	2.88	34.56	3900	275	7.81	21.37	0.84	65.5
TRF17225x12VH	※◎★	12 (8.5-13.2)	3.20	38.40	4200	298	8.46	23.20	0.91	67.5
TRF17225x24L	※◎★	24 (14.5~26.2)	0.50	12.00	3000	206	5.85	13.42	0.53	57.5
TRF17225x24M	※◎★	24 (14.5~26.2)	1.05	25.20	3500	244	6.93	17.74	0.70	61.5
TRF17225x24H	※◎★	24 (14.5~26.2)	1.44	34.56	3900	275	7.81	21.37	0.84	65.5
TRF17225x24VH	※◎★	24 (14.5~26.2)	1.60	38.40	4200	298	8.46	23.20	0.91	67.5
TRF17225x24SH	※◎★	24 (14.5~26.2)	2.10	52.80	5200	390	11.08	33.27	1.31	71.5
TRF17225x48L	※◎★	48 (36.0~55.2)	0.25	12.00	3000	206	5.85	13.42	0.53	57.5
TRF17225x48M	※◎★	48 (36.0~55.2)	0.53	25.44	3500	244	6.93	17.74	0.70	61.5
TRF17225x48H	※◎★	48 (36.0~55.2)	0.72	34.56	3900	275	7.81	21.37	0.84	65.5
TRF17225x48VH	※◎★	48 (36.0~55.2)	0.80	38.40	4200	298	8.46	23.20	0.91	67.5
TRF17225x48SH	※◎★	48 (36.0~55.2)	1.10	52.80	5200	390	11.08	33.27	1.31	71.5

◎ Bearing System ※ : Sleeve ★ : WRB ◎ : Ball

★如果您需要的轉速或電壓或功能不在這份清單上，請與我們業務聯繫 Please contact us, if the SPEC you need is not in the list.

★產品詳細數據及功能請參閱承認書 Please see the approval sheet for more information . ★產品規格變更不另行通知 Specifications are subject to change without notice. A116