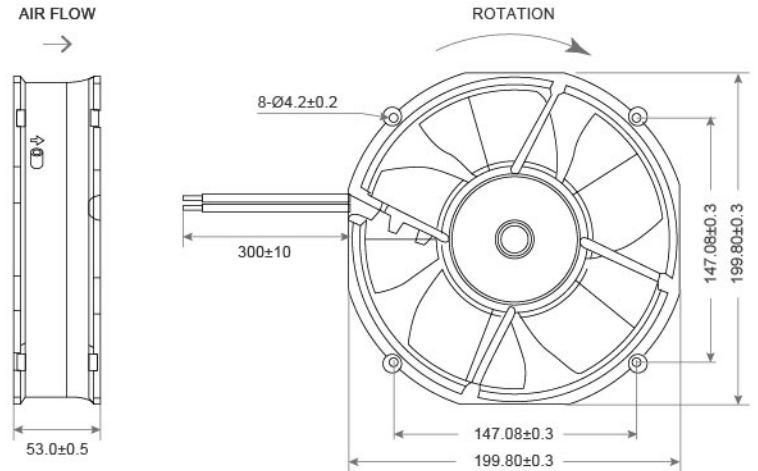


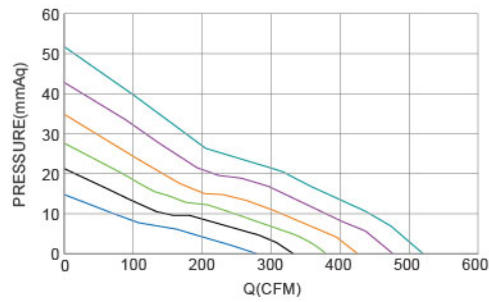
# DC Axial Fan TRS20053 SERIES 200X200X53mm

DIMENSIONS DRAWING UNIT : mm



- Frame : Aluminum  
外框材質：鋁框
- Impeller : Thermoplastic PBT UL94-V0  
扇葉材質：環保防火PBT
- Bearing : ※Sleeve · ★WRB · ◎Two Ball Bearing  
軸承：※含油 · ★WRB · ◎滾珠軸承
- Unit Weight : 1300g  
風扇單體重量：1300克

P&Q Curve At Rated Voltage

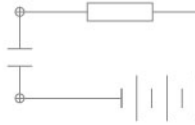


Model No.	Bearing Type	Voltage (VDC)	Current (A)	Power (W)	Speed (RPM)	Air Flow (CFM)	Air Flow (m <sup>3</sup> /min)	Air Pressure (mmH <sub>2</sub> O)	Air Pressure (Inch H <sub>2</sub> O)	Noise (dBA)
TRS20053B12D	※◎★	12 (7.0~14.0)	1.55	18.50	3000	283.32	8.01	15.48	0.61	56.5
TRS20053B12L	※◎★	12 (7.0~14.0)	2.00	24.00	3500	330.54	9.53	21.07	0.83	60.1
TRS20053B12M	※◎★	12 (7.0~14.0)	2.70	32.40	4000	377.76	10.69	27.52	1.08	63.4
TRS20053B12H	※◎★	12 (7.0~14.0)	3.50	41.50	4500	424.98	12.02	34.83	1.37	66.7
TRS20053B24D	※◎★	24 (15.0~27.0)	0.77	18.50	3000	283.32	8.01	15.48	0.61	56.5
TRS20053B24L	※◎★	24 (15.0~27.0)	1.00	24.00	3500	330.54	9.53	21.07	0.83	60.1
TRS20053B24M	※◎★	24 (15.0~27.0)	1.50	36.00	4000	377.76	10.69	27.52	1.08	63.4
TRS20053B24H	※◎★	24 (15.0~27.0)	1.73	41.50	4500	424.98	12.02	34.83	1.37	66.7
TRS20053B24VH	※◎★	24 (15.0~27.0)	2.23	53.50	5000	472.20	13.36	43.00	1.69	68.5
TRS20053B24SH	※◎★	24 (15.0~27.0)	2.87	68.90	5500	519.42	14.69	52.30	2.05	71.9
TRS20053B48D	※◎★	48 (35.0~57.0)	0.39	18.50	3000	283.32	8.01	15.48	0.61	56.5
TRS20053B48L	※◎★	48 (35.0~57.0)	0.50	24.00	3500	330.54	9.53	21.07	0.83	60.1
TRS20053B48M	※◎★	48 (35.0~57.0)	0.68	32.40	4000	377.76	10.69	27.52	1.08	63.4
TRS20053B48H	※◎★	48 (35.0~57.0)	0.86	41.50	4500	424.98	12.02	34.83	1.37	66.7
TRS20053B48VH	※◎★	48 (35.0~57.0)	1.12	53.50	5000	472.20	13.36	43.00	1.69	68.5
TRS20053B48SH	※◎★	48 (35.0~57.0)	1.43	68.90	5500	519.42	14.69	52.30	2.05	71.9

◎ Bearing System ※ : Sleeve ★ : WRB ◎ : Ball

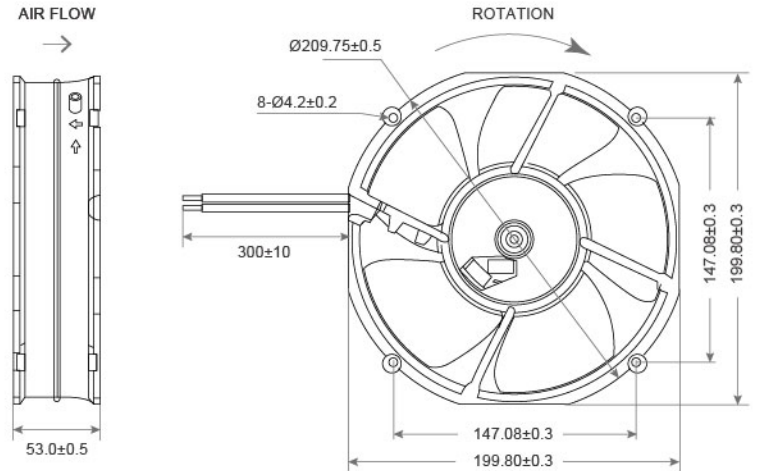
★如果您需要的轉速或電壓或功能不在這份清單上，請與我們業務聯繫 Please contact us, if the SPEC you need is not in the list.

★產品詳細數據及功能請參閱承認書 Please see the approval sheet for more information . ★產品規格變更不另行通知 Specifications are subject to change without notice. A132



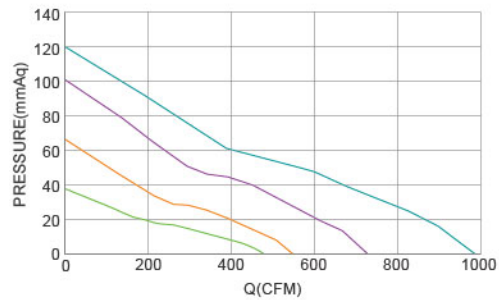
# DC Axial Fan TRF20053 A SERIES 200X200X53mm

DIMENSIONS DRAWING UNIT : mm



- Frame : Aluminum  
外框材質：鋁框
- Impeller : Thermoplastic PBT UL94-V0  
扇葉材質：環保防火PBT
- Bearing : ※ Sleeve · ★ WRB · ◎ Two Ball Bearing  
軸承：※含油 · ★WRB · ◎滾珠軸承
- Unit Weight : 1188g  
風扇單體重量：1188克

P&Q Curve At Rated Voltage



Model No.	Bearing Type	Voltage (VDC)	Current (A)	Power (W)	Speed (RPM)	Air Flow (CFM)	Air Flow (m <sup>3</sup> /min)	Air Pressure (mmH <sub>2</sub> O)	Air Pressure (Inch H <sub>2</sub> O)	Noise (dBA)
TRF20053x12M	※◎★	12 (8.5~13.5)	2.91	35.0	4250	465.0	13.2	37.85	1.49	62.0
TRF20053x12H	※◎★	12 (8.5~13.5)	4.00	48.1	5000	553.0	15.7	67.31	2.65	66.0
TRF20053x24M	※◎★	24 (18.5~32.0)	1.45	35.0	4250	465.0	13.2	37.85	1.49	62.0
TRF20053x24H	※◎★	24 (18.5~32.0)	2.00	48.1	5000	553.0	15.7	67.31	2.65	66.0
TRF20053x24SH	※◎★	24 (18.5~32.0)	4.50	108.0	6500	718.0	20.4	101.85	4.01	73.0
TRF20053x24UH	※◎★	24 (18.5~32.0)	9.20	220.8	8200	995.1	28.3	122.10	4.80	82.0
TRF20053x48M	※◎★	48 (36.0~72.0)	0.72	35.0	4250	465.0	13.2	37.85	1.49	62.0
TRF20053x48H	※◎★	48 (36.0~72.0)	1.00	48.1	5000	553.0	15.7	67.31	2.65	66.0
TRF20053x48SH	※◎★	48 (36.0~72.0)	2.25	108.0	6500	718.0	20.4	101.85	4.01	73.0
TRF20053x48UH	※◎★	48 (36.0~72.0)	4.60	220.8	8200	995.1	28.3	122.10	4.80	82.0

◎ Bearing System ※ : Sleeve ★ : WRB ◎ : Ball

★如果您需要的轉速或電壓或功能不在這份清單上，請與我們業務聯繫 Please contact us, if the SPEC you need is not in the list.

■ A133★產品詳細數據及功能請參閱承認書 Please see the approval sheet for more information . ★產品規格變更不另行通知 Specifications are subject to change without notice.