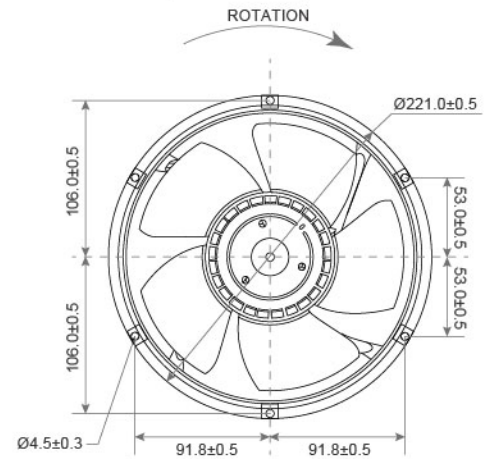


# DC Axial Fan TRF22060 SERIES Ø220X60mm

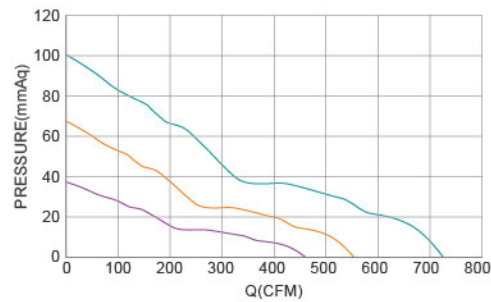


DIMENSIONS DRAWING UNIT : mm



- Frame : Aluminum  
外框材質 : 鋁框
- Impeller : Thermoplastic PBT UL94-V0  
扇葉材質 : 環保防火PBT
- Bearing : ※ Sleeve · ★ WRB · ◎ Two Ball Bearing  
軸承 : ※ 含油 · ★ WRB · ◎ 滾珠軸承
- Unit Weight : 2450g  
風扇單體重量 : 2450克

P&Q Curve At Rated Voltage



Model No.	Bearing Type	Voltage (VDC)	Current (A)	Power (W)	Speed (RPM)	Air Flow (CFM)	Air Flow (m <sup>3</sup> /min)	Air Pressure (mmH <sub>2</sub> O)	Air Pressure (Inch H <sub>2</sub> O)	Noise (dBA)
TRF22060x12SH	※◎★	12 (8.5~13.5)	2.91	35.0	4250	465.0	13.20	37.85	1.49	62.0
TRF22060x12UH	※◎★	12 (8.5~13.5)	4.00	48.0	5000	553.0	15.70	67.31	2.65	66.0
TRF22060x12HH	※◎★	12 (8.5~13.5)	8.58	103.0	6500	718.0	20.39	101.85	4.01	72.0
TRF22060x24SH	※◎★	24 (14.5~27.5)	1.45	35.0	4250	465.0	13.20	37.85	1.49	62.0
TRF22060x24UH	※◎★	24 (14.5~27.5)	2.00	48.0	5000	553.0	15.70	67.31	2.65	66.0
TRF22060x24HH	※◎★	24 (14.5~27.5)	4.29	103.0	6500	718.0	20.39	101.85	4.01	72.0
TRF22060x48SH	※◎★	48 (29.0~55.0)	0.72	35.0	4250	465.0	13.20	37.85	1.49	62.0
TRF22060x48UH	※◎★	48 (29.0~55.0)	1.00	48.0	5000	553.0	15.70	67.31	2.65	66.0
TRF22060x48HH	※◎★	48 (29.0~55.0)	2.14	103.0	6500	718.0	20.39	101.85	4.01	72.0

◎ Bearing System ※ : Sleeve ★ : WRB ◎ : Ball

★如果您需要的轉速或電壓或功能不在這份清單上，請與我們業務聯繫 Please contact us, if the SPEC you need is not in the list.

★產品詳細數據及功能請參閱承認書 Please see the approval sheet for more information . ★產品規格變更不另行通知 Specifications are subject to change without notice. A138