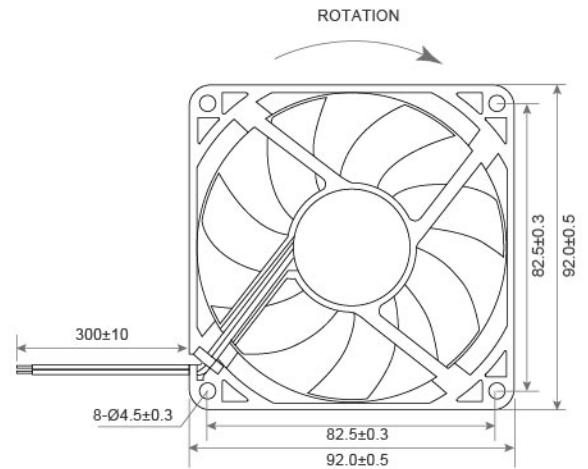
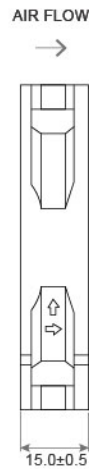


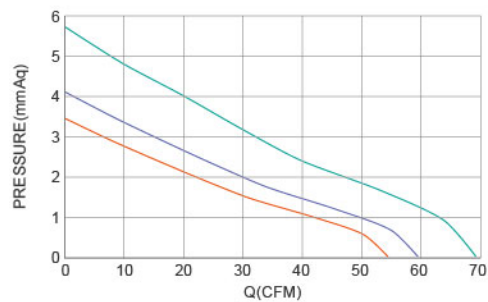
DC Axial Fan TRF9220 SERIES 92X92X20mm

DIMENSIONS DRAWING UNIT : mm



- Frame : Thermoplastic PBT UL94-V0
外框材質：環保防火PBT
- Impeller : Thermoplastic PBT UL94-V0
扇葉材質：環保防火PBT
- Bearing : ※ Sleeve · ★ WRB · ◎ Two Ball Bearing
軸承：※ 含油 · ★ WRB · ◎ 滾珠軸承
- Unit Weight : 92g
風扇單體重量：92克

P&Q Curve At Rated Voltage



Model No.	Bearing Type	Voltage (VDC)	Current (A)	Power (W)	Speed (RPM)	Air Flow (CFM)	Air Flow (m ³ /min)	Air Pressure (mmH ₂ O)	Air Pressure (Inch H ₂ O)	Noise (dBA)
TRF9220x12D	※★◎	12 (7.2-13.8)	0.08	0.96	2100	41.00	1.16	2.13	0.08	28.5
TRF9220x12L	※★◎	12 (7.2-13.8)	0.10	1.20	2400	47.14	1.34	2.74	0.11	32.0
TRF9220x12M	※★◎	12 (7.2-13.8)	0.16	1.92	2700	54.60	1.55	3.51	0.14	35.0
TRF9220x12H	※★◎	12 (7.2-13.8)	0.24	2.88	3000	59.54	1.69	4.22	0.17	38.0
TRF9220x12VH	※★◎	12 (7.2-13.8)	0.28	3.36	3300	66.11	1.87	5.03	0.20	40.5
TRF9220x24D	※★◎	24 (14.5~27.5)	0.06	1.44	2100	41.00	1.16	2.13	0.08	28.5
TRF9220x24L	※★◎	24 (14.5~27.5)	0.08	1.92	2400	47.14	1.34	2.74	0.11	32.0
TRF9220x24M	※★◎	24 (14.5~27.5)	0.10	2.40	2700	54.60	1.55	3.51	0.14	35.0
TRF9220x24H	※★◎	24 (14.5~27.5)	0.13	3.12	3000	59.54	1.69	4.22	0.17	38.0
TRF9220x24VH	※★◎	24 (14.5~27.5)	0.16	3.84	3300	66.11	1.87	5.03	0.20	40.5

⊗ Bearing System ※ : Sleeve ★ : WRB ◎ : Ball

★如果您需要的轉速或電壓或功能不在這份清單上，請與我們業務聯繫 Please contact us, if the SPEC you need is not in the list.

■ A73 ★產品詳細數據及功能請參閱承認書 Please see the approval sheet for more information . ★產品規格變更不另行通知 Specifications are subject to change without notice.