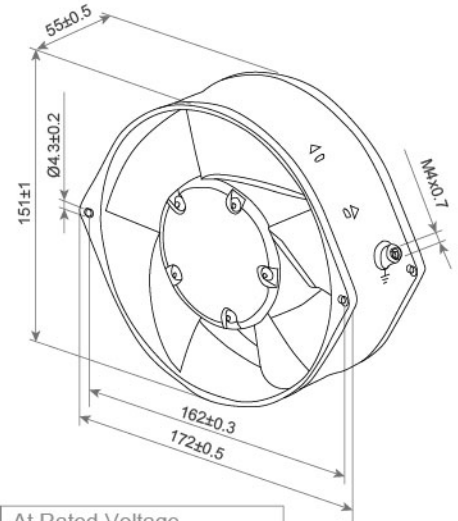
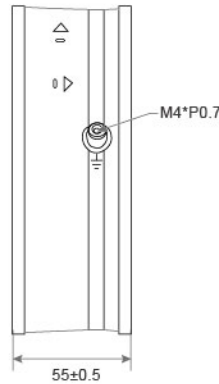


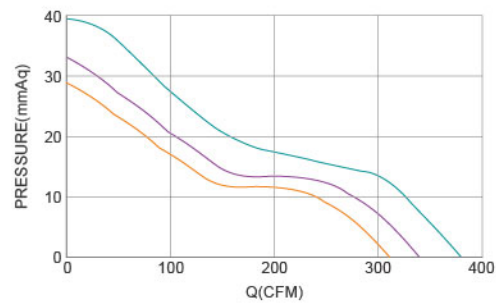
DC Axial Fan TRL15155 SERIES 172X151X55mm

DIMENSIONS DRAWING UNIT : mm



- Frame : Aluminum
外框材質 : 鋁框
- Impeller : Thermoplastic PBT UL94-V0
扇葉材質 : 環保防火PBT
- Bearing : ◎Two Ball Bearing
軸承 : ◎滾珠軸承
- Ingress Protection : Optional IP54 or IP56 or IP68
防護等級 : 可選擇 IP54 或 IP56 或 IP68

P&Q Curve At Rated Voltage

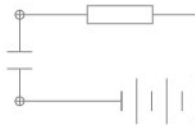


Model No.	Bearing Type	Voltage (VDC)	Current (A)	Power (W)	Speed (RPM)	Air Flow (CFM)	Air Flow (m ³ /min)	Air Pressure (mmH ₂ O)	Air Pressure (Inch H ₂ O)	Noise (dBA)
TRL15155B12SD	◎	12	1.31	15.72	2800	205.0	5.80	14.0	0.55	53.0
TRL15155B12D	◎	12	1.88	22.56	3200	240.0	6.79	18.3	0.72	57.0
TRL15155B12L	◎	12	2.75	33.00	3600	275.0	7.79	22.9	0.90	61.0
TRL15155B12M	◎	12	3.73	44.76	4000	310.0	8.78	28.2	1.11	65.0
TRL15155B24SD	◎	24	0.65	15.60	2800	205.0	5.80	14.0	0.55	53.0
TRL15155B24D	◎	24	0.89	21.36	3200	240.0	6.79	18.3	0.72	57.0
TRL15155B24L	◎	24	1.21	29.04	3600	275.0	7.79	22.9	0.90	61.0
TRL15155B24M	◎	24	1.69	40.56	4000	310.0	8.78	28.2	1.11	65.0
TRL15155B24H	◎	24	2.41	57.84	4400	340.0	9.63	33.5	1.32	69.0
TRL15155B24VH	◎	24	2.94	70.56	4800	375.0	10.62	39.6	1.56	73.0
TRL15155B48SD	◎	48	0.33	15.84	2800	205.0	5.80	5.6	0.22	53.0
TRL15155B48D	◎	48	0.45	21.60	3200	240.0	6.79	18.3	0.72	57.0
TRL15155B48L	◎	48	0.6	28.80	3600	275.0	7.79	22.9	0.90	61.0
TRL15155B48M	◎	48	0.79	37.92	4000	310.0	8.78	28.2	1.11	65.0
TRL15155B48H	◎	48	1.15	55.20	4400	340.0	9.63	33.5	1.32	69.0
TRL15155B48VH	◎	48	1.48	71.04	4800	375.0	10.62	39.6	1.56	73.0

⊗ Bearing System ※ : Sleeve ★ : WRB ◎ : Ball

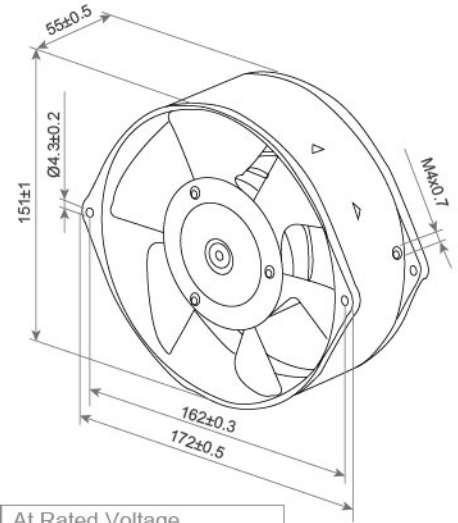
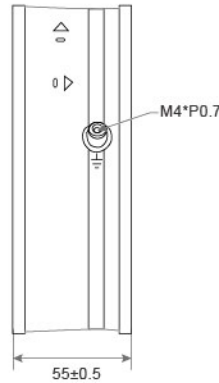
★如果您需要的轉速或電壓或功能不在這份清單上，請與我們業務聯繫 Please contact us, if the SPEC you need is not in the list.

■ A129★產品詳細數據及功能請參閱承認書 Please see the approval sheet for more information . ★產品規格變更不另行通知 Specifications are subject to change without notice.



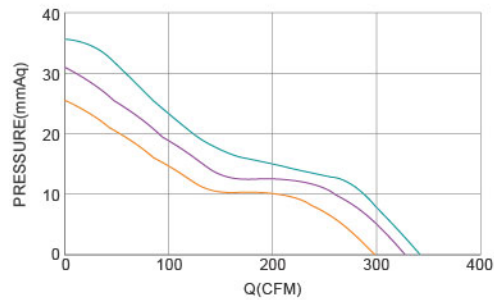
DC Axial Fan TRL15155 B SERIES 172X151X55mm

DIMENSIONS DRAWING UNIT : mm



- Frame : Aluminum
外框材質：鋁框
- Impeller : Metal
扇葉材質：金屬葉
- Bearing : ◎Two Ball Bearing
軸承：◎滾珠軸承
- Ingress Protection : Optional IP54 or IP56 or IP68
防護等級：可選擇 IP54 or IP56 or IP68

P&Q Curve At Rated Voltage

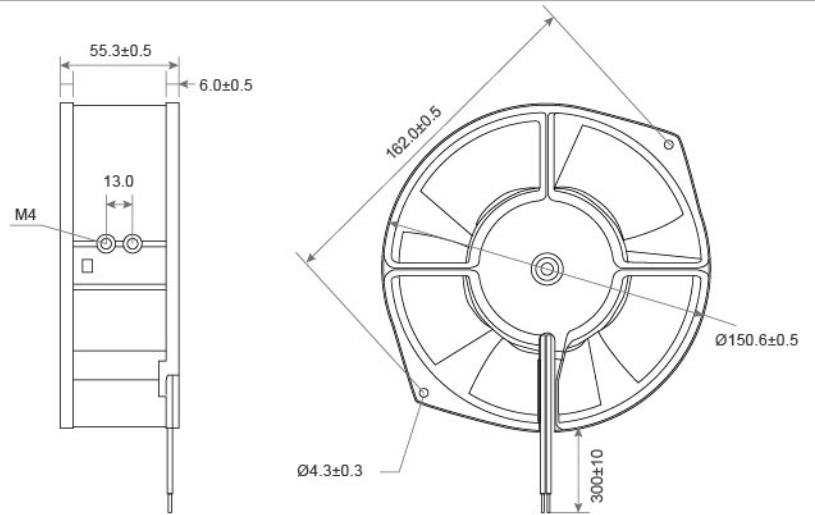
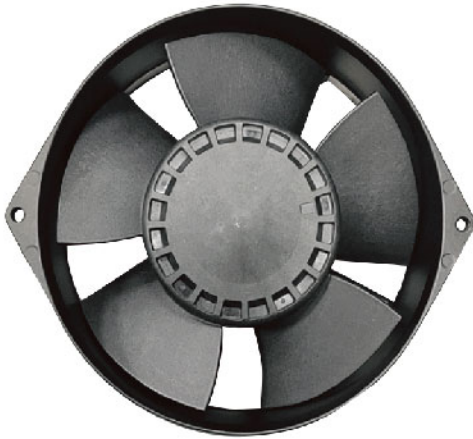
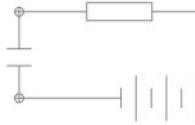


Model No.	Bearing Type	Voltage (VDC)	Current (A)	Power (W)	Speed (RPM)	Air Flow (CFM)	Air Flow (m ³ /min)	Air Pressure (mmH ₂ O)	Air Pressure (Inch H ₂ O)	Noise (dBA)
TRL15155B12SD.M	◎	12	1.17	14.04	2800	195.0	5.52	12.2	0.48	59.0
TRL15155B12D.M	◎	12	1.60	19.20	3200	230.0	6.51	16.0	0.63	62.0
TRL15155B12L.M	◎	12	2.39	28.68	3600	260.0	7.36	20.6	0.81	65.0
TRL15155B12M.M	◎	12	2.76	33.12	4000	295.0	8.35	25.7	1.01	68.0
TRL15155B24SD.M	◎	24	0.56	13.44	2800	195.0	5.52	12.2	0.48	59.0
TRL15155B24D.M	◎	24	0.77	18.48	3200	230.0	6.51	16.0	0.63	62.0
TRL15155B24L.M	◎	24	1.07	25.68	3600	260.0	7.36	20.6	0.81	65.0
TRL15155B24M.M	◎	24	1.38	33.12	4000	295.0	8.35	25.7	1.01	68.0
TRL15155B24H.M	◎	24	1.80	43.20	4400	325.0	9.20	30.7	1.21	71.0
TRL15155B24VH.M	◎	24	2.30	55.20	4800	345.0	9.77	35.8	1.41	74.0
TRL15155B48SD.M	◎	48	0.28	13.44	2800	195.0	5.52	12.2	0.48	59.0
TRL15155B48D.M	◎	48	0.39	18.72	3200	230.0	6.51	16.0	0.63	62.0
TRL15155B48L.M	◎	48	0.51	24.48	3600	260.0	7.36	20.6	0.81	65.0
TRL15155B48M.M	◎	48	0.69	33.12	4000	295.0	8.35	25.7	1.01	68.0
TRL15155B48H.M	◎	48	0.90	43.20	4400	325.0	9.20	30.7	1.21	71.0
TRL15155B48VH.M	◎	48	1.18	56.64	4800	345.0	9.77	35.8	1.41	74.0

⊗ Bearing System ※ : Sleeve ★ : WRB ◎ : Ball

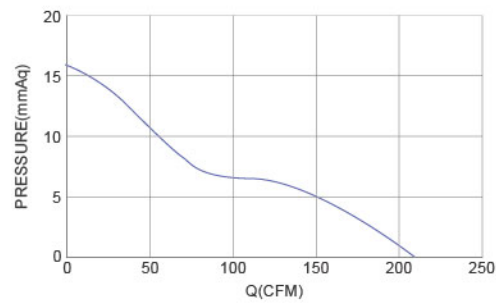
★如果您需要的轉速或電壓或功能不在這份清單上，請與我們業務聯繫 Please contact us, if the SPEC you need is not in the list.

★產品詳細數據及功能請參閱承認書 Please see the approval sheet for more information . ★產品規格變更不另行通知 Specifications are subject to change without notice. A130



- Frame : Aluminum
外框材質：鋁框
- Impeller : Thermoplastic PBT UL94-V0
扇葉材質：環保防火PBT
- Bearing : ※Sleeve · ★WRB · ◎Two Ball Bearing
軸承：※含油 · ★WRB · ◎滾珠軸承
- Unit Weight : 710g
風扇單體重量：710克

P&Q Curve At Rated Voltage



Model No.	Bearing Type	Voltage (VDC)	Current (A)	Power (W)	Speed (RPM)	Air Flow (CFM)	Air Flow (m ³ /min)	Air Pressure (mmH ₂ O)	Air Pressure (Inch H ₂ O)	Noise (dBA)
TRL15155x12M	※◎★	12 (8.0-13.2)	1.0	12.0	3050	212	6.59	15.75	0.62	53.0
TRL15155x24M	※◎★	24 (14.5-27.2)	0.5	12.0	3050	212	6.59	15.75	0.62	53.0
TRL15155x48M	※◎★	48 (36.0-72.0)	0.3	12.0	3050	212	6.59	15.75	0.62	53.0

⊗ Bearing System ※ : Sleeve ★ : WRB ◎ : Ball

★如果您需要的轉速或電壓或功能不在這份清單上，請與我們業務聯繫 Please contact us, if the SPEC you need is not in the list.

■ A131★產品詳細數據及功能請參閱承認書 Please see the approval sheet for more information . ★產品規格變更不另行通知 Specifications are subject to change without notice.