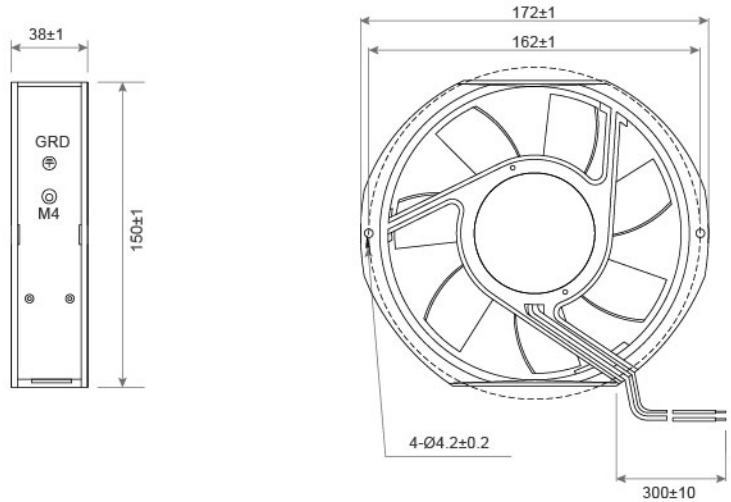


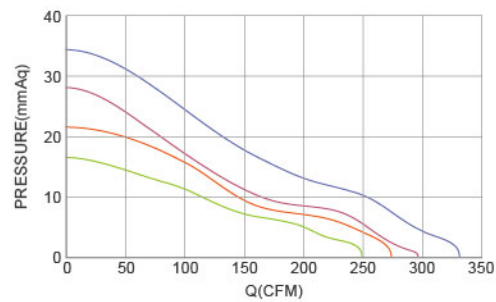
DC Axial Fan TRL17238 U SERIES 172x150x38mm

DIMENSIONS DRAWING UNIT : mm



- Frame : Aluminum
外框材質 : 鋁框
- Impeller : Thermoplastic PBT UL94-V0
扇葉材質 : 環保防火PBT
- Bearing : ※ Sleeve · ★ WRB · ◎ Two Ball Bearing
軸承 : ※ 含油 · ★ WRB · ◎ 滾珠軸承
- Unit Weight : 515g
風扇單體重量 : 515克

P&Q Curve At Rated Voltage

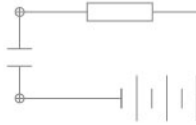


Model No.	Bearing Type	Voltage (VDC)	Current (A)	Power (W)	Speed (RPM)	Air Flow (CFM)	Air Flow (m ³ /min)	Air Pressure (mmH ₂ O)	Air Pressure (Inch H ₂ O)	Noise (dBA)
TRL17238x12D	※★◎	12 (7.5~13.5)	0.76	9.12	3000	222.17	6.29	16.38	0.65	60.9
TRL17238x12L	※★◎	12 (7.5~13.5)	0.98	11.76	3500	257.17	7.28	21.34	0.84	64.3
TRL17238x12M	※★◎	12 (7.5~13.5)	1.17	14.04	4000	297.16	8.41	27.94	1.10	68.4
TRL17238x12H	※★◎	24 (7.5~13.5)	3.00	36.00	4600	332.18	9.40	34.21	1.35	71.2
TRL17238x24D	※★◎	24 (18.0~26.5)	0.40	9.60	3000	222.17	6.29	16.38	0.65	60.9
TRL17238x24L	※★◎	24 (18.0~26.5)	0.50	12.00	3500	257.17	7.28	21.34	0.84	64.3
TRL17238x24M	※★◎	24 (18.0~26.5)	0.62	14.88	4000	297.16	8.41	27.94	1.10	68.4
TRL17238x24H	※★◎	24 (18.0~26.5)	1.60	38.40	4600	332.18	9.40	34.21	1.35	71.2
TRL17238x48D	※★◎	48 (36.0~54.0)	0.22	10.56	3000	222.17	6.29	16.38	0.65	60.9
TRL17238x48L	※★◎	48 (36.0~54.0)	0.27	12.96	3500	257.17	7.28	21.34	0.84	64.3
TRL17238x48M	※★◎	48 (36.0~54.0)	0.31	17.88	4000	297.16	8.41	27.94	1.10	68.4
TRL17238x48H	※★◎	48 (36.0~54.0)	0.80	38.40	4600	332.18	9.40	34.21	1.35	71.2

⊗ Bearing System ※ : Sleeve ★ : WRB ◎ : Ball

★如果您需要的轉速或電壓或功能不在這份清單上，請與我們業務聯繫 Please contact us, if the SPEC you need is not in the list.

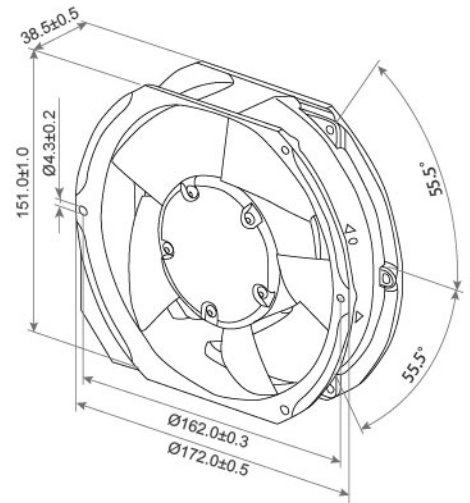
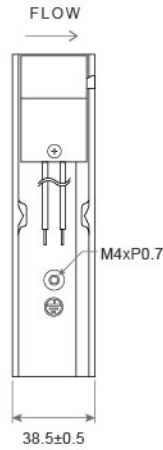
■ A117★產品詳細數據及功能請參閱承認書 Please see the approval sheet for more information . ★產品規格變更不另行通知 Specifications are subject to change without notice.



DC Axial Fan

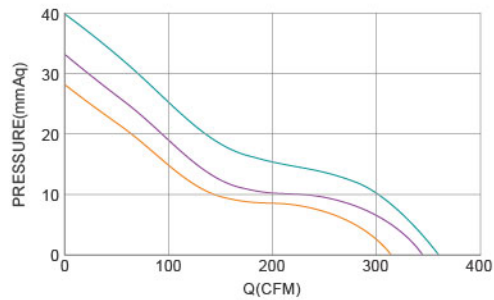
TRL17238 SERIES 172X151X38mm

DIMENSIONS DRAWING UNIT : mm



- Frame : Aluminum
外框材質：鋁框
- Impeller : Thermoplastic PBT UL94-V0
扇葉材質：環保防火PBT
- Bearing : ◎Two Ball Bearing
軸承：◎滾珠軸承
- Ingress Protection : Optional IP54 or IP56 or IP68
防護等級：可選擇 IP54 or IP56 or IP68

P&Q Curve At Rated Voltage

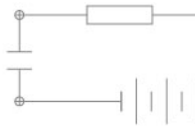


Model No.	Bearing Type	Voltage (VDC)	Current (A)	Power (W)	Speed (RPM)	Air Flow (CFM)	Air Flow (m ³ /min)	Air Pressure (mmH ₂ O)	Air Pressure (Inch H ₂ O)	Noise (dBA)
TRL17238B12SD	◎	12 (7.0~14.0)	1.10	13.20	2800	210.0	5.94	14.48	0.57	52.0
TRL17238B12D	◎	12 (7.0~14.0)	1.59	19.08	3200	245.0	6.93	18.54	0.73	56.0
TRL17238B12L	◎	12 (7.0~14.0)	2.34	28.08	3600	275.0	7.78	23.12	0.91	60.0
TRL17238B12M	◎	12 (7.0~14.0)	3.33	39.96	4000	310.0	8.77	28.45	1.12	64.0
TRL17238B24SD	◎	24 (15.0~27.0)	0.54	12.96	2800	210.0	5.94	14.48	0.57	52.0
TRL17238B24D	◎	24 (15.0~27.0)	0.78	18.72	3200	245.0	6.93	18.54	0.73	56.0
TRL17238B24L	◎	24 (15.0~27.0)	1.08	25.92	3600	275.0	7.78	23.12	0.91	60.0
TRL17238B24M	◎	24 (15.0~27.0)	1.38	33.12	4000	310.0	8.77	28.45	1.12	64.0
TRL17238B24H	◎	24 (15.0~27.0)	1.91	45.84	4400	340.0	9.62	33.53	1.32	68.0
TRL17238B24VH	◎	24 (15.0~57.0)	2.34	56.16	4800	360.0	10.19	39.12	1.54	72.0
TRL17238B48SD	◎	48 (35.0~57.0)	0.28	13.44	2800	210.0	5.94	14.48	0.57	52.0
TRL17238B48D	◎	48 (35.0~57.0)	0.37	17.76	3200	245.0	6.93	18.54	0.73	56.0
TRL17238B48L	◎	48 (35.0~57.0)	0.52	24.96	3600	275.0	7.78	23.12	0.91	60.0
TRL17238B48M	◎	48 (35.0~57.0)	0.68	32.64	4000	310.0	8.77	28.45	1.12	64.0
TRL17238B48H	◎	48 (35.0~57.0)	0.90	43.20	4400	340.0	9.62	33.53	1.32	68.0
TRL17238B48VH	◎	48 (35.0~57.0)	1.13	54.24	4800	360.0	10.19	39.12	1.54	72.0

⊗ Bearing System ※ : Sleeve ★ : WRB ◎ : Ball

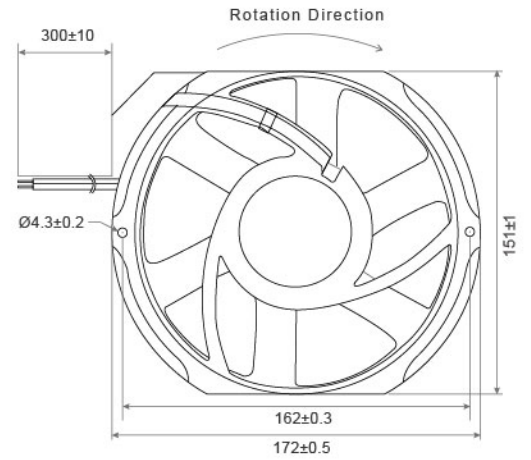
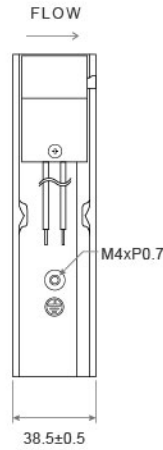
★如果您需要的轉速或電壓或功能不在這份清單上，請與我們業務聯繫 Please contact us, if the SPEC you need is not in the list.

★產品詳細數據及功能請參閱承認書 Please see the approval sheet for more information . ★產品規格變更不另行通知 Specifications are subject to change without notice. A118



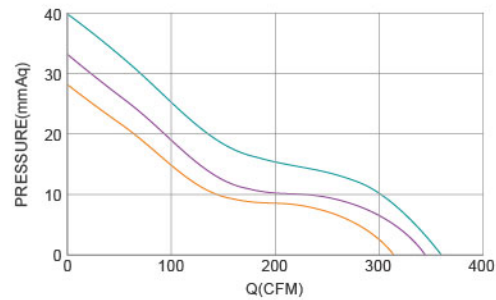
DC Axial Fan TRL17238 B SERIES 172X151X38mm

DIMENSIONS DRAWING UNIT : mm



- Frame : Aluminum
外框材質：鋁框
- Impeller : Metal
扇葉材質：金屬葉
- Bearing : ◎Two Ball Bearing
軸承：◎滾珠軸承
- Ingress Protection : Optional IP54 or IP56 or IP68
防護等級：可選擇 IP54 or IP56 or IP68

P&Q Curve At Rated Voltage



Model No.	Bearing Type	Voltage (VDC)	Current (A)	Power (W)	Speed (RPM)	Air Flow (CFM)	Air Flow (m ³ /min)	Air Pressure (mmH ₂ O)	Air Pressure (Inch H ₂ O)	Noise (dBA)
TRL17238B12SD.M	◎	12 (7.0~14.0)	1.10	13.20	2800	210.0	5.94	14.48	0.57	52.0
TRL17238B12D.M	◎	12 (7.0~14.0)	1.59	19.08	3200	245.0	6.93	18.54	0.73	56.0
TRL17238B12L.M	◎	12 (7.0~14.0)	2.34	28.08	3600	275.0	7.78	23.12	0.91	60.0
TRL17238B12M.M	◎	12 (7.0~14.0)	3.33	39.96	4000	310.0	8.77	28.45	1.12	64.0
TRL17238B24SD.M	◎	24 (15.0~27.0)	0.54	12.96	2800	210.0	5.94	14.48	0.57	52.0
TRL17238B24D.M	◎	24 (15.0~27.0)	0.78	18.72	3200	245.0	6.93	18.54	0.73	56.0
TRL17238B24L.M	◎	24 (15.0~27.0)	1.08	25.92	3600	275.0	7.78	23.12	0.91	60.0
TRL17238B24M.M	◎	24 (15.0~27.0)	1.38	33.12	4000	310.0	8.77	28.45	1.12	64.0
TRL17238B24H.M	◎	24 (15.0~27.0)	1.91	45.84	4400	340.0	9.62	33.53	1.32	68.0
TRL17238B24VH.M	◎	24 (15.0~57.0)	2.34	56.16	4800	360.0	10.19	39.12	1.54	72.0
TRL17238B48SD.M	◎	48 (35.0~57.0)	0.28	13.44	2800	210.0	5.94	14.48	0.57	52.0
TRL17238B48D.M	◎	48 (35.0~57.0)	0.37	17.76	3200	245.0	6.93	18.54	0.73	56.0
TRL17238B48L.M	◎	48 (35.0~57.0)	0.52	24.96	3600	275.0	7.78	23.12	0.91	60.0
TRL17238B48M.M	◎	48 (35.0~57.0)	0.68	32.64	4000	310.0	8.77	28.45	1.12	64.0
TRL17238B48H.M	◎	48 (35.0~57.0)	0.90	43.20	4400	340.0	9.62	33.53	1.32	68.0
TRL17238B48VH.M	◎	48 (35.0~57.0)	1.13	54.24	4800	360.0	10.19	39.12	1.54	72.0

⊗ Bearing System ※ : Sleeve ★ : WRB ◎ : Ball

★如果您需要的轉速或電壓或功能不在這份清單上，請與我們業務聯繫 Please contact us, if the SPEC you need is not in the list.

■ A119★產品詳細數據及功能請參閱承認書 Please see the approval sheet for more information . ★產品規格變更不另行通知 Specifications are subject to change without notice.