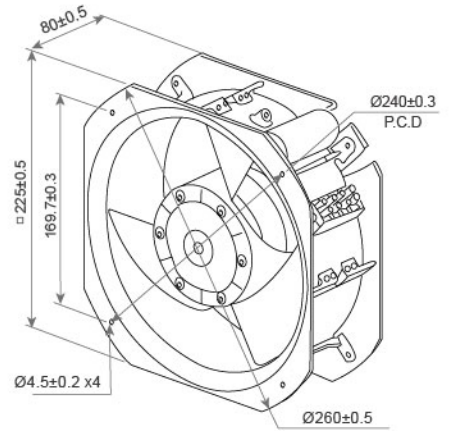
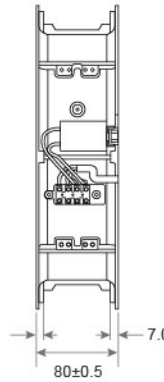
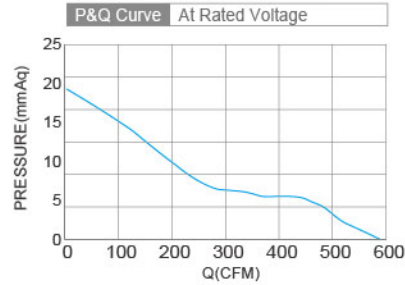


## DC Axial Fan TRL22580 SERIES 225X225X80mm

DIMENSIONS DRAWING UNIT : mm



- Frame : Aluminum  
外框材質：鋁框
- Impeller : Metal  
扇葉材質：金屬葉
- Bearing : ◎Two Ball bearing  
軸承：◎滾珠軸承
- Ingress Protection : Optional IP54 or IP56  
防護等級：可選擇 IP54 or IP56



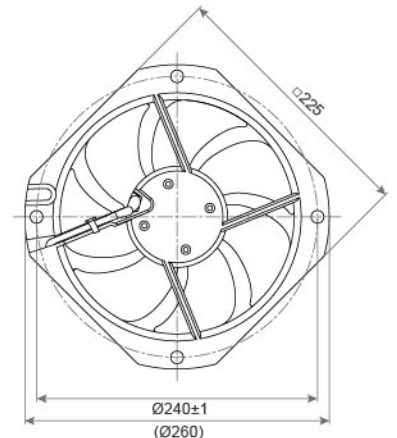
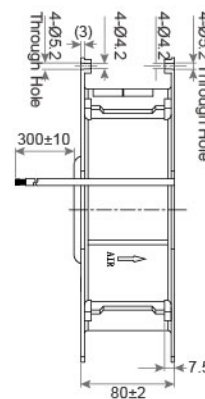
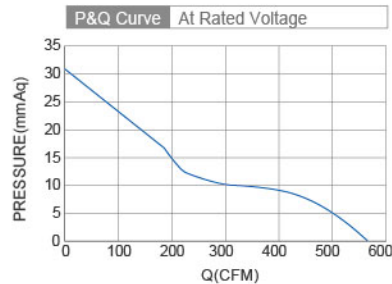
Model No.	Bearing Type	Voltage (VDC)	Current (A)	Power (W)	Speed (RPM)	Air Flow (CFM)	Air Flow (m <sup>3</sup> /min)	Air Pressure (mmH <sub>2</sub> O)	Air Pressure (Inch H <sub>2</sub> O)	Noise (dBA)
TRL22580B24SD.M	◎	24	2.20	52.8	2800	580.0	16.41	18.034	0.71	67.0
TRL22580B48SD.M	◎	48	1.10	52.8	2800	580.0	16.41	18.034	0.71	67.0

## DC Axial Fan TRL22580 AF SERIES 225X225X80mm

DIMENSIONS DRAWING UNIT : mm



- Frame : Sheet Aluminum  
外框材質：薄鋼板
- Impeller : Sheet Steel  
扇葉材質：薄鋼板
- Bearing : ◎Two Ball bearing  
軸承：◎滾珠軸承
- Ingress Protection : IP42  
防護等級：IP42



Model No.	Bearing Type	Voltage (VDC)	Current (A)	Power (W)	Speed (RPM)	Air Flow (CFM)	Air Flow (m <sup>3</sup> /min)	Air Pressure (mmH <sub>2</sub> O)	Air Pressure (Inch H <sub>2</sub> O)	Noise (dBA)
TRL22580B24M	◎	24	2.30	55.0	3000	558.6	15.9	30.59	1.21	60.0
TRL22580B48M	◎	48	1.15	55.0	3000	558.6	15.9	30.59	1.21	60.0
TRL22580B3M	◎	310	0.17	55.0	3000	558.6	15.9	30.59	1.21	60.0

⊗ Bearing System ※ : Sleeve ★ : WRB ◎ : Ball

★如果您需要的轉速或電壓或功能不在這份清單上，請與我們業務聯繫 Please contact us, if the SPEC you need is not in the list.

■ A139★產品詳細數據及功能請參閱承認書 Please see the approval sheet for more information . ★產品規格變更不另行通知 Specifications are subject to change without notice.