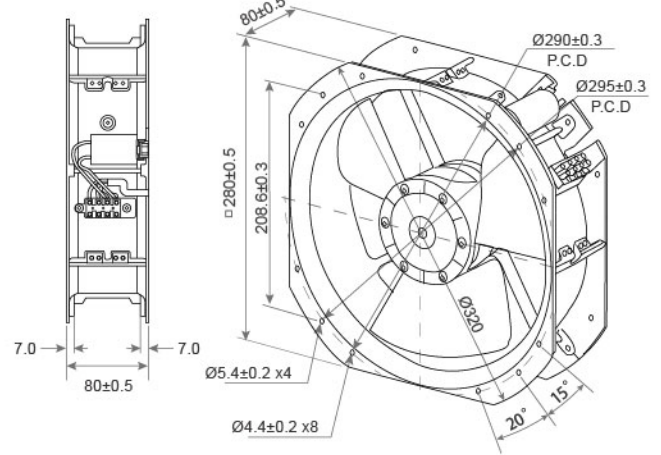
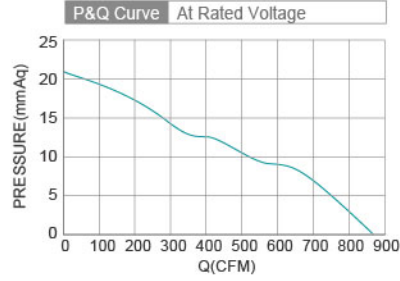


DC Axial Fan TRL28080 SERIES 280X280X80mm

DIMENSIONS DRAWING UNIT : mm



- Frame : Aluminum
外框材質：鋁框
- Impeller : Metal
扇葉材質：金屬葉
- Bearing : ◎Two Ball bearing
軸承：◎滾珠軸承
- Ingress Protection : Optional IP54 or IP56
防護等級：可選擇 IP54 or IP56

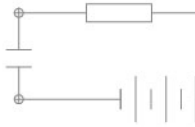


Model No.	Bearing Type	Voltage (VDC)	Current (A)	Power (W)	Speed (RPM)	Air Flow		Air Pressure		Noise (dBA)
						(CFM)	(m ³ /min)	(mmH ₂ O)	(Inch H ₂ O)	
TRL28080B24SD.M	◎	24	3.00	72.00	2300	860.0	24.34	21.59	0.85	65.0
TRL28080B24SD.M	◎	48	1.20	57.60	2300	860.0	24.34	21.59	0.85	65.0

⊗ Bearing System ※ : Sleeve ★ : WRB ◎ : Ball

★如果您需要的轉速或電壓或功能不在這份清單上，請與我們業務聯繫 Please contact us, if the SPEC you need is not in the list.

★產品詳細數據及功能請參閱承認書 Please see the approval sheet for more information . ★產品規格變更不另行通知 Specifications are subject to change without notice. A142

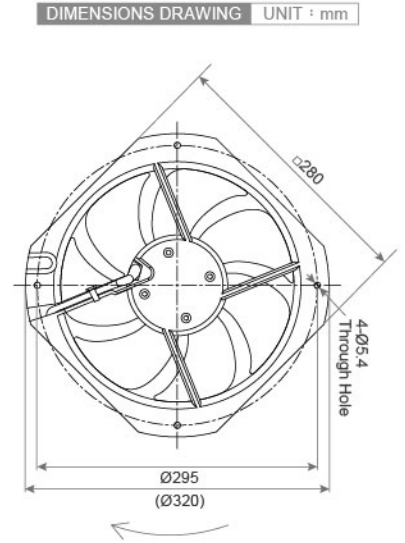
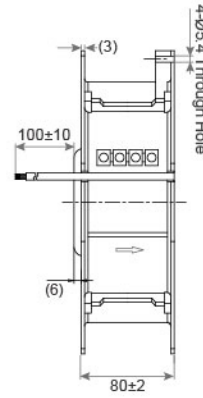
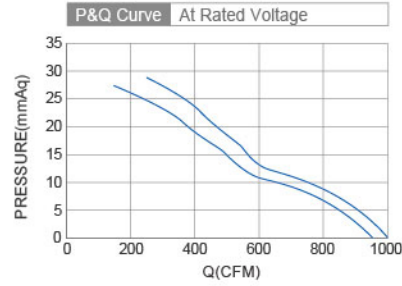


DC Axial Fan

TRL28080 AF SERIES 280X280X80mm



- Frame : Sheet Aluminum
外框材質：薄鋼板
- Impeller : Sheet Steel
扇葉材質：薄鋼板
- Bearing : ◎ Two Ball bearing
軸承：◎滾珠軸承
- Ingress Protection : IP42
防護等級：IP42



Model No.	Bearing Type	Voltage (VDC)	Current (A)	Power (W)	Speed (RPM)	Air Flow		Air Pressure		Noise (dBA)
						(CFM)	(m ³ /min)	(mmH ₂ O)	(Inch H ₂ O)	
TRL28080B24H.M	◎	24	4.4	105	2750	970.2	27.56	24.47	0.96	70.0
TRL28080B48H.M	◎	48	2.2	105	2750	970.2	27.56	24.47	0.96	70.0
TRL28080B3H.M	◎	310	0.44	135	3150	1000.0	28.30	24.47	0.96	69.0

⊗ Bearing System ※ : Sleeve ★ : WRB ◎ : Ball

★如果您需要的轉速或電壓或功能不在這份清單上，請與我們業務聯繫 Please contact us, if the SPEC you need is not in the list.

■ A141★產品詳細數據及功能請參閱承認書 Please see the approval sheet for more information . ★產品規格變更不另行通知 Specifications are subject to change without notice.