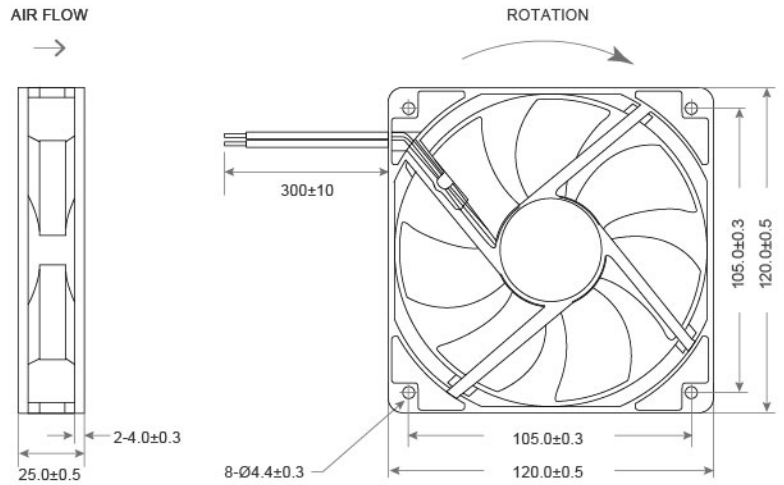


DC Axial Fan TRS12025 SERIES 120X120X25mm

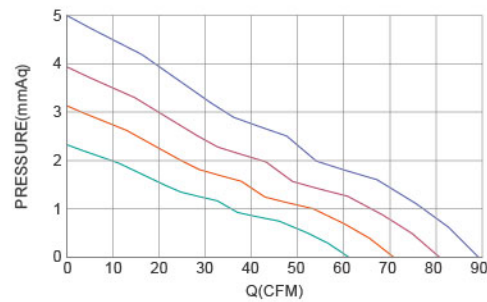


DIMENSIONS DRAWING UNIT : mm



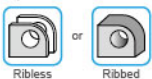
- Frame : Thermoplastic PBT UL94-V0
外框材質：環保防火PBT
- Impeller : Thermoplastic PBT UL94-V0
扇葉材質：環保防火PBT
- Bearing : ※ Sleeve · ★ WRB · ◎ Two Ball Bearing
軸承：※含油 · ★ WRB · ◎滾珠軸承
- Unit Weight : 125g
風扇單體重量：125克

P&Q Curve At Rated Voltage



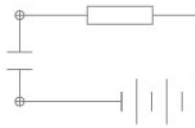
Model No.	Bearing Type	Voltage (VDC)	Current (A)	Power (W)	Speed (RPM)	Air Flow (CFM)	Air Flow (m ³ /min)	Air Pressure (mmH ₂ O)	Air Pressure (Inch H ₂ O)	Noise (dBA)
TRS1225x12D	※★◎	12 (7.0~14.0)	0.12	1.44	1500	51.39	1.45	1.63	0.06	27.0
TRS1225x12L	※★◎	12 (7.0~14.0)	0.16	1.92	1800	61.03	1.73	2.30	0.09	32.2
TRS1225x12M	※★◎	12 (7.0~14.0)	0.23	2.76	2100	70.69	2.00	3.08	0.12	35.5
TRS1225x12H	※★◎	12 (7.0~14.0)	0.30	3.60	2400	80.31	2.27	3.98	0.16	39.0
TRS1225x12VH	※ ◎	12 (7.0~14.0)	0.38	4.56	2700	89.94	2.54	5.00	0.20	42.3
TRS1225x24D	※★◎	24 (15.0~27.0)	0.06	1.44	1500	51.39	1.45	1.63	0.06	27.0
TRS1225x24L	※★◎	24 (15.0~27.0)	0.08	1.92	1800	61.03	1.73	2.30	0.09	32.2
TRS1225x24M	※★◎	24 (15.0~27.0)	0.12	2.88	2100	70.69	2.00	3.08	0.12	35.5
TRS1225x24H	※★◎	24 (15.0~27.0)	0.15	3.60	2400	80.31	2.27	3.98	0.16	39.0
TRS1225x24VH	※ ◎	24 (15.0~27.0)	0.19	4.56	2700	89.94	2.54	5.00	0.20	42.3

Optional Frames :

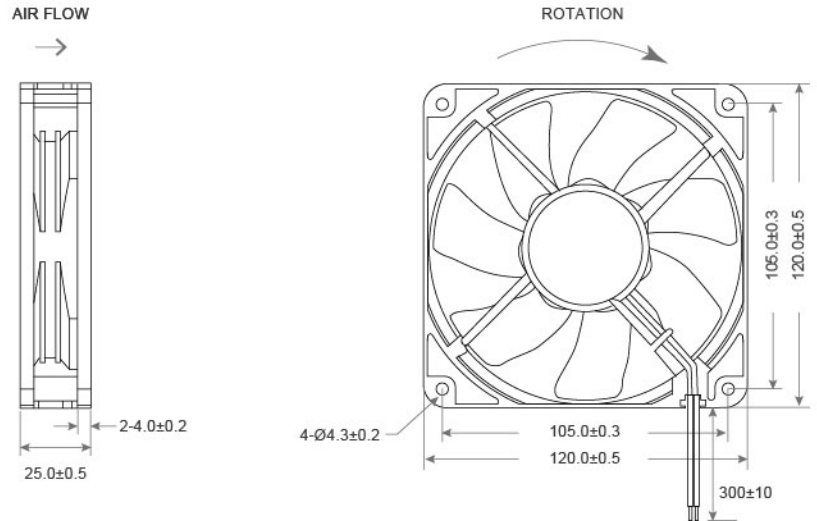


⊗ Bearing System ※ : Sleeve ★ : WRB ◎ : Ball

★如果您需要的轉速或電壓或功能不在這份清單上，請與我們業務聯繫 Please contact us, if the SPEC you need is not in the list.

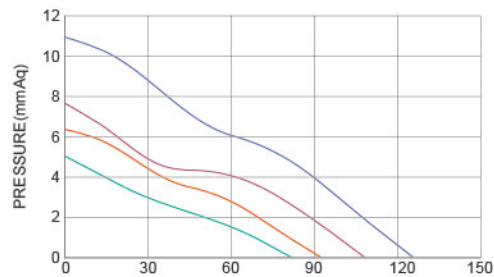


DIMENSIONS DRAWING UNIT : mm



- Frame : Thermoplastic PBT UL94-V0
外框材質：環保防火PBT
- Impeller : Thermoplastic PBT UL94-V0
扇葉材質：環保防火PBT
- Bearing : ※Sleeve · ★WRB · ◎Two Ball Bearing
軸承：※含油 · ★WRB · ◎滾珠軸承
- Unit Weight : 140g
風扇單體重量：140克

P&Q Curve At Rated Voltage



Model No.	Bearing Type	Voltage (VDC)	Current (A)	Power (W)	Speed (RPM)	Air Flow (CFM)	Air Flow (m ³ /min)	Air Pressure (mmH ₂ O)	Air Pressure (Inch H ₂ O)	Noise (dBA)
TRS1225x12D	※★◎	12 (7.2~13.8)	0.13	1.56	1900	67.1	1.90	3.91	0.11	30.0
TRS1225x12L	※★◎	12 (7.2~13.8)	0.16	1.92	2200	79.4	2.25	5.14	0.15	33.5
TRS1225x12M	※★◎	12 (7.2~13.8)	0.24	2.88	2500	91.1	2.58	6.21	0.19	37.0
TRS1225x12H	※★◎	12 (7.2~13.8)	0.40	4.80	3100	104.2	2.96	7.65	0.30	42.5
TRS1225x12VH	※★◎	12 (7.2~13.8)	0.50	6.01	3500	126.7	3.19	10.86	0.43	47.0
TRS1225x12SH	※★◎	12 (7.2~13.8)	0.50	12.00	4000	151.4	4.30	15.11	0.60	54.5
TRS1225x24D	※★◎	24 (14.5~27.5)	0.07	1.56	1900	67.1	1.90	3.91	0.11	30.0
TRS1225x24L	※★◎	24 (14.5~27.5)	0.08	1.92	2200	79.4	2.25	5.14	0.15	33.5
TRS1225x24M	※★◎	24 (14.5~27.5)	0.12	2.88	2500	91.1	2.58	6.21	0.19	37.0
TRS1225x24H	※★◎	24 (14.5~27.5)	0.20	4.80	3100	104.2	2.96	7.65	0.30	42.5
TRS1225x24VH	※★◎	24 (14.5~27.5)	0.25	6.01	3500	126.7	3.19	10.86	0.43	47.0
TRS1225x24SH	※★◎	24 (14.5~27.5)	0.50	12.00	4000	151.4	4.30	15.11	0.60	54.5

⊗ Bearing System ※ : Sleeve ★ : WRB ◎ : Ball

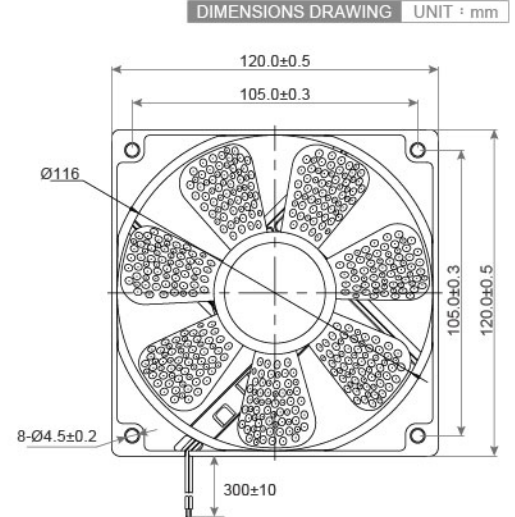
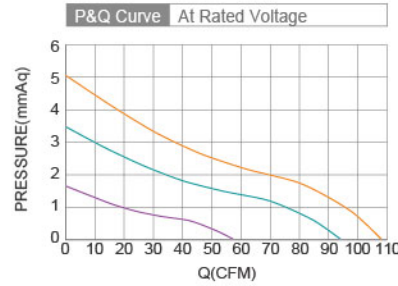
★如果您需要的轉速或電壓或功能不在這份清單上，請與我們業務聯繫 Please contact us, if the SPEC you need is not in the list.

★產品詳細數據及功能請參閱承認書 Please see the approval sheet for more information . ★產品規格變更不另行通知 Specifications are subject to change without notice. ■ A90

DC Axial Fan TRS12025 G SERIES 120X120X25mm(V7)



- Frame : Thermoplastic PBT UL94-V0
外框材質：環保防火PBT
- Impeller : Thermoplastic PBT UL94-V0
扇葉材質：環保防火PBT
- Bearing : Sleeve · Two Ball Bearing
軸承：※含油 ◎滾珠軸承
- Unit Weight : 153.0g
風扇單體重量：153.0克

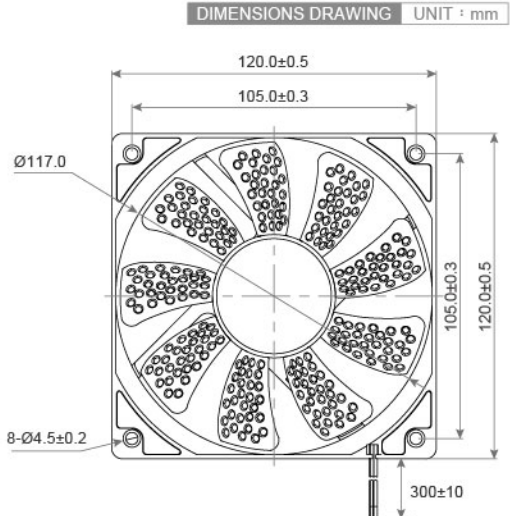
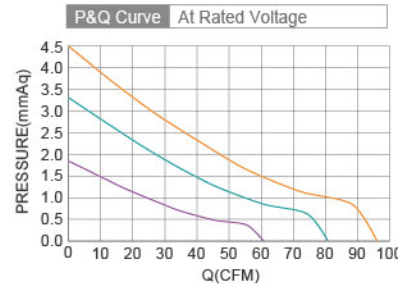


Model No.	Bearing Type	Voltage (VDC)	Current (A)	Power (W)	Speed (RPM)	Air Flow (CFM)	Air Flow (m³/min)	Air Pressure (mmH₂O)	Air Pressure (Inch H₂O)	Noise (dBA)
TRS1225x12L	※◎	12 (7.0~13.8)	0.30	3.60	1500	57.23	1.62	1.64	0.06	25.6
TRS1225x12M	※◎	12 (6.0~13.8)	0.30	3.60	2000	93.96	2.66	3.47	0.14	34.3
TRS1225x12H	※◎	12 (6.0~13.8)	0.38	4.56	2400	108.17	3.06	5.05	0.20	40.9

DC Axial Fan TRS12025 GB SERIES 120X120X25mm(V9)



- Frame : Thermoplastic PBT UL94-V0
外框材質：環保防火PBT
- Impeller : Thermoplastic PBT UL94-V0
扇葉材質：環保防火PBT
- Bearing : Sleeve · Two Ball Bearing
軸承：※含油軸承 ◎滾珠軸承
- Unit Weight : 151.0g
風扇單體重量：151.0克

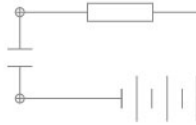


Model No.	Bearing Type	Voltage (VDC)	Current (A)	Power (W)	Speed (RPM)	Air Flow (CFM)	Air Flow (m³/min)	Air Pressure (mmH₂O)	Air Pressure (Inch H₂O)	Noise (dBA)
TRS1225x12L	※◎	12 (7.0~13.8)	0.30	3.60	1500	60.59	1.71	1.86	0.07	30.2
TRS1225x12M	※◎	12 (7.0~13.8)	0.30	3.60	2000	80.79	2.29	3.30	0.13	39.0
TRS1225x12H	※◎	12 (7.0~13.8)	0.38	4.56	2400	96.04	2.72	4.50	0.18	41.6

⊗ Bearing System ※ : Sleeve ★ : WRB ◎ : Ball

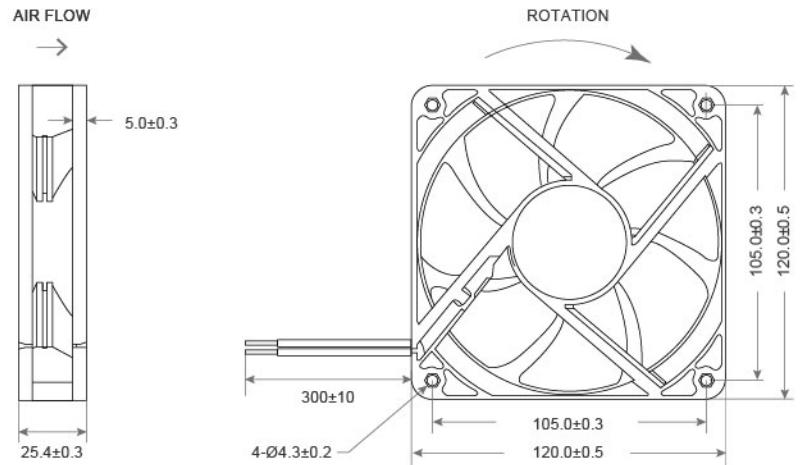
★如果您需要的轉速或電壓或功能不在這份清單上，請與我們業務聯繫 Please contact us, if the SPEC you need is not in the list.

■ A91 ★產品詳細數據及功能請參閱承認書 Please see the approval sheet for more information . ★產品規格變更不另行通知 Specifications are subject to change without notice.



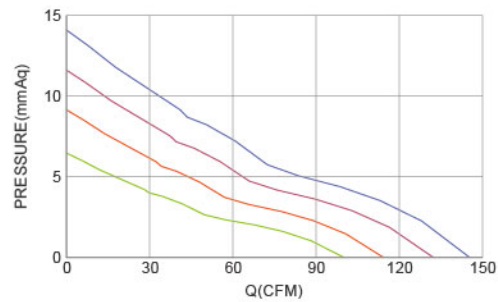
DC Axial Fan TRD12025 SERIES 120X120X25mm

DIMENSIONS DRAWING UNIT : mm



- Frame : Thermoplastic PBT UL94-V0
外框材質：環保防火PBT
- Impeller : Thermoplastic PBT UL94-V0
扇葉材質：環保防火PBT
- Bearing : ※ Sleeve · ★ WRB · ◎ Two Ball Bearing
軸承：※ 含油 · ★ WRB · ◎ 滾珠軸承
- Unit Weight : 125g
風扇單體重量：125克

P&Q Curve At Rated Voltage



Model No.	Bearing Type	Voltage (VDC)	Current (A)	Power (W)	Speed (RPM)	Air Flow (CFM)	Air Flow (m ³ /min)	Air Pressure (mmH ₂ O)	Air Pressure (Inch H ₂ O)	Noise (dBA)
TRD1225x12D	※★◎	12 (7.0~14.0)	0.28	3.36	3000	85.59	2.42	5.03	0.20	43.8
TRD1225x12L	※★◎	12 (7.0~14.0)	0.40	4.80	3500	99.85	2.83	6.85	0.27	48.2
TRD1225x12M	※★◎	12 (7.0~14.0)	0.62	7.44	4000	114.12	3.23	8.95	0.35	50.6
TRD1225x24D	※★◎	24 (15.0~27.0)	0.14	3.36	3000	85.59	2.42	5.03	0.20	43.8
TRD1225x24L	※★◎	24 (15.0~27.0)	0.20	4.80	3500	99.85	2.83	6.85	0.27	48.2
TRD1225x24M	※★◎	24 (15.0~27.0)	0.31	7.44	4000	114.12	3.23	8.95	0.35	50.6
TRD1225x24H	※★◎	24 (15.0~27.0)	0.46	11.04	4500	128.38	3.63	11.32	0.45	53.6
TRD1225x48L	※★◎	48 (35.0~57.0)	0.10	4.80	3500	99.85	2.83	6.85	0.27	43.8
TRD1225x48M	※★◎	48 (35.0~57.0)	0.16	7.68	4000	114.12	3.23	8.95	0.35	48.2
TRD1225x48H	※★◎	48 (35.0~57.0)	0.23	11.04	4500	128.38	3.63	11.32	0.45	50.6
TRD1225x48VH	※★◎	48 (35.0~57.0)	0.35	16.80	5000	142.64	4.04	13.98	0.55	53.6

Optional Frames :



⊗ Bearing System ※ : Sleeve ★ : WRB ◎ : Ball

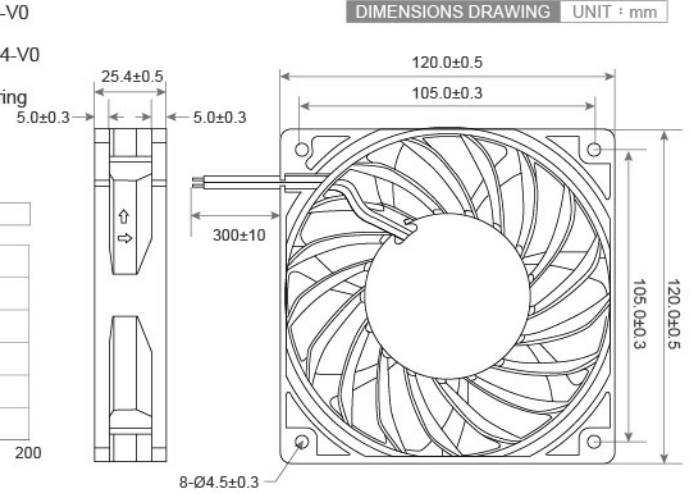
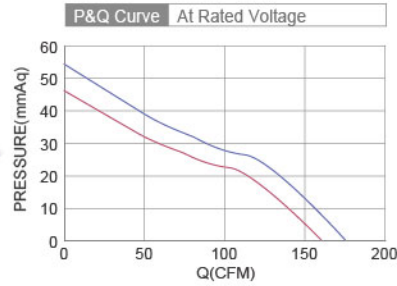
★如果您需要的轉速或電壓或功能不在這份清單上，請與我們業務聯繫 Please contact us, if the SPEC you need is not in the list.

★產品詳細數據及功能請參閱承認書 Please see the approval sheet for more information . ★產品規格變更不另行通知 Specifications are subject to change without notice. ■ A92

DC Axial Fan TRF12025 B SERIES 120X120X25mm



- Frame : Thermoplastic PBT UL94-V0
外框材質：環保防火PBT
- Impeller : Thermoplastic PBT UL94-V0
扇葉材質：環保防火PBT
- Bearing : Sleeve · Two Ball Bearing
軸承：※含油 ◎滾珠軸承
- Unit Weight : 240g
風扇單體重量：240克

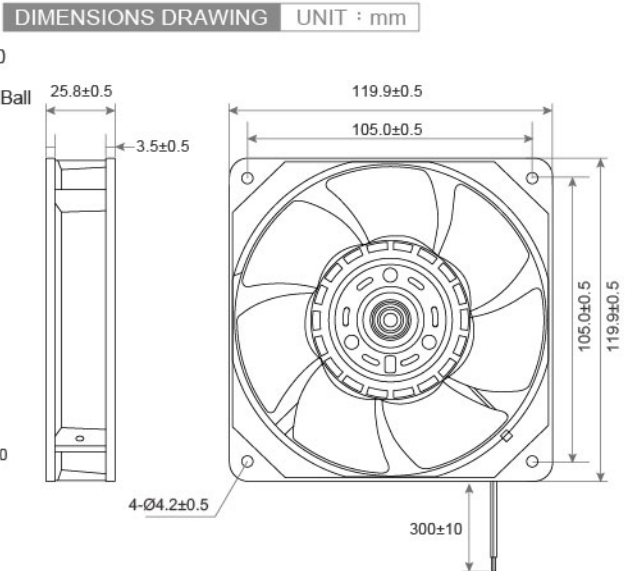
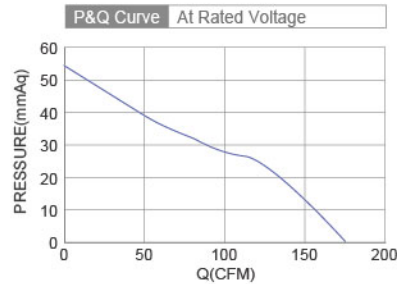


Model No.	Bearing Type	Voltage (VDC)	Current (A)	Power (W)	Speed (RPM)	Air Flow (CFM)	Air Flow (m³/min)	Air Pressure (mmH₂O)	Air Pressure (Inch H₂O)	Noise (dBA)
TRF12025x12M	※◎	12 (7.2~13.8)	1.4	16.8	7700	161.0	4.57	45.97	1.81	61.3
TRF12025x12H	※◎	12 (7.2~13.8)	2.0	24.0	8300	174.5	4.94	54.33	2.13	65.5
TRF12025x24M	※◎	24 (13.0~27.5)	0.7	16.8	7700	161.0	4.57	45.97	1.81	61.3
TRF12025x24H	※◎	24 (13.0~27.5)	1.1	24.0	8300	174.5	4.94	54.33	2.13	65.5
TRF12025x48M	※◎	48 (36.5~55.5)	0.4	16.8	7700	161.0	4.57	45.97	1.81	61.3
TRF12025x48H	※◎	48 (36.5~55.5)	0.5	24.0	8300	174.5	4.94	54.33	2.13	65.5

DC Axial Fan TRF12025 C SERIES 120X120X25mm



- Frame : Aluminum
外框材質：鋁框
- Impeller : Thermoplastic PBT UL94-V0
扇葉材質：環保防火PBT
- Bearing : ※Sleeve · ★WRB · ◎Two Ball Bearing
軸承：※含油 · ★WRB · ◎滾珠軸承
- Unit Weight : 240g
風扇單體重量：240克

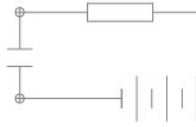


Model No.	Bearing Type	Voltage (VDC)	Current (A)	Power (W)	Speed (RPM)	Air Flow (CFM)	Air Flow (m³/min)	Air Pressure (mmH₂O)	Air Pressure (Inch H₂O)	Noise (dBA)
TRF12025x12H	※◎	12 (7.2~13.8)	2.0	24.0	8300	174.53	4.94	54.33	2.13	65.5
TRF12025x24H	※◎	24 (14.5~27.5)	1.1	24.0	8300	174.53	4.94	54.33	2.13	65.5
TRF12025x48H	※◎	48 (36.5~55.5)	0.5	24.0	8300	174.53	4.94	54.33	2.13	65.5

⊗ Bearing System ※ : Sleeve ★ : WRB ◎ : Ball

★如果您需要的轉速或電壓或功能不在這份清單上，請與我們業務聯繫 Please contact us, if the SPEC you need is not in the list.

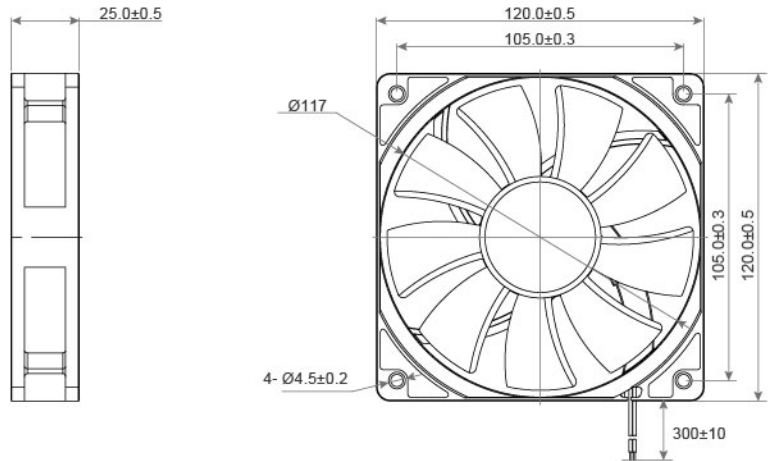
★產品詳細數據及功能請參閱承認書 Please see the approval sheet for more information . ★產品規格變更不另行通知 Specifications are subject to change without notice. A94



DC AXIAL FAN

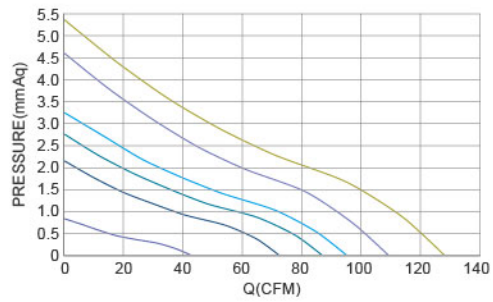
SRL12025 SERIES 120X120X25mm

DIMENSIONS DRAWING UNIT : mm



- Frame : PBT+GF30%
外框材質：聚對苯二甲酸丁二酯+玻纖30%
- Impeller : PBT+GF30%
扇葉材質：聚對苯二甲酸丁二酯+玻纖30%
- Bearing : ※Sleeve · ★WRB · ◎Two Ball Bearing
軸承：※含油 · ★WRB · ◎滾珠軸承
- Unit Weight : 134g
風扇單體重量：134克

P&Q Curve At Rated Voltage



Model No.	Bearing Type	Voltage (VDC)	Current (A)	Power (W)	Speed (RPM)	Air Flow (CFM)	Air Flow (m ³ /min)	Air Pressure (mmH ₂ O)	Air Pressure (Inch H ₂ O)	Noise (dBA)
SRLx1202512SLN	※★◎	12(10.0~13.8)	0.18	2.16	1000	42.33	1.20	0.83	0.03	15.2
SRLx1202512ELN	※★◎	12(6.0~13.8)	0.18	2.16	1600	72.67	2.06	2.14	0.08	29.1
SRLx1202512LLN	※★◎	12(6.0~13.8)	0.20	2.40	1800	87.19	2.47	2.75	0.11	33.0
SRLx1202512LN	※★◎	12(6.0~13.8)	0.30	3.60	2000	95.49	2.70	3.27	0.13	35.5
SRLx1202512MN	※★◎	12(6.0~13.8)	0.55	6.60	2400	109.44	3.10	4.59	0.18	41.2
SRLx1202512HN	※★◎	12(6.0~13.8)	0.65	7.80	2800	128.40	3.63	5.33	0.21	44.9

⊗ Bearing System ※ : Sleeve ★ : WRB ◎ : Ball

★如果您需要的轉速或電壓或功能不在這份清單上，請與我們業務聯繫 Please contact us, if the SPEC you need is not in the list.