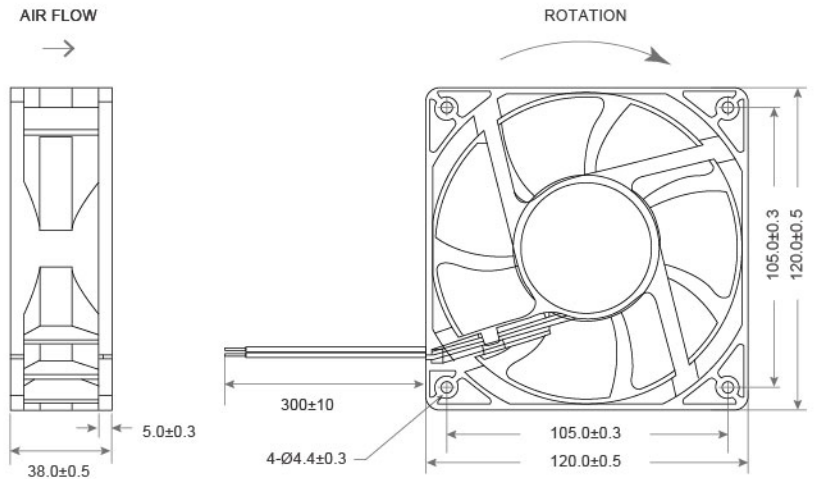


DC Axial Fan TRS12038 SERIES 120X120X38mm

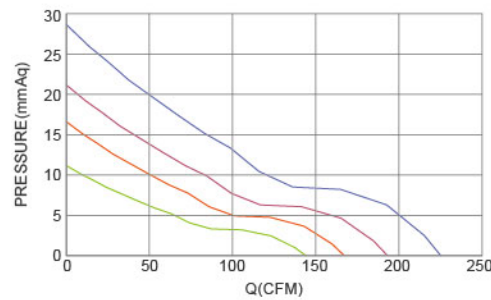


DIMENSIONS DRAWING UNIT : mm



- Frame : Thermoplastic PBT UL94-V0
外框材質：環保防火PBT
- Impeller : Thermoplastic PBT UL94-V0
扇葉材質：環保防火PBT
- Bearing : ※Sleeve · ★WRB · ◎Two Ball Bearing
軸承：※含油 · ★WRB · ◎滾珠軸承
- Unit Weight : 280g
風扇單體重量：280克

P&Q Curve At Rated Voltage

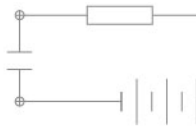


Model No.	Bearing Type	Voltage (VDC)	Current (A)	Power (W)	Speed (RPM)	Air Flow (CFM)	Air Flow (m ³ /min)	Air Pressure (mmH ₂ O)	Air Pressure (Inch H ₂ O)	Noise (dBA)
TRS1238x12D	※★◎	12 (7.0~14.0)	0.50	6.00	2600	103.03	2.92	6.11	0.24	41.7
TRS1238x12L	※★◎	12 (7.0~14.0)	0.66	7.92	3200	126.93	3.59	9.25	0.36	47.8
TRS1238x12M	※★◎	12 (7.0~14.0)	0.98	11.76	3600	142.80	4.04	11.71	0.46	50.2
TRS1238x12H	※★◎	12 (7.0~14.0)	1.22	14.64	4200	166.60	4.71	15.93	0.63	55.1
TRS1238x12VH	◎	12 (7.0~14.0)	1.60	19.20	4800	190.40	5.39	20.82	0.82	59.2
TRS1238x12SH	◎	12 (7.0~14.0)	2.60	31.20	5600	222.13	6.29	28.34	1.12	64.8
TRS1238x24D	※★◎	24 (15.0~27.0)	0.25	6.00	2600	103.03	2.92	6.11	0.24	41.7
TRS1238x24L	※★◎	24 (15.0~27.0)	0.33	7.92	3200	126.93	3.59	9.25	0.36	47.8
TRS1238x24M	※★◎	24 (15.0~27.0)	0.49	11.76	3600	142.80	4.04	11.71	0.46	50.2
TRS1238x24H	※★◎	24 (15.0~27.0)	0.61	14.64	4200	166.60	4.71	15.93	0.63	55.1
TRS1238x24VH	◎	24 (15.0~27.0)	0.80	19.20	4800	190.40	5.39	20.82	0.82	59.2
TRS1238x24SH	◎	24 (15.0~27.0)	1.30	31.20	5600	222.13	6.29	28.34	1.12	64.8
TRS1238x48D	※★◎	48 (35.0~57.0)	0.12	5.76	2600	103.03	2.92	6.11	0.24	41.7
TRS1238x48L	※★◎	48 (35.0~57.0)	0.16	7.68	3200	126.93	3.59	9.25	0.36	47.8
TRS1238x48M	※★◎	48 (35.0~57.0)	0.25	12.00	3600	142.80	4.04	11.71	0.46	50.2
TRS1238x48H	※★◎	48 (35.0~57.0)	0.30	14.40	4200	166.60	4.71	15.93	0.63	55.1
TRS1238x48VH	◎	48 (35.0~57.0)	0.40	19.20	4800	190.40	5.39	20.82	0.82	59.2
TRS1238x48SH	◎	48 (35.0~57.0)	0.65	31.20	5600	222.13	6.29	28.34	1.12	64.8

◎ Bearing System ※ : Sleeve ★ : WRB ◎ : Ball

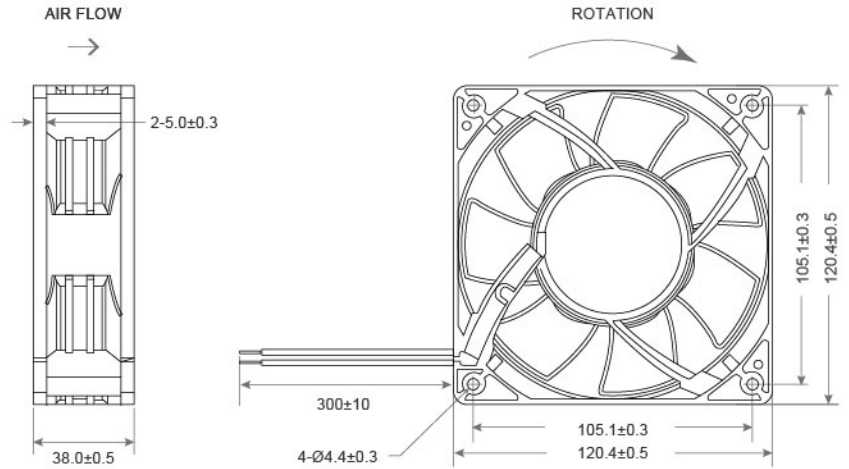
★如果您需要的轉速或電壓或功能不在這份清單上，請與我們業務聯繫 Please contact us, if the SPEC you need is not in the list.

■ A97 ★產品詳細數據及功能請參閱承認書 Please see the approval sheet for more information . ★產品規格變更不另行通知 Specifications are subject to change without notice.



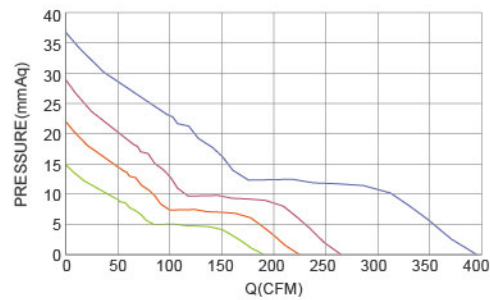
DC Axial Fan TRD12038 SERIES 120X120X38mm

DIMENSIONS DRAWING UNIT : mm



- Frame : Thermoplastic PBT UL94-V0
外框材質：環保防火PBT
- Impeller : Thermoplastic PBT UL94-V0
扇葉材質：環保防火PBT
- Bearing : ※Sleeve · ★WRB · ◎Two Ball Bearing
軸承：※含油 · ★WRB · ◎滾珠軸承
- Unit Weight : 380g
風扇單體重量：380克

P&Q Curve At Rated Voltage



Model No.	Bearing Type	Voltage (VDC)	Current (A)	Power (W)	Speed (RPM)	Air Flow (CFM)	Air Flow (m ³ /min)	Air Pressure (mmH ₂ O)	Air Pressure (Inch H ₂ O)	Noise (dBA)
TRD1238x12L	※★◎	12 (7.0~14.0)	0.43	5.16	3000	150.92	4.27	9.66	0.38	39.5
TRD1238x12M	※★◎	12 (7.0~14.0)	1.00	12.00	3700	186.13	5.27	14.69	0.58	46.3
TRD1238x12H	※★◎	12 (7.0~14.0)	1.50	18.00	4500	226.37	6.40	21.74	0.86	49.6
TRD1238x12VH	◎	12 (7.0~14.0)	2.50	30.00	5200	261.59	7.40	29.02	1.14	56.7
TRD1238x24L	※★◎	24 (15.0~27.0)	0.22	5.28	3000	150.92	4.27	9.66	0.38	39.5
TRD1238x24M	※★◎	24 (15.0~27.0)	0.50	12.00	3700	186.13	5.27	14.69	0.58	46.3
TRD1238x24H	※★◎	24 (15.0~27.0)	0.75	18.00	4500	226.37	6.40	21.74	0.86	49.6
TRD1238x24VH	◎	24 (15.0~27.0)	1.40	33.60	5200	261.59	7.40	29.02	1.14	56.7
TRD1238x48L	※★◎	48 (35.0~57.0)	0.11	5.28	3000	150.92	4.27	9.66	0.38	39.5
TRD1238x48M	※★◎	48 (35.0~57.0)	0.25	12.00	3700	186.13	5.27	14.69	0.58	46.3
TRD1238x48H	※★◎	48 (35.0~57.0)	0.38	18.00	4500	226.37	6.40	21.74	0.86	49.6
TRD1238x48VH	◎	48 (35.0~57.0)	0.70	33.60	5200	261.59	7.40	29.02	1.14	56.7

Optional Frames :



⊗ Bearing System ※ : Sleeve ★ : WRB ◎ : Ball

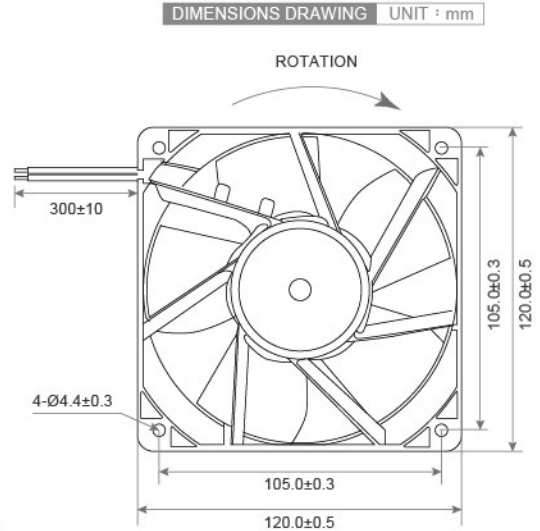
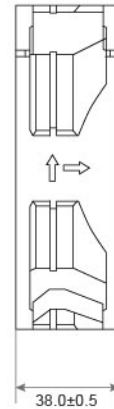
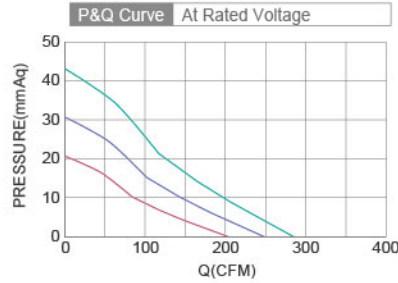
★如果您需要的轉速或電壓或功能不在這份清單上，請與我們業務聯繫 Please contact us, if the SPEC you need is not in the list.

★產品詳細數據及功能請參閱承認書 Please see the approval sheet for more information . ★產品規格變更不另行通知 Specifications are subject to change without notice. A98

DC Axial Fan TRD12038 C SERIES 120X120X38mm



- Frame : Thermoplastic PBT UL94-V0
外框材質：環保防火PBT
- Impeller : Thermoplastic PBT UL94-V0
扇葉材質：環保防火PBT
- Bearing : ※ Sleeve · ★ WRB · ◎ Two Ball
軸承：※含油 · ★WRB · ◎滾珠軸承
- Unit Weight : 318g
風扇單體重量：318克

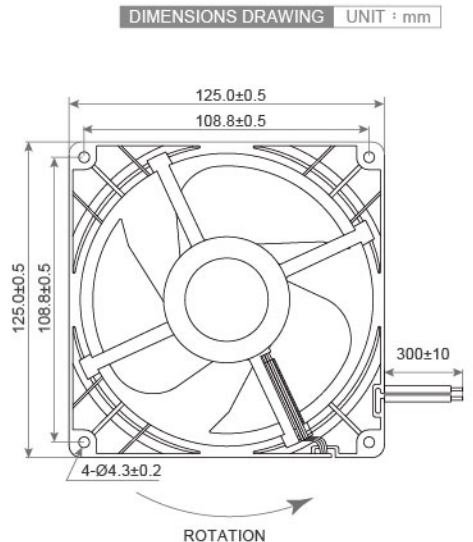
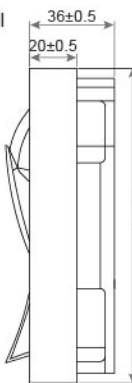
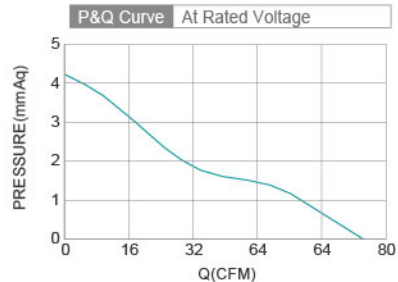


Model No.	Bearing Type	Voltage (VDC)	Current (A)	Power (W)	Speed (RPM)	Air Flow (CFM)	Air Flow (m ³ /min)	Air Pressure (mmH ₂ O)	Air Pressure (Inch H ₂ O)	Noise (dBA)
TRD1238x12L	※◎★	12 (7.0~14.0)	1.00	12.00	4300	200.68	5.68	21.11	0.83	56.40
TRD1238x12H	※◎★	12 (7.0~14.0)	1.72	20.64	5200	242.49	6.87	30.87	1.22	61.76
TRD1238x12SH	※◎★	12 (7.0~14.0)	2.70	32.40	6200	289.36	8.19	43.88	1.73	66.80
TRD1238x24L	※◎★	24 (15.0~27.0)	0.50	12.00	4300	200.68	5.68	21.11	0.83	56.40
TRD1238x24H	※◎★	24 (15.0~27.0)	0.86	20.64	5200	242.49	6.87	30.87	1.22	61.76
TRD1238x24SH	※◎★	24 (15.0~27.0)	1.35	32.40	6200	289.36	8.19	43.88	1.73	66.80

DC Axial Fan TRD12038 U SERIES 120X120X38mm



- Frame : Thermoplastic PBT UL94-V0
外框材質：環保防火PBT
- Impeller : Thermoplastic PBT UL94-V0
扇葉材質：環保防火PBT
- Bearing : ※ Sleeve · ★ WRB · ◎ Two Ball
軸承：※含油 · ★WRB · ◎滾珠軸承
- Unit Weight : 228g
風扇單體重量：228克



Model No.	Bearing Type	Voltage (VDC)	Current (A)	Power (W)	Speed (RPM)	Air Flow (CFM)	Air Flow (m ³ /min)	Air Pressure (mmH ₂ O)	Air Pressure (Inch H ₂ O)	Noise (dBA)
TRD1238x12L	※★◎	12 (8.0~13.7)	0.11	1.32	2200	74.29	2.102	4.22	0.166	35.9

⊗ Bearing System ※ : Sleeve ★ : WRB ◎ : Ball

★如果您需要的轉速或電壓或功能不在這份清單上，請與我們業務聯繫 Please contact us, if the SPEC you need is not in the list.

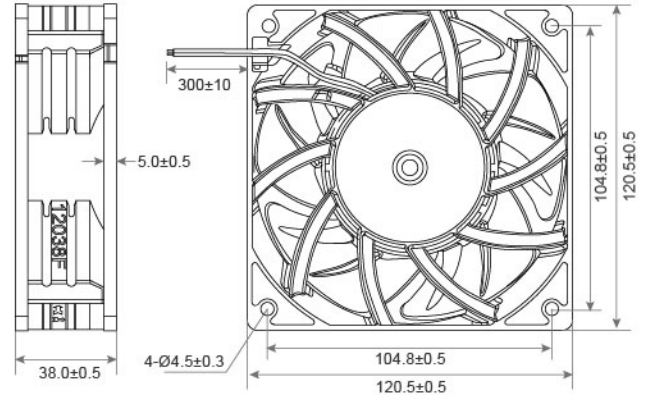
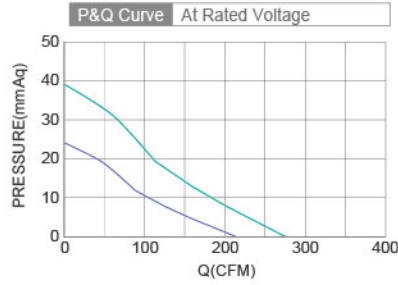
★產品詳細數據及功能請參閱承認書 Please see the approval sheet for more information . ★產品規格變更不另行通知 Specifications are subject to change without notice. ■ A100

DC Axial Fan TRF12038 C SERIES 120X120X38mm



- Frame : Thermoplastic PBT UL94-V0 或鋁框
外框材質：環保防火PBT or Aluminum
- Impeller : Thermoplastic PBT UL94-V0
扇葉材質：環保防火PBT
- Bearing : ※ Sleeve · ★ WRB · ◎ Two Ball
軸承：※含油 · ★WRB · ◎滾珠軸承
- Unit Weight : 318g
風扇單體重量：318克

DIMENSIONS DRAWING UNIT : mm



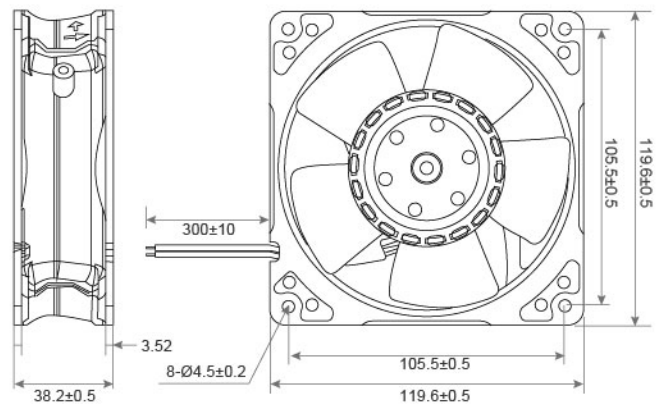
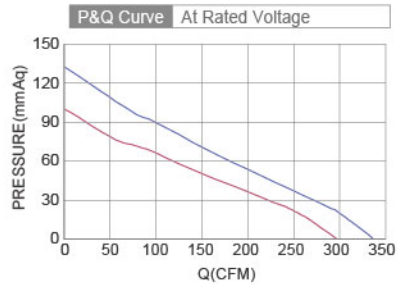
Model No.	Bearing Type	Voltage (VDC)	Current (A)	Power (W)	Speed (RPM)	Air Flow (CFM)	Air Flow (m ³ /min)	Air Pressure (mmH ₂ O)	Air Pressure (Inch H ₂ O)	Noise (dBA)
TRF12038x12M	※◎★	12 (7.2~13.8)	4.0	48	9600	247.0	7.0	97.0	3.82	70.5
TRF12038x12H	※◎★	12 (7.2~13.8)	6.5	78	11500	293.0	8.3	132.6	5.22	75.0
TRF12038x24M	※◎★	24 (14.5~27.5)	2.0	48	9600	247.0	7.0	97.0	3.82	70.5
TRF12038x24H	※◎★	24 (14.5~27.5)	3.25	78	11500	293.0	8.3	132.6	5.22	75.0
TRF12038x48M	※◎★	48 (29.0~55.0)	1.0	48	9600	247.0	7.0	97.0	3.82	70.5
TRF12038x48H	※◎★	48 (29.0~55.0)	1.63	78	11500	293.0	8.3	132.6	5.22	75.0

DC Axial Fan TRF12038 G1 SERIES 120X120X38mm



- Frame : Aluminum
外框材質：鋁框
- Impeller : Thermoplastic PBT UL94-V0
扇葉材質：環保防火PBT
- Bearing : ※ Sleeve · ★ WRB · ◎ Two Ball
軸承：※含油 · ★WRB · ◎滾珠軸承
- Unit Weight : 420g
風扇單體重量：420克

DIMENSIONS DRAWING UNIT : mm

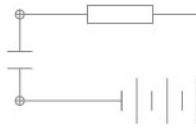


Model No.	Bearing Type	Voltage (VDC)	Current (A)	Power (W)	Speed (RPM)	Air Flow (CFM)	Air Flow (m ³ /min)	Air Pressure (mmH ₂ O)	Air Pressure (Inch H ₂ O)	Noise (dBA)
TRF12038x12M	◎	12 (7.2~13.2)	7.4	88.8	9500	294	8.3	99.06	3.9	76.0
TRF12038x24M	◎	24 (14.5~27.5)	3.7	88.8	9500	294	8.3	99.06	3.9	76.0
TRF12038x24H	◎	24 (14.5~27.5)	5.0	120.0	11000	336	9.5	132.00	5.2	78.0
TRF12038x48M	◎	48 (36.0~55.0)	1.9	88.8	9500	294	8.3	99.06	3.9	76.0
TRF12038x48H	◎	48 (36.0~55.0)	2.5	120.0	11000	336	9.5	132.00	5.2	78.0

◎ Bearing System ※ : Sleeve ★ : WRB ◎ : Ball

★如果您需要的轉速或電壓或功能不在這份清單上，請與我們業務聯繫 Please contact us, if the SPEC you need is not in the list.

■ A101★產品詳細數據及功能請參閱承認書 Please see the approval sheet for more information . ★產品規格變更不另行通知 Specifications are subject to change without notice.



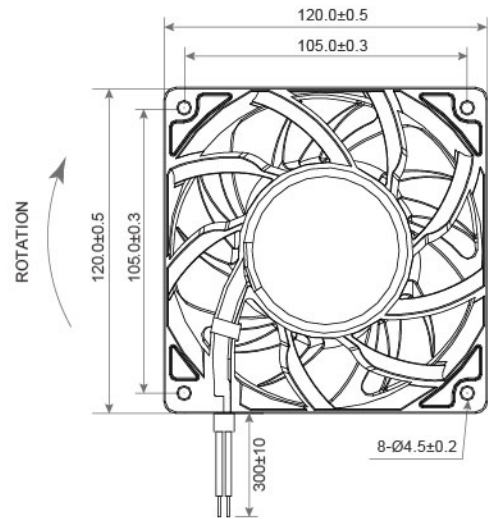
DC Axial Fan

TRY12038 FD SERIES 120X120X38mm



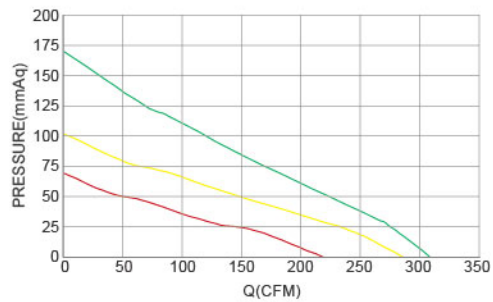
AIR FLOW
→

DIMENSIONS DRAWING UNIT : mm



- Frame : Aluminum
外框材質：鋁框
- Impeller : Thermoplastic PBT UL94-V0
扇葉材質：環保防火PBT
- Bearing : ◎Two Ball Bearing
軸承：◎滾珠軸承
- Unit Weight : 294.5g
風扇單體重量：294.5克

P&Q Curve At Rated Voltage



Model No.	Bearing Type	Voltage (VDC)	Current (A)	Power (W)	Speed (RPM)	Air Flow (CFM)	Air Flow (m ³ /min)	Air Pressure (mmH ₂ O)	Air Pressure (Inch H ₂ O)	Noise (dBA)
TRY12038B12L	◎	12(8.0~13.5)	3.0	36.0	8000	218.0	6.18	69.2	2.72	66.7
TRY12038B12M	◎	12(8.0~13.5)	5.8	69.6	10000	281.0	7.96	102.0	4.01	70.4
TRY12038B12H	◎	12(8.0~13.5)	10.0	120.0	12000	308.5	8.74	170.0	6.69	78.0
TRY12038B24L	◎	24(18.0~26.5)	1.5	36.0	8000	218.0	6.18	69.2	2.72	66.7
TRY12038B24M	◎	24(18.0~26.5)	2.9	69.6	10000	281.0	7.96	102.0	4.01	70.4
TRY12038B24H	◎	24(18.0~26.5)	5.0	120.0	12000	308.5	8.74	170.0	6.69	78.0
TRY12038B48L	◎	48(36.0~54.0)	0.8	38.4	8000	218.0	6.18	69.2	2.72	66.7
TRY12038B48M	◎	48(36.0~54.0)	1.5	72.0	10000	281.0	7.96	102.0	4.01	70.4
TRY12038B48H	◎	48(36.0~54.0)	2.5	120.0	12000	308.5	8.74	170.0	6.69	78.0

⊗ Bearing System ※ : Sleeve ★ : WRB ◎ : Ball

★如果您需要的轉速或電壓或功能不在這份清單上，請與我們業務聯繫 Please contact us, if the SPEC you need is not in the list.

★產品詳細數據及功能請參閱承認書 Please see the approval sheet for more information . ★產品規格變更不另行通知 Specifications are subject to change without notice. A102