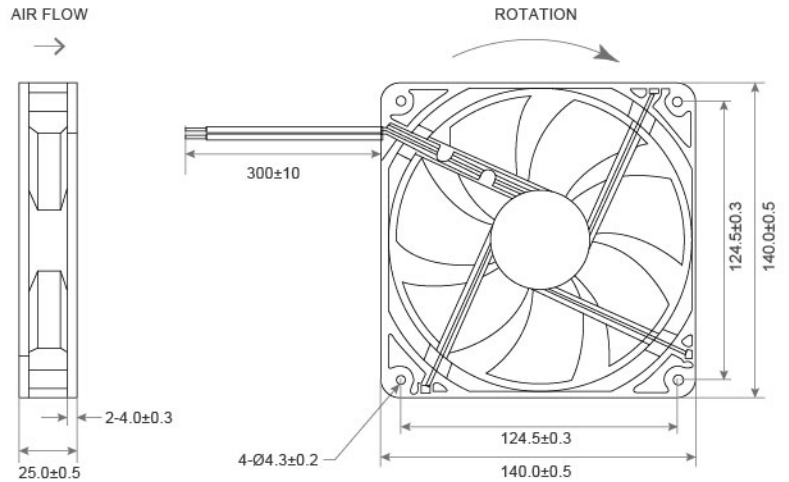


DC Axial Fan TRS14025 SERIES 140X140X25mm

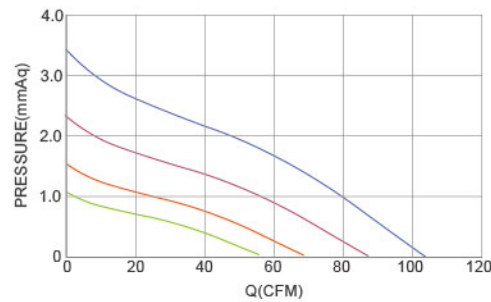


DIMENSIONS DRAWING UNIT : mm



- Frame : Thermoplastic PBT UL94-V0
外框材質：環保防火PBT
- Impeller : Thermoplastic PBT UL94-V0
扇葉材質：環保防火PBT
- Bearing : ※ Sleeve · ★ WRB · ◎ Two Ball Bearing
軸承：※ 含油 · ★ WRB · ◎ 滾珠軸承
- Unit Weight : 200g
風扇單體重量：200克

P&Q Curve At Rated Voltage



Model No.	Bearing Type	Voltage (VDC)	Current (A)	Power (W)	Speed (RPM)	Air Flow (CFM)	Air Flow (m ³ /min)	Air Pressure (mmH ₂ O)	Air Pressure (Inch H ₂ O)	Noise (dBA)
TRS1425x12D	※★◎	12 (7.0~14.0)	0.05	0.60	1200	55.90	1.58	1.01	0.04	26.8
TRS1425x12L	※★◎	12 (7.0~14.0)	0.13	1.56	1600	68.80	1.95	1.52	0.06	33.4
TRS1425x12M	※★◎	12 (7.0~14.0)	0.18	2.16	2000	86.00	2.43	2.38	0.09	39.4
TRS1425x12H(FD)	※★◎	12 (7.2~13.8)	0.47	5.64	2500	112.87	3.19	3.87	0.15	43.2
TRS1425x12VH(FD)	※★◎	12 (7.2~13.8)	1.00	12.00	2900	133.43	3.78	5.35	0.21	47.0
TRS1425x24D	※★◎	24 (15.0~27.0)	0.05	1.20	1200	55.90	1.58	1.00	0.04	26.8
TRS1425x24L	※★◎	24 (15.0~27.0)	0.07	1.68	1600	73.10	2.07	1.72	0.07	33.4
TRS1425x24M	※★◎	24 (15.0~27.0)	0.10	2.40	2000	90.30	2.56	2.62	0.10	39.4
TRS1425x24H(FD)	※★◎	24 (14.5~27.5)	0.24	5.76	2500	112.87	3.19	3.87	0.15	43.2
TRS1425x12VH(FD)	※★◎	24 (14.5~27.5)	0.50	12.00	2900	133.43	3.78	5.35	0.21	47.0
TRS1425x48L(FD)	※★◎	48 (29.0~55.0)	0.03	1.44	1500	62.07	1.76	1.30	0.05	28.0
TRS1425x48M(FD)	※★◎	48 (29.0~55.0)	0.06	2.88	2000	88.28	2.49	2.54	0.10	36.0
TRS1425x48H(FD)	※★◎	48 (29.0~55.0)	0.12	5.76	2500	112.87	3.19	3.87	0.15	43.2
TRS1425x48VH(FD)	※★◎	48 (29.0~55.0)	0.25	12.0	2900	133.43	3.78	5.35	0.21	47.0

◎ Bearing System ※ : Sleeve ★ : WRB ◎ : Ball

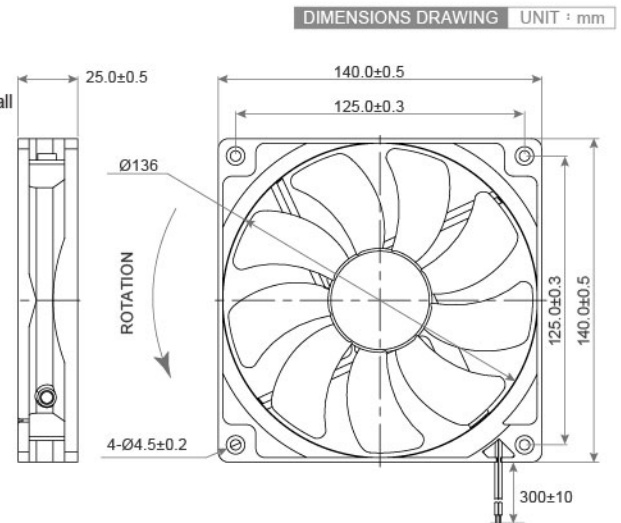
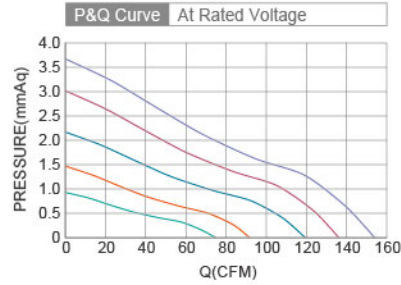
★如果您需要的轉速或電壓或功能不在這份清單上，請與我們業務聯繫 Please contact us, if the SPEC you need is not in the list.

■ A107★產品詳細數據及功能請參閱承認書 Please see the approval sheet for more information . ★產品規格變更不另行通知 Specifications are subject to change without notice.

DC Axial Fan SRL14025 SERIES 140X140X25mm



- Frame : Thermoplastic PBT UL94-V0
外框材質：環保防火PBT
- Impeller : Thermoplastic PBT UL94-V0
扇葉材質：環保防火PBT
- Bearing : ※Sleeve · ★WRB · ◎Two Ball
軸承：※含油 · ★WRB · ◎滾珠軸承
- Unit Weight : 173.6g
風扇單體重量：173.6克

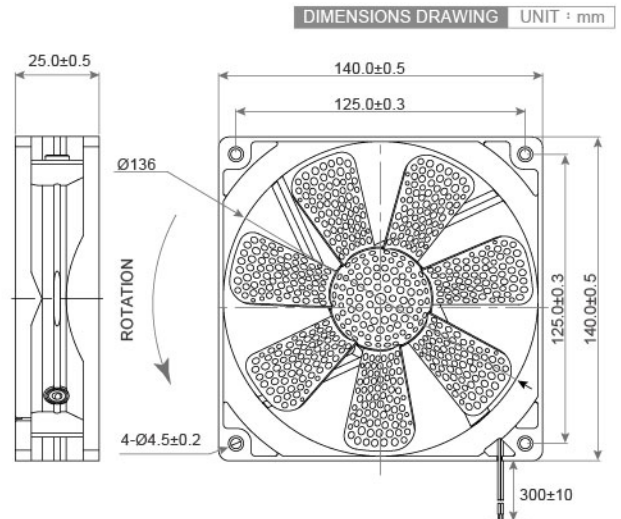
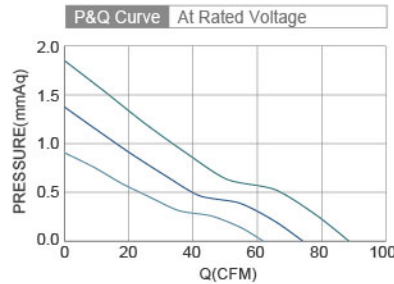


Model No.	Bearing Type	Voltage (VDC)	Current (A)	Power (W)	Speed (RPM)	Air Flow (CFM)	Air Flow (m ³ /min)	Air Pressure (mmH ₂ O)	Air Pressure (Inch H ₂ O)	Noise (dBA)
SRLx1402512L	※★◎	12 (7.0~13.8)	0.20	2.40	900	74.63	2.11	0.94	0.04	15.5
SRLx1402512M	※★◎	12 (6.0~13.8)	0.30	3.60	1200	92.16	2.61	1.46	0.06	24.9
SRLx1402512H	※★◎	12 (6.0~13.8)	0.40	4.80	1500	119.34	3.38	2.17	0.09	31.7
SRLx1402512HH	※★◎	12 (6.0~13.8)	0.50	6.00	1800	135.74	3.84	3.01	0.12	36.7
SRLx1402512EH	※★◎	12 (6.0~13.8)	0.60	7.20	2000	153.47	4.34	3.66	0.14	39.5

DC Axial Fan TRS14025 G SERIES 140X140X25mm



- Frame : Thermoplastic PBT UL94-V0
外框材質：環保防火PBT
- Impeller : Thermoplastic PBT UL94-V0
扇葉材質：環保防火PBT
- Bearing : ※Sleeve · ◎Two Ball
軸承：※含油 · ◎滾珠軸承
- Unit Weight : 163.7g
風扇單體重量：163.7克



Model No.	Bearing Type	Voltage (VDC)	Current (A)	Power (W)	Speed (RPM)	Air Flow (CFM)	Air Flow (m ³ /min)	Air Pressure (mmH ₂ O)	Air Pressure (Inch H ₂ O)	Noise (dBA)
TRS1425x12L	※◎	12 (10.8~13.8)	0.10	1.20	900	62.14	1.76	0.92	0.04	13.9
TRS1425x12M	※◎	12 (8.0~13.8)	0.15	1.80	1200	74.14	2.10	1.36	0.05	22.1
TRS1425x12H	※◎	12 (8.0~13.8)	0.20	2.40	1500	88.62	2.51	1.84	0.07	25.5

⊗ Bearing System ※ : Sleeve ★ : WRB ◎ : Ball

★如果您需要的轉速或電壓或功能不在這份清單上，請與我們業務聯繫 Please contact us, if the SPEC you need is not in the list.

★產品詳細數據及功能請參閱承認書 Please see the approval sheet for more information . ★產品規格變更不另行通知 Specifications are subject to change without notice. A108