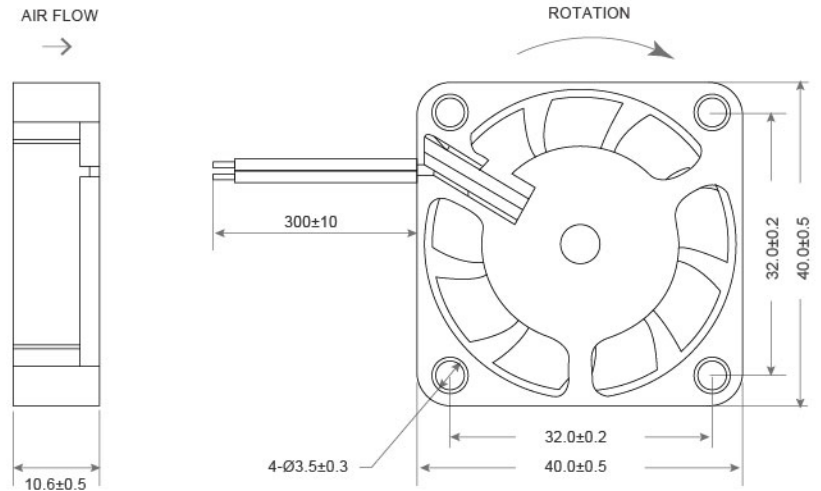


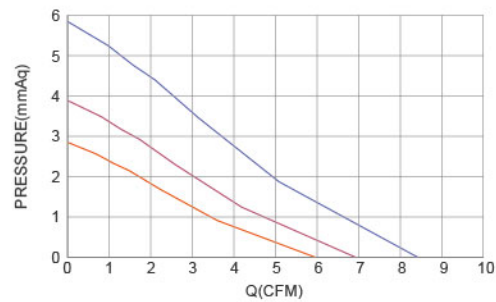


DIMENSIONS DRAWING UNIT : mm



- Frame : Thermoplastic PBT UL94-V0  
外框材質：環保防火PBT
- Impeller : Thermoplastic PBT UL94-V0  
扇葉材質：環保防火PBT
- Bearing : ※ Sleeve · ★ WRB · ◎ Two Ball Bearing  
軸承：※ 含油 · ★ WRB · ◎ 滾珠軸承
- Unit Weight : 12g  
風扇單體重量：12克
- Screw hole diameter 螺絲孔徑：Ø3.5 or Ø4.3

P&Q Curve At Rated Voltage



Model No.	Bearing Type	Voltage (VDC)	Current (A)	Power (W)	Speed (RPM)	Air Flow (CFM)	Air Flow (m <sup>3</sup> /min)	Air Pressure (mmH <sub>2</sub> O)	Air Pressure (Inch H <sub>2</sub> O)	Noise (dBA)
TRS4010x05L	※★◎	5 (4.0~5.5)	0.09	0.45	4200	4.14	0.12	1.40	0.06	24.0
TRS4010x05M	※★◎	5 (4.0~5.5)	0.14	0.70	5000	4.93	0.14	1.99	0.08	26.0
TRS4010x05H	※★◎	5 (4.0~5.5)	0.19	0.95	6000	5.92	0.17	2.87	0.11	29.5
TRS4010x05VH	※★◎	5 (4.0~5.5)	0.24	1.20	7000	6.91	0.20	3.90	0.15	32.8
TRS4010x12L	※★◎	12 (7.0~14.0)	0.04	0.48	4200	4.14	0.12	1.40	0.06	24.0
TRS4010x12M	※★◎	12 (7.0~14.0)	0.06	0.72	5000	4.93	0.14	1.99	0.08	26.0
TRS4010x12H	※★◎	12 (7.0~14.0)	0.08	0.96	6000	5.92	0.17	2.87	0.11	29.5
TRS4010x12VH	※★◎	12 (7.0~14.0)	0.10	1.20	7000	6.91	0.20	3.90	0.15	32.8
TRS4010x24M	※★◎	24 (15.0~27.0)	0.03	0.72	5000	4.93	0.14	1.99	0.08	26.0
TRS4010x24H	※★◎	24 (15.0~27.0)	0.04	0.96	6000	5.92	0.17	2.87	0.11	29.5
TRS4010x24VH	※★◎	24 (15.0~27.0)	0.05	1.20	7000	6.91	0.20	3.90	0.15	32.8
TRS4010x24SH	◎	24 (15.0~27.0)	0.04	1.44	8500	8.39	0.24	5.75	0.23	36.4

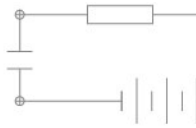
Screw Holes :



⊗ Bearing System ※ : Sleeve ★ : WRB ◎ : Ball

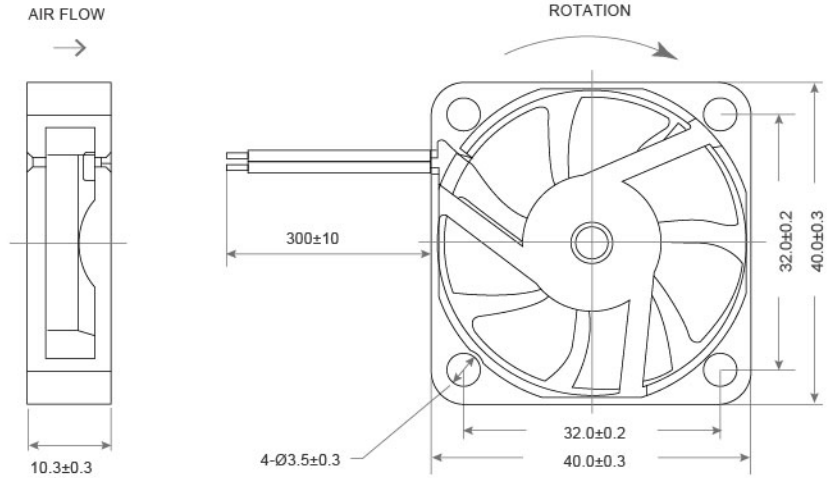
★如果您需要的轉速或電壓或功能不在這份清單上，請與我們業務聯繫 Please contact us, if the SPEC you need is not in the list.

★產品詳細數據及功能請參閱承認書 Please see the approval sheet for more information . ★產品規格變更不另行通知 Specifications are subject to change without notice. ■ A14



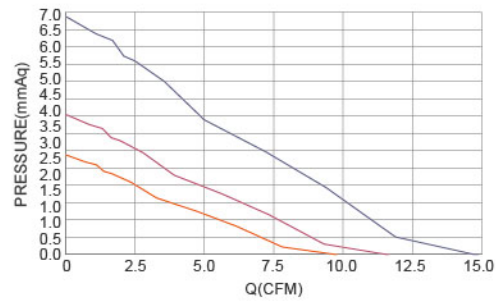
# DC Axial Fan TRS4010 B SERIES 40X40X10mm

DIMENSIONS DRAWING UNIT : mm



- Frame : Thermoplastic PBT UL94-V0  
外框材質：環保防火PBT
- Impeller : Thermoplastic PBT UL94-V0  
扇葉材質：環保防火PBT
- Bearing : ※Sleeve · ★WRB · ◎Two Ball Bearing  
軸承：※含油 · ★WRB · ◎滾珠軸承
- Unit Weight : 16g  
風扇單體重量：16克
- Screw hole diameter 螺絲孔徑：Ø3.5 or Ø4.3

P&Q Curve At Rated Voltage

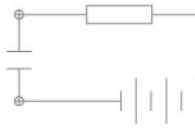


Model No.	Bearing Type	Voltage (VDC)	Current (A)	Power (W)	Speed (RPM)	Air Flow (CFM)	Air Flow (m <sup>3</sup> /min)	Air Pressure (mmH <sub>2</sub> O)	Air Pressure (Inch H <sub>2</sub> O)	Noise (dBA)
TRS4010x05L	※★◎	5 (3.5~6.0)	0.07	0.36	4500	7.85	0.22	1.92	0.08	21.5
TRS4010x05M	※★◎	5 (3.5~6.0)	0.12	0.60	5500	9.59	0.24	2.87	0.11	24.2
TRS4010x05H	※★◎	5 (3.5~6.0)	0.17	0.84	6500	11.33	0.32	4.00	0.16	28.9
TRS4010x05VH	※★◎	5 (3.5~6.0)	0.25	1.23	7500	13.08	0.37	5.33	0.21	30.7
TRS4010x12L	※★◎	12 (7.0~14.0)	0.03	0.36	4500	7.85	0.22	1.92	0.08	21.5
TRS4010x12M	※★◎	12 (7.0~14.0)	0.05	0.60	5500	9.59	0.24	2.87	0.11	24.2
TRS4010x12H	※★◎	12 (7.0~14.0)	0.07	0.84	6500	11.33	0.32	4.00	0.16	28.9
TRS4010x12VH	※★◎	12 (7.0~14.0)	0.10	1.23	7500	13.08	0.37	5.33	0.21	30.7
TRS4010x12SH	※★◎	12 (7.0~14.0)	0.14	1.70	8500	14.82	0.42	6.85	0.27	32.7
TRS4010x24L	※★◎	24 (15.0~27.0)	0.02	0.36	4500	7.85	0.22	1.92	0.08	21.5
TRS4010x24M	※★◎	24 (15.0~27.0)	0.03	0.60	5500	9.59	0.24	2.87	0.11	24.2
TRS4010x24H	※★◎	24 (15.0~27.0)	0.04	0.84	6500	11.33	0.32	4.00	0.16	28.9
TRS4010x24VH	※★◎	24 (15.0~27.0)	0.05	1.23	7500	13.08	0.37	5.33	0.21	30.7
TRS4010x24SH	※★◎	24 (15.0~27.0)	0.07	1.70	8500	14.82	0.42	6.85	0.27	32.7

◎ Bearing System ※ : Sleeve ★ : WRB ◎ : Ball

★如果您需要的轉速或電壓或功能不在這份清單上，請與我們業務聯繫 Please contact us, if the SPEC you need is not in the list.

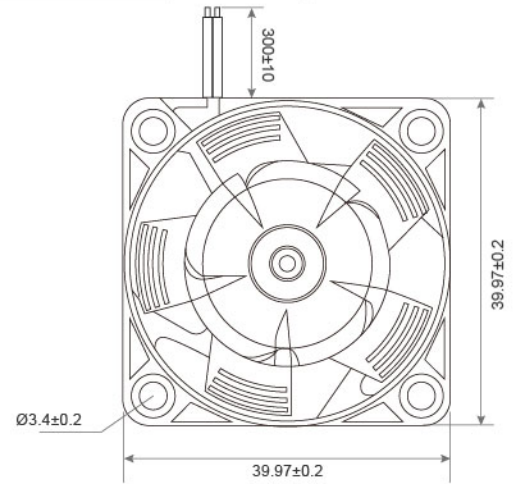
■ A15 ★產品詳細數據及功能請參閱承認書 Please see the approval sheet for more information . ★產品規格變更不另行通知 Specifications are subject to change without notice.



# DC Axial Fan TRS4010 E SERIES 40X40X10mm

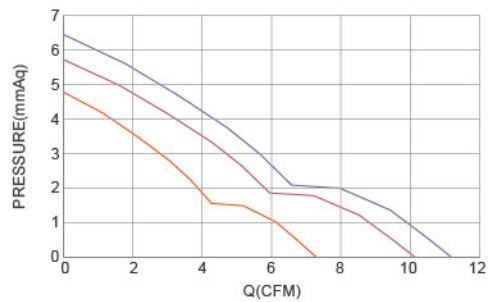


DIMENSIONS DRAWING UNIT : mm



- Frame : Thermoplastic PBT UL94-V0  
外框材質：環保防火PBT
- Impeller : Thermoplastic PBT UL94-V0  
扇葉材質：環保防火PBT
- Bearing : ※Sleeve · ★WRB · ◎Two Ball Bearing  
軸承：※含油 · ★WRB · ◎滾珠軸承
- Unit Weight : 14.6g  
風扇單體重量：14.6克

P&Q Curve At Rated Voltage

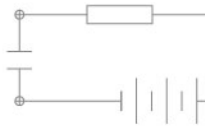


Model No.	Bearing Type	Voltage (VDC)	Current (A)	Power (W)	Speed (RPM)	Air Flow (CFM)	Air Flow (m <sup>3</sup> /min)	Air Pressure (mmH <sub>2</sub> O)	Air Pressure (Inch H <sub>2</sub> O)	Noise (dBA)
TRS4010x05D	※★◎	5 (3.5~6.8)	0.06	0.30	3500	3.20	0.09	2.17	0.09	15.6
TRS4010x05L	※★◎	5 (3.5~6.8)	0.09	0.45	5500	5.07	0.14	3.42	0.14	24.5
TRS4010x05M	※★◎	5 (3.5~6.8)	0.12	0.60	6500	7.24	0.20	4.70	0.18	28.6
TRS4010x05H	※★◎	5 (3.5~6.8)	0.15	0.75	7500	10.22	0.29	5.76	0.23	30.5
TRS4010x05VH	※★◎	5 (5.0~8.4)	0.20	1.00	8000	11.29	0.32	6.49	0.26	33.4
TRS4010x12L	※★◎	12 (6.0~13.5)	0.04	0.48	3500	3.20	0.09	2.17	0.09	15.6
TRS4010x12M	※★◎	12 (6.0~13.5)	0.10	1.20	6000	5.10	0.15	3.50	0.15	25.0
TRS4010x12H	※★◎	12 (6.0~13.5)	0.12	1.44	7500	10.22	0.29	5.76	0.23	30.5
TRS4010x12VH	※★◎	12 (6.0~13.5)	0.15	1.80	8000	11.29	0.32	6.49	0.26	33.4
TRS4010x24M	※★◎	24 (18.0~26.5)	0.03	0.72	3500	3.20	0.09	2.17	0.09	15.6
TRS4010x24H	※★◎	24 (18.0~26.5)	0.06	1.44	7500	10.22	0.29	5.76	0.23	30.5
TRS4010x24VH	※★◎	24 (18.0~26.5)	0.08	1.92	8000	11.29	0.32	6.49	0.26	33.4

◎ Bearing System ※ : Sleeve ★ : WRB ◎ : Ball

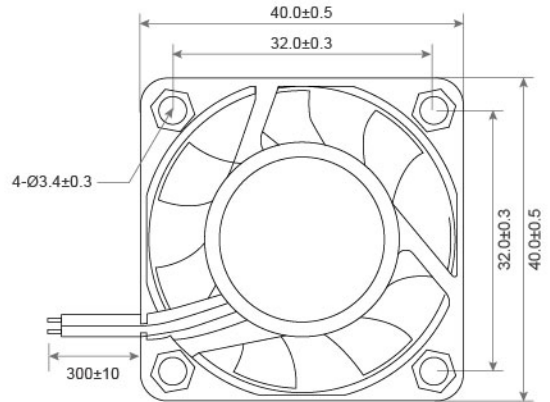
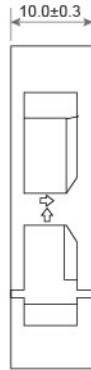
★如果您需要的轉速或電壓或功能不在這份清單上，請與我們業務聯繫 Please contact us, if the SPEC you need is not in the list.





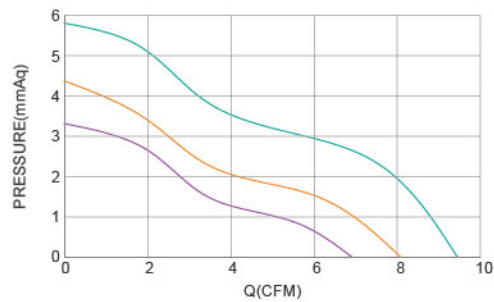
# DC Axial Fan TRS4010 FD SERIES 40X40X10mm

DIMENSIONS DRAWING UNIT : mm



- Frame : Thermoplastic PBT UL94-V0  
外框材質：環保防火PBT
- Impeller : Thermoplastic PBT UL94-V0  
扇葉材質：環保防火PBT
- Bearing : ◎Two Ball Bearing  
軸承：※含油・★WRB・◎滾珠軸承
- Unit Weight : 15g  
風扇單體重量：15克

P&Q Curve At Rated Voltage



Model No.	Bearing Type	Voltage (VDC)	Current (A)	Power (W)	Speed (RPM)	Air Flow (CFM)	Air Flow (m <sup>3</sup> /min)	Air Pressure (mmH <sub>2</sub> O)	Air Pressure (Inch H <sub>2</sub> O)	Noise (dBA)
TRS4010x05L	※★◎	5 (4.5~ 5.5)	0.07	0.35	3800	3.68	0.10	1.41	0.05	20.5
TRS4010x05M	※★◎	5 (4.5~ 5.5)	0.10	0.50	4800	5.84	0.16	2.22	0.08	24.5
TRS4010x05H	※★◎	5 (4.5~ 5.5)	0.13	0.65	5800	6.88	0.19	3.23	0.12	27.5
TRS4010x05VH	※★◎	5 (4.5~ 5.5)	0.19	0.95	6800	8.01	0.22	4.38	0.17	31.5
TRS4010x12L	※★◎	12 (7.2~13.5)	0.05	0.36	3800	3.68	0.10	1.41	0.05	20.5
TRS4010x12M	※★◎	12 (7.2~13.5)	0.06	0.60	4800	5.84	0.16	2.22	0.08	24.5
TRS4010x12H	※★◎	12 (7.2~13.5)	0.08	0.96	5800	6.88	0.19	3.23	0.12	27.5
TRS4010x12VH	※★◎	12 (7.2~13.5)	0.10	1.20	6800	8.01	0.22	4.38	0.17	31.5
TRS4010x12SH	※★◎	12 (7.2~13.5)	0.16	1.92	8000	9.32	0.26	5.71	0.22	38.5

◎ Bearing System ※ : Sleeve ★ : WRB ◎ : Ball

★如果您需要的轉速或電壓或功能不在這份清單上，請與我們業務聯繫 Please contact us, if the SPEC you need is not in the list.

★產品詳細數據及功能請參閱承認書 Please see the approval sheet for more information . ★產品規格變更不另行通知 Specifications are subject to change without notice. ■ A16