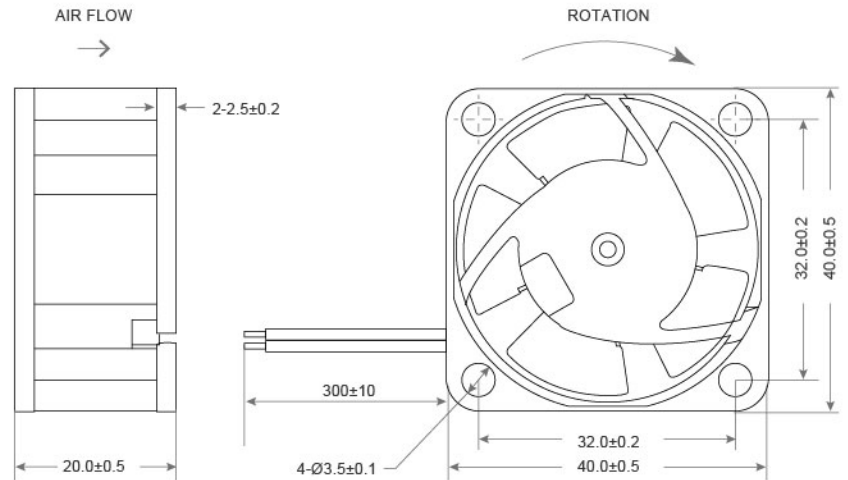


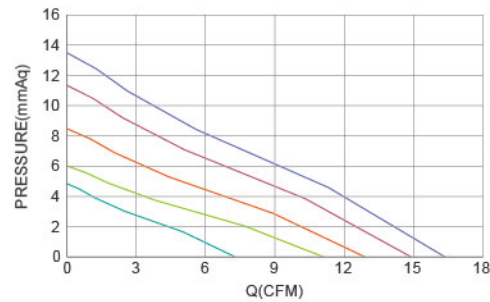
DC Axial Fan TRS4020 SERIES 40X40X20mm

DIMENSIONS DRAWING UNIT : mm



- Frame : Thermoplastic PBT UL94-V0
外框材質：環保防火PBT
- Impeller : Thermoplastic PBT UL94-V0
扇葉材質：環保防火PBT
- Bearing : ※Sleeve · ★WRB · ◎Two Ball Bearing
軸承：※含油 · ★WRB · ◎滾珠軸承
- Unit Weight : 24g
風扇單體重量：24克
- Screw hole diameter 螺絲孔徑：Ø3.5 or Ø4.3

P&Q Curve At Rated Voltage



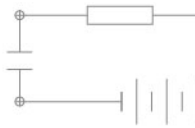
Model No.	Bearing Type	Voltage (VDC)	Current (A)	Power (W)	Speed (RPM)	Air Flow (CFM)	Air Flow (m ³ /min)	Air Pressure (mmH ₂ O)	Air Pressure (Inch H ₂ O)	Noise (dBA)
TRS4020x05D	※★◎	5 (4.0~6.0)	0.12	0.60	5000	5.19	0.15	2.83	0.11	23.5
TRS4020x05L	※★◎	5 (4.0~6.0)	0.14	0.72	6500	6.75	0.19	4.79	0.19	27.2
TRS4020x05M	※★◎	5 (4.0~6.0)	0.16	0.96	8000	11.57	0.33	6.21	0.24	29.8
TRS4020x12D	※★◎	12 (7.0~14.0)	0.05	0.60	5000	5.19	0.15	2.83	0.11	23.5
TRS4020x12L	※★◎	12 (7.0~14.0)	0.06	0.72	6500	6.75	0.19	4.79	0.19	27.2
TRS4020x12M	※★◎	12 (7.0~14.0)	0.08	0.96	8000	11.57	0.33	6.21	0.24	29.8
TRS4020x12H	※★◎	12 (7.0~14.0)	0.10	1.20	9500	12.93	0.37	8.45	0.33	32.8
TRS4020x12VH	※★◎	12 (7.0~14.0)	0.16	1.92	11000	14.97	0.42	11.33	0.45	36.1
TRS4020x12SH	※★◎	12 (7.0~14.0)	0.20	2.40	12000	16.33	0.46	13.48	0.53	39.5
TRS4020x24M	※★◎	24 (15.0~27.0)	0.04	0.96	8000	11.57	0.33	6.21	0.24	29.8
TRS4020x24H	※★◎	24 (15.0~27.0)	0.05	1.20	9500	12.93	0.37	8.45	0.33	32.8
TRS4020x24VH	※★◎	24 (15.0~27.0)	0.08	1.92	11000	14.97	0.42	11.33	0.45	36.1
TRS4020x24SH	※★◎	24 (15.0~27.0)	0.10	2.40	12000	16.33	0.46	13.48	0.53	39.5

Screw Holes :



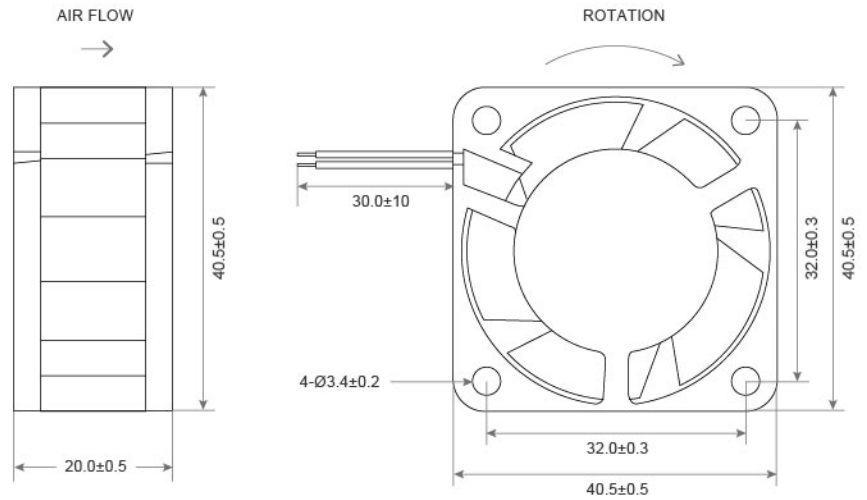
⊗ Bearing System ※ : Sleeve ★ : WRB ◎ : Ball

★如果您需要的轉速或電壓或功能不在這份清單上，請與我們業務聯繫 Please contact us, if the SPEC you need is not in the list.



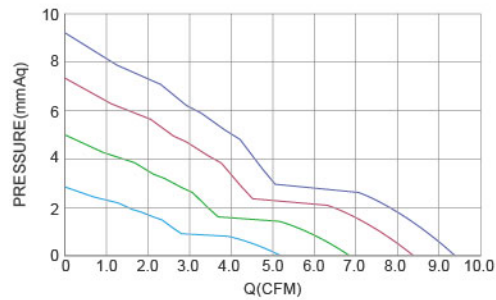
DC Axial Fan TRS4020 B SERIES 40X40X20mm

DIMENSIONS DRAWING UNIT : mm



- Frame : Thermoplastic PBT UL94-V0
外框材質：環保防火PBT
- Impeller : Thermoplastic PBT UL94-V0
扇葉材質：環保防火PBT
- Bearing : ※Sleeve · ★WRB · ◎Two Ball Bearing
軸承：※含油 · ★WRB · ◎滾珠軸承
- Unit Weight : 24g
風扇單體重量：24克
- Screw hole diameter 螺絲孔徑：Ø3.5 or Ø4.3

P&Q Curve At Rated Voltage



Model No.	Bearing Type	Voltage (VDC)	Current (A)	Power (W)	Speed (RPM)	Air Flow (CFM)	Air Flow (m ³ /min)	Air Pressure (mmH ₂ O)	Air Pressure (Inch H ₂ O)	Noise (dBA)
TRS4020x12D	※◎★	12 (7.0~14.0)	0.05	0.60	5000	5.19	0.15	2.83	0.11	29.6
TRS4020x12L	※◎★	12 (7.0~14.0)	0.06	0.72	6500	6.75	0.19	4.79	0.19	27.2
TRS4020x12M	※◎★	12 (7.0~14.0)	0.08	0.96	8000	8.31	0.23	7.25	0.29	36.1
TRS4020x12H	※◎★	12 (7.0~14.0)	0.12	1.44	9000	9.34	0.26	9.18	0.36	38.2

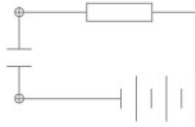
Screw Holes :



⊗ Bearing System ※ : Sleeve ★ : WRB ◎ : Ball

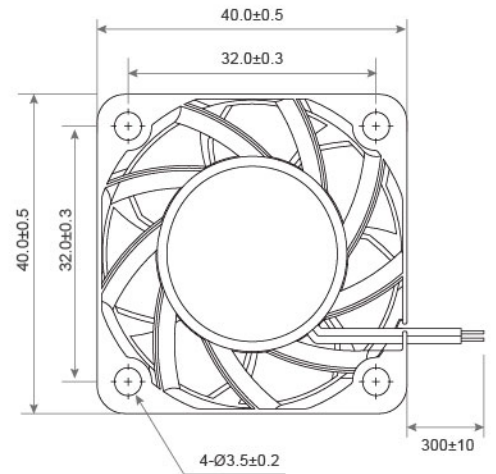
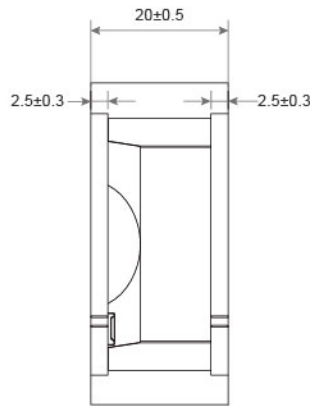
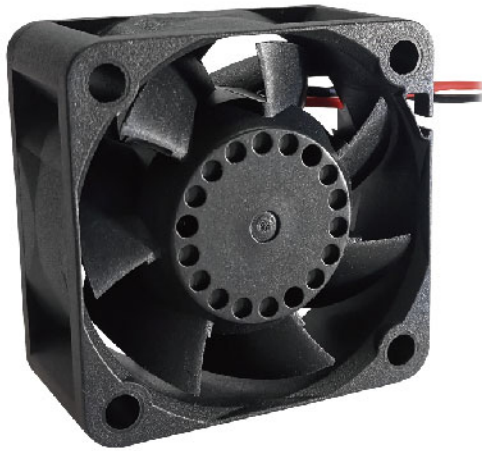
★如果您需要的轉速或電壓或功能不在這份清單上，請與我們業務聯繫 Please contact us, if the SPEC you need is not in the list.

★產品詳細數據及功能請參閱承認書 Please see the approval sheet for more information . ★產品規格變更不另行通知 Specifications are subject to change without notice. ■ A20



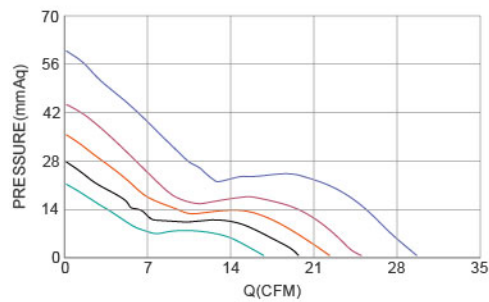
DC Axial Fan TRF4020 B SERIES 40X40X20mm

DIMENSIONS DRAWING UNIT : mm



- Frame : Thermoplastic PBT UL94-V0
外框材質：環保防火PBT
- Impeller : Thermoplastic PBT UL94-V0
扇葉材質：環保防火PBT
- Bearing : ※ Sleeve · ★ WRB · ◎ Two Ball Bearing
軸承：※含油 · ★WRB · ◎滾珠軸承
- Unit Weight : 26g
風扇單體重量：26克

P&Q Curve At Rated Voltage



Model No.	Bearing Type	Voltage (VDC)	Current (A)	Power (W)	Speed (RPM)	Air Flow (CFM)	Air Flow (m ³ /min)	Air Pressure (mmH ₂ O)	Air Pressure (Inch H ₂ O)	Noise (dBA)
TRF4020x12L	※◎★	12 (7.0~13.5)	0.26	3.12	12000	16.6	0.47	20.7	0.82	53.2
TRF4020x12M	※◎★	12 (7.0~13.5)	0.32	3.84	14000	19.6	0.56	27.1	1.07	54.2
TRF4020x12H	※◎★	12 (7.0~13.5)	0.38	4.56	16000	22.2	0.63	35.0	1.38	55.6
TRF4020x12VH	※◎★	12 (7.0~13.5)	0.54	6.48	18000	24.8	0.71	43.8	1.73	58.0
TRF4020x12SH	※◎★	12 (7.0~13.5)	0.64	7.68	20000	29.5	0.84	59.2	2.33	59.5
TRF4020x24L	※◎★	24 (14.5~26.5)	0.13	3.12	12000	16.6	0.47	20.7	0.82	53.2
TRF4020x24M	※◎★	24 (14.5~26.5)	0.16	3.84	14000	19.6	0.56	27.1	1.07	54.2
TRF4020x24H	※◎★	24 (14.5~26.5)	0.19	4.56	16000	22.2	0.63	35.0	1.38	55.6
TRF4020x24VH	※◎★	24 (14.5~26.5)	0.27	6.48	18000	24.8	0.71	43.8	1.73	58.0
TRF4020x24SH	※◎★	24 (14.5~26.5)	0.32	7.68	20000	29.5	0.84	59.2	2.33	59.5

◎ Bearing System ※ : Sleeve ★ : WRB ◎ : Ball

★如果您需要的轉速或電壓或功能不在這份清單上，請與我們業務聯繫 Please contact us, if the SPEC you need is not in the list.

■ A21 ★產品詳細數據及功能請參閱承認書 Please see the approval sheet for more information . ★產品規格變更不另行通知 Specifications are subject to change without notice.