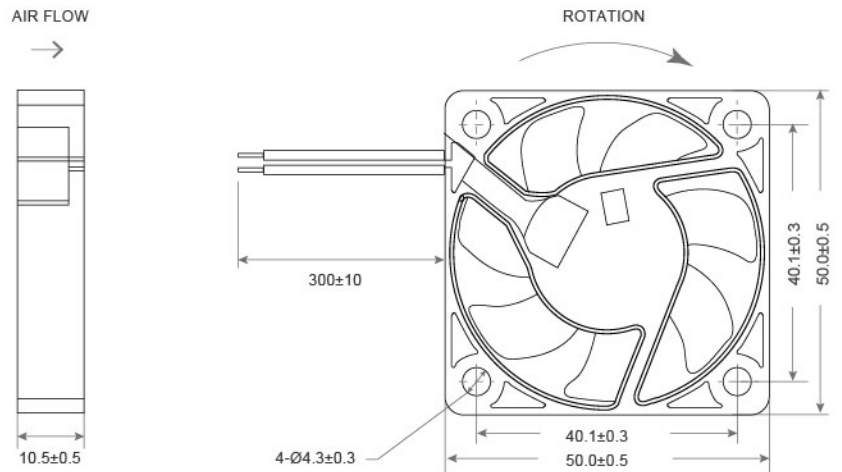


# DC Axial Fan TRS5010 SERIES 50X50X10mm

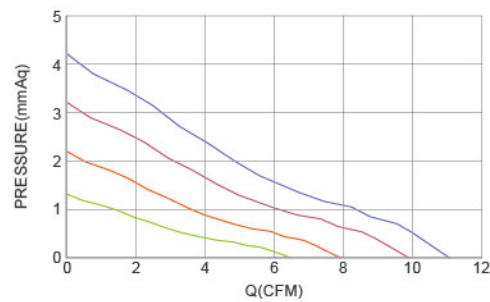


DIMENSIONS DRAWING UNIT : mm



- Frame : Thermoplastic PBT UL94-V0  
外框材質：環保防火PBT
- Impeller : Thermoplastic PBT UL94-V0  
扇葉材質：環保防火PBT
- Bearing : ※ Sleeve · ★ WRB · ◎ Two Ball Bearing  
軸承：※ 含油 · ★ WRB · ◎ 滾珠軸承
- Unit Weight : 16g  
風扇單體重量：16克

P&Q Curve At Rated Voltage



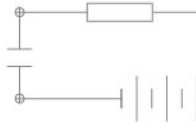
Model No.	Bearing Type	Voltage (VDC)	Current (A)	Power (W)	Speed (RPM)	Air Flow (CFM)	Air Flow (m <sup>3</sup> /min)	Air Pressure (mmH <sub>2</sub> O)	Air Pressure (Inch H <sub>2</sub> O)	Noise (dBA)
TRS5010x05L	※★◎	5 (4.0~5.5)	0.08	0.40	3500	6.25	0.18	1.32	0.05	19.0
TRS5010x05M	※★◎	5 (4.0~5.5)	0.09	0.45	4500	7.98	0.23	2.16	0.09	25.8
TRS5010x05H	※★◎	5 (4.0~5.5)	0.25	1.25	5500	9.72	0.28	3.20	0.13	31.8
TRS5010x12L	※★◎	12 (7.0~14.0)	0.05	0.60	3500	6.25	0.18	1.32	0.05	19.0
TRS5010x12M	※★◎	12 (7.0~14.0)	0.09	1.08	4500	7.98	0.23	2.16	0.09	25.8
TRS5010x12H	※★◎	12 (7.0~14.0)	0.13	1.56	5500	9.72	0.28	3.20	0.13	31.8
TRS5010x12VH	※★◎	12 (7.0~14.0)	0.15	1.80	6300	11.10	0.31	4.18	0.16	34.0
TRS5010x24M	※★◎	24 (15.0~27.0)	0.05	1.20	4500	7.98	0.23	2.16	0.09	25.8
TRS5010x24H	※★◎	24 (15.0~27.0)	0.05	1.20	5500	9.72	0.28	3.20	0.13	31.8
TRS5010x24VH	※★◎	24 (15.0~27.0)	0.06	1.44	6300	10.95	0.31	4.05	0.16	34.0

Screw Holes :



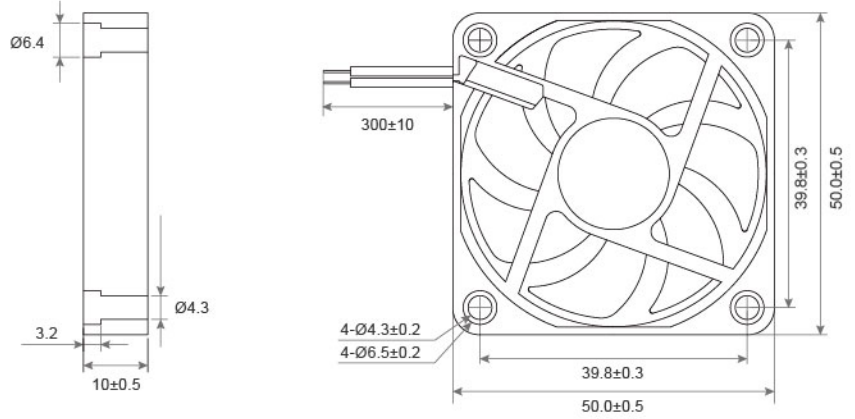
⊗ Bearing System ※ : Sleeve ★ : WRB ◎ : Ball

★如果您需要的轉速或電壓或功能不在這份清單上，請與我們業務聯繫 Please contact us, if the SPEC you need is not in the list.



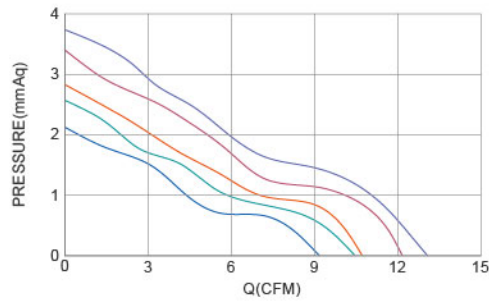
# DC Axial Fan TRS5010 U SERIES 50X50X10mm

DIMENSIONS DRAWING UNIT : mm



- Frame : Thermoplastic PBT UL94-V0  
外框材質：環保防火PBT
- Impeller : Thermoplastic PBT UL94-V0  
扇葉材質：環保防火PBT
- Bearing : ※ Sleeve · ★ WRB · ◎ Two Ball Bearing  
軸承：※ 含油 · ★ WRB · ◎ 滾珠軸承
- Unit Weight : 15g  
風扇單體重量：15克

P&Q Curve At Rated Voltage



Model No.	Bearing Type	Voltage (VDC)	Current (A)	Power (W)	Speed (RPM)	Air Flow		Air Pressure		Noise (dBA)
						(CFM)	(m <sup>3</sup> /min)	(mmH <sub>2</sub> O)	(Inch H <sub>2</sub> O)	
TRS5010x05D	※◎★	5 (3.0~6.0)	0.07	0.36	4000	8.14	0.23	1.65	0.065	26.8
TRS5010x05L	※◎★	5 (3.0~6.0)	0.10	0.48	4500	9.09	0.26	2.05	0.081	29.7
TRS5010x05M	※◎★	5 (3.0~6.0)	0.12	0.60	5000	10.50	0.30	2.58	0.102	31.0
TRS5010x05H	※◎★	5 (3.0~6.0)	0.14	0.72	5500	10.80	0.31	2.84	0.112	33.5
TRS5010x05VH	※◎★	5 (3.0~6.0)	0.17	0.84	6000	12.10	0.35	3.34	0.131	34.2
TRS5010x05SH	※◎★	5 (3.0~6.0)	0.19	0.96	6500	13.40	0.38	3.85	0.152	36.8
TRS5010x12D	※◎★	12 (8.5~13.5)	0.03	0.36	4000	8.14	0.23	1.65	0.065	26.8
TRS5010x12L	※◎★	12 (8.5~13.5)	0.04	0.48	4500	9.09	0.26	2.05	0.081	29.7
TRS5010x12M	※◎★	12 (8.5~13.5)	0.05	0.60	5000	10.50	0.30	2.58	0.102	31.0
TRS5010x12H	※◎★	12 (8.5~13.5)	0.06	0.72	5500	10.80	0.31	2.84	0.112	33.5
TRS5010x12VH	※◎★	12 (8.5~13.5)	0.07	0.84	6000	12.10	0.35	3.34	0.131	34.2
TRS5010x12SH	※◎★	12 (8.5~13.5)	0.08	0.96	6500	13.40	0.38	3.85	0.152	36.8

◎ Bearing System ※ : Sleeve ★ : WRB ◎ : Ball

★如果您需要的轉速或電壓或功能不在這份清單上，請與我們業務聯繫 Please contact us, if the SPEC you need is not in the list.

★產品詳細數據及功能請參閱承認書 Please see the approval sheet for more information . ★產品規格變更不另行通知 Specifications are subject to change without notice. A28