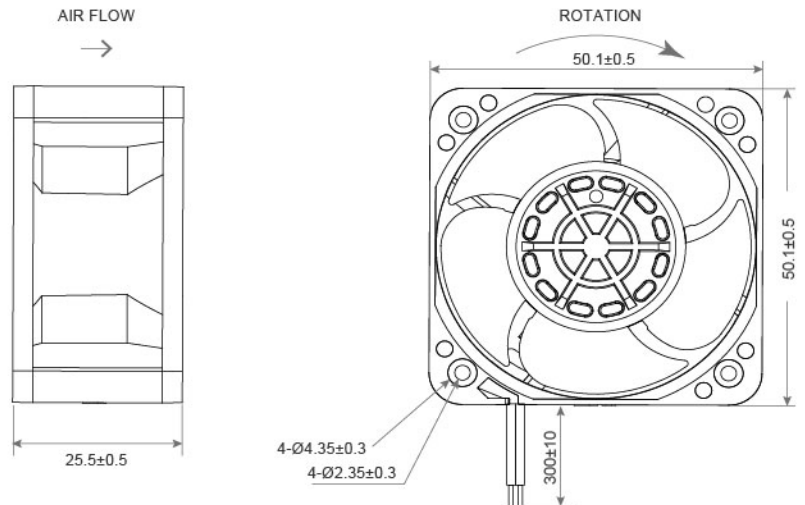


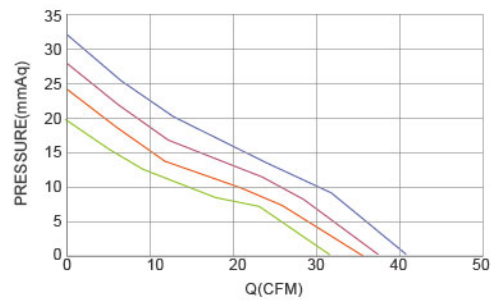
# DC Axial Fan TRS5025 U SERIES 50X50X25mm

DIMENSIONS DRAWING UNIT : mm



- Frame : Thermoplastic PBT UL94-V0  
外框材質：環保防火PBT
- Impeller : Thermoplastic PBT UL94-V0  
扇葉材質：環保防火PBT
- Bearing : ※ Sleeve · ★ WRB · ◎ Two Ball Bearing  
軸承：※含油 · ★ WRB · ◎滾珠軸承
- Unit Weight : 47g  
風扇單體重量：47克

P&Q Curve At Rated Voltage



Model No.	Bearing Type	Voltage (VDC)	Current (A)	Power (W)	Speed (RPM)	Air Flow (CFM)	Air Flow (m <sup>3</sup> /min)	Air Pressure (mmH <sub>2</sub> O)	Air Pressure (Inch H <sub>2</sub> O)	Noise (dBA)
TRS5025x12L	※★◎	12 (7.0~13.5)	0.30	3.60	11000	31.7	0.89	19.0	0.75	48.4
TRS5025x12M	※★◎	12 (7.0~13.5)	0.37	4.44	12000	35.5	1.01	24.6	0.97	52.2
TRS5025x12H	※★◎	12 (7.0~13.5)	0.50	6.00	13000	37.5	1.06	27.5	1.08	55.9
TRS5020x12VH	※★◎	12 (7.0~13.5)	0.56	6.72	14000	40.6	1.15	31.6	1.25	56.8
TRS5025x24L	※★◎	24 (18.0~26.5)	0.15	3.60	11000	31.7	0.89	19.0	0.75	48.4
TRS5025x24M	※★◎	24 (18.0~26.5)	0.19	4.44	12000	35.5	1.01	24.6	0.97	52.2
TRS5025x24H	※★◎	24 (18.0~26.5)	0.25	6.00	13000	37.5	1.06	27.5	1.08	55.9
TRS5025x24VH	※★◎	24 (18.0~26.5)	0.28	6.72	14000	40.6	1.15	31.6	1.25	56.8

⊗ Bearing System ※ : Sleeve ★ : WRB ◎ : Ball

★如果您需要的轉速或電壓或功能不在這份清單上，請與我們業務聯繫 Please contact us, if the SPEC you need is not in the list.

★產品詳細數據及功能請參閱承認書 Please see the approval sheet for more information . ★產品規格變更不另行通知 Specifications are subject to change without notice. ■ A32