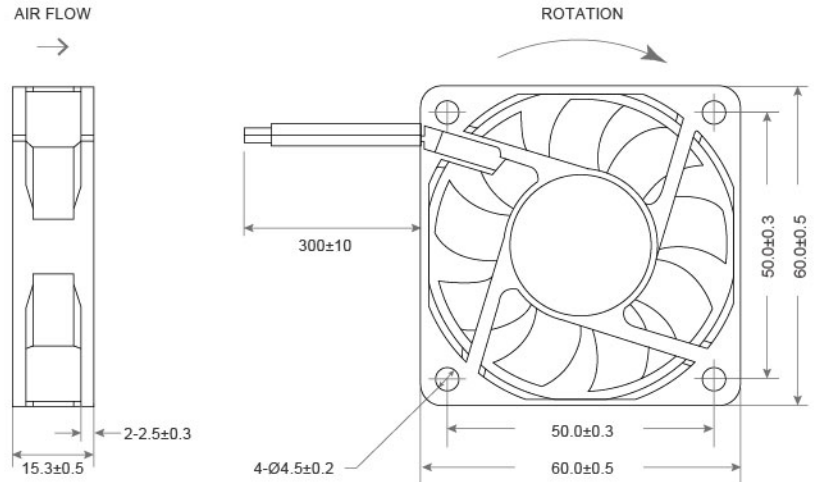


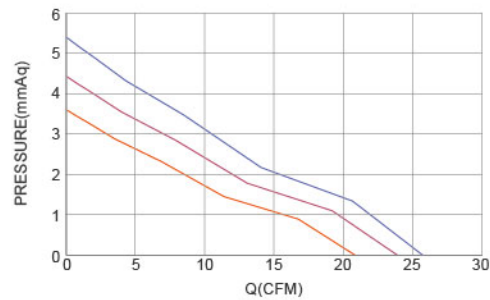
# DC Axial Fan TRS6015 SERIES 60X60X15mm

DIMENSIONS DRAWING UNIT : mm



- Frame : Thermoplastic PBT UL94-V0  
外框材質：環保防火PBT
- Impeller : Thermoplastic PBT UL94-V0  
扇葉材質：環保防火PBT
- Bearing : ※Sleeve · ★WRB · ◎Two Ball Bearing  
軸承：※含油 · ★WRB · ◎滾珠軸承
- Unit Weight : 28g  
風扇單體重量：28克

P&Q Curve At Rated Voltage



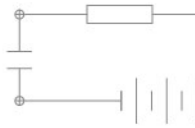
Model No.	Bearing Type	Voltage (VDC)	Current (A)	Power (W)	Speed (RPM)	Air Flow (CFM)	Air Flow (m <sup>3</sup> /min)	Air Pressure (mmH <sub>2</sub> O)	Air Pressure (Inch H <sub>2</sub> O)	Noise (dBA)
TRS6015x05D	※★◎	5 (4.0~5.5)	0.29	1.45	3000	13.01	0.37	1.86	0.07	29.2
TRS6015x05L	※★◎	5 (4.0~5.5)	0.36	1.80	3500	16.20	0.46	2.18	0.09	30.0
TRS6015x05M	※★◎	5 (4.0~5.5)	0.46	2.30	4000	18.51	0.52	2.85	0.11	31.5
TRS6015x12D	※★◎	12 (7.0~14.0)	0.04	0.48	3000	13.01	0.37	1.86	0.07	29.2
TRS6015x12L	※★◎	12 (7.0~14.0)	0.05	0.60	3500	16.20	0.46	2.18	0.10	30.0
TRS6015x12M	※★◎	12 (7.0~14.0)	0.10	1.20	4000	18.51	0.52	2.85	0.11	31.5
TRS6015x12H	※★◎	12 (7.0~14.0)	0.16	1.92	4500	20.82	0.59	3.60	0.14	34.5
TRS6015x12VH	※★◎	12 (7.0~14.0)	0.18	2.16	5000	23.14	0.65	4.45	0.18	35.4
TRS6015x12SH	※★◎	12 (7.0~14.0)	0.20	2.40	5500	25.45	0.72	5.38	0.21	38.0
TRS6015x24L	※★◎	24 (15.0~27.0)	0.03	0.60	3500	16.20	0.46	2.18	0.09	30.0
TRS6015x24M	※★◎	24 (15.0~27.0)	0.05	1.20	4000	18.51	0.52	2.85	0.11	31.5
TRS6015x24H	※★◎	24 (15.0~27.0)	0.08	1.92	4500	20.82	0.59	3.60	0.14	34.5
TRS6015x24VH	※★◎	24 (15.0~27.0)	0.09	2.16	5000	23.14	0.65	4.45	0.18	35.4
TRS6015x24SH	※★◎	24 (15.0~27.0)	0.10	2.40	5500	25.45	0.72	5.38	0.21	38.0

Screw Holes :



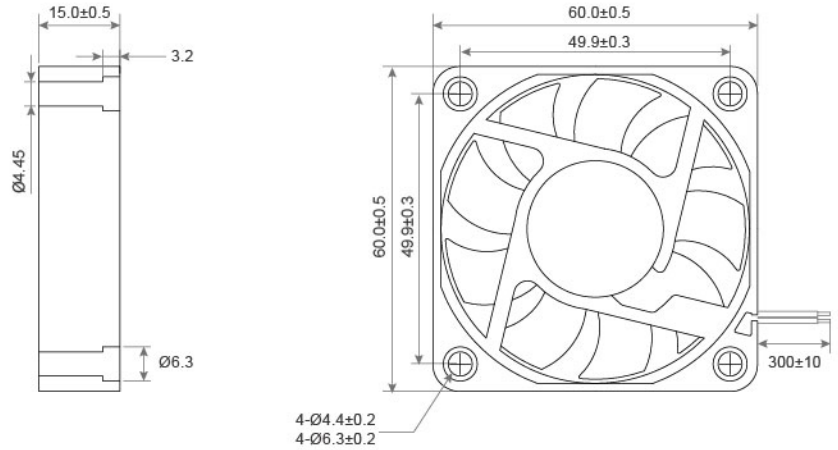
⊗ Bearing System ※ : Sleeve ★ : WRB ◎ : Ball

★如果您需要的轉速或電壓或功能不在這份清單上，請與我們業務聯繫 Please contact us, if the SPEC you need is not in the list.



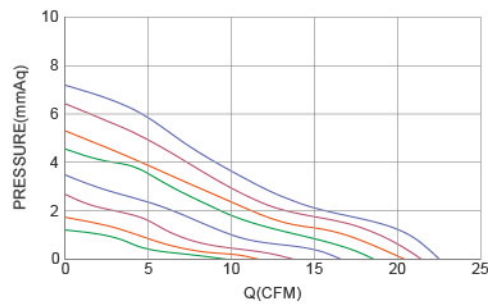
# DC Axial Fan TRS6015 U SERIES 60X60X15mm

DIMENSIONS DRAWING UNIT : mm



- Frame : Thermoplastic PBT UL94-V0  
外框材質：環保防火PBT
- Impeller : Thermoplastic PBT UL94-V0  
扇葉材質：環保防火PBT
- Bearing : ※ Sleeve · ★ WRB · ◎ Two Ball Bearing  
軸承：※含油 · ★WRB · ◎滾珠軸承
- Unit Weight : 38g  
風扇單體重量：38克

P&Q Curve At Rated Voltage



Model No.	Bearing Type	Voltage (VDC)	Current (A)	Power (W)	Speed (RPM)	Air Flow		Air Pressure		Noise (dBA)
						(CFM)	(m <sup>3</sup> /min)	(mmH <sub>2</sub> O)	(Inch H <sub>2</sub> O)	
TRS6015x05D	※★◎	5 (1.8~6.0)	0.14	0.72	2000	9.4	0.27	1.34	0.05	21.1
TRS6015x05L	※★◎	5 (1.8~6.0)	0.19	0.96	3000	11.5	0.33	1.86	0.07	24.8
TRS6015x05M	※★◎	5 (1.8~6.0)	0.24	1.20	3500	14.2	0.41	2.61	0.10	29.8
TRS6015x05H	※★◎	5 (1.8~6.0)	0.29	1.44	4000	16.4	0.47	3.50	0.14	31.2
TRS6015x12D	※★◎	12 (7.0~13.5)	0.06	0.72	2000	9.4	0.27	1.34	0.05	21.1
TRS6015x12L	※★◎	12 (7.0~13.5)	0.08	0.96	3000	11.5	0.33	1.86	0.07	24.8
TRS6015x12M	※★◎	12 (7.0~13.5)	0.10	1.20	3500	14.2	0.41	2.61	0.10	29.8
TRS6015x12H	※★◎	12 (7.0~13.5)	0.12	1.44	4000	16.4	0.47	3.50	0.14	31.2
TRS6015x12VH	※★◎	12 (7.0~13.5)	0.14	1.68	4500	18.3	0.52	4.35	0.17	34.8
TRS6015x12SH	※★◎	12 (7.0~13.5)	0.16	1.92	5000	20.5	0.58	5.34	0.21	36.6
TRS6015x12UH	※★◎	12 (7.0~13.5)	0.18	2.16	5500	22.5	0.64	6.35	0.25	39.0
TRS6015x12XH	◎	12 (7.0~13.5)	0.20	2.40	6000	23.4	0.66	7.33	0.29	41.0
TRS6015x24D	※★◎	24 (18.0~26.5)	0.03	0.72	2000	9.4	0.27	1.34	0.05	21.1
TRS6015x24L	※★◎	24 (18.0~26.5)	0.04	0.96	3000	11.5	0.33	1.86	0.07	24.8
TRS6015x24M	※★◎	24 (18.0~26.5)	0.05	1.20	3500	14.2	0.41	2.61	0.10	29.8
TRS6015x24H	※★◎	24 (18.0~26.5)	0.06	1.44	4000	16.4	0.47	3.50	0.14	31.2
TRS6015x24VH	※★◎	24 (18.0~26.5)	0.07	1.68	4500	18.3	0.52	4.35	0.17	34.8
TRS6015x24SH	※★◎	24 (18.0~26.5)	0.08	1.92	5000	20.5	0.58	5.34	0.21	36.6
TRS6015x24UH	※★◎	24 (18.0~26.5)	0.09	2.16	5500	22.5	0.64	6.35	0.25	39.0
TRS6015x24XH	◎	24 (18.0~26.5)	0.10	2.40	6000	23.4	0.66	7.33	0.29	41.0

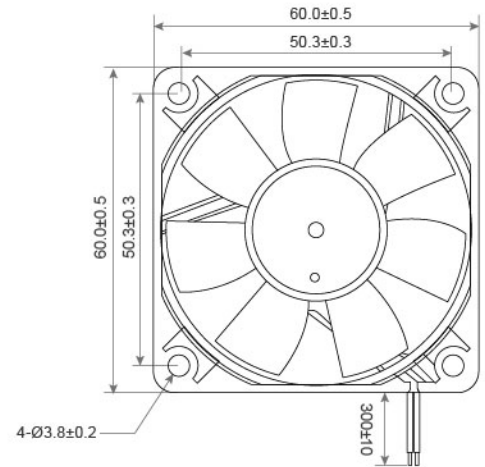
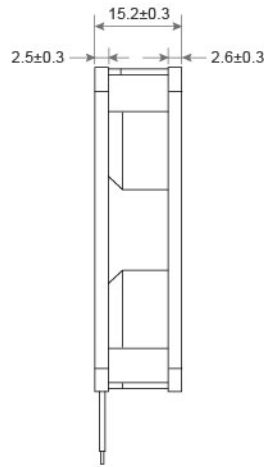
◎ Bearing System ※ : Sleeve ★ : WRB ◎ : Ball

★如果您需要的轉速或電壓或功能不在這份清單上，請與我們業務聯繫 Please contact us, if the SPEC you need is not in the list.

★產品詳細數據及功能請參閱承認書 Please see the approval sheet for more information . ★產品規格變更不另行通知 Specifications are subject to change without notice. ■ A36

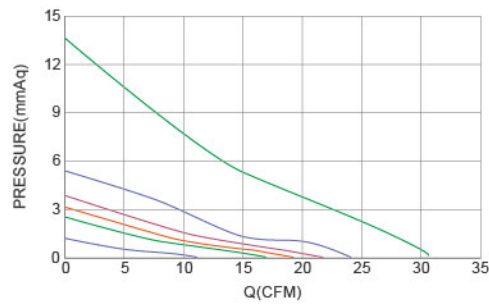


DIMENSIONS DRAWING UNIT : mm



- Frame : Thermoplastic PBT UL94-V0  
外框材質：環保防火PBT
- Impeller : Thermoplastic PBT UL94-V0  
扇葉材質：環保防火PBT
- Bearing : ※Sleeve · ★WRB · ◎Two Ball Bearing  
軸承：※含油 · ★WRB · ◎滾珠軸承
- Unit Weight : 30g  
風扇單體重量：30克

P&Q Curve At Rated Voltage



Model No.	Bearing Type	Voltage (VDC)	Current (A)	Power (W)	Speed (RPM)	Air Flow (CFM)	Air Flow (m <sup>3</sup> /min)	Air Pressure (mmH <sub>2</sub> O)	Air Pressure (Inch H <sub>2</sub> O)	Noise (dBA)
TRY6015x12D	※★◎	12 (7.5~13.2)	0.04	0.48	2650	11.15	0.31	1.19	0.05	16.0
TRY6015x12L	※★◎	12 (7.5~13.2)	0.09	1.09	3900	17.01	0.48	2.46	0.10	27.0
TRY6015x12M	※★◎	12 (7.5~13.2)	0.13	1.56	4500	19.36	0.55	3.10	0.12	31.0
TRY6015x12H	※★◎	12 (7.5~13.2)	0.18	2.16	5100	21.80	0.62	3.81	0.15	35.0
TRY6015x12VH	※★◎	12 (7.5~13.2)	0.24	2.88	5700	24.20	0.69	5.33	0.21	39.5
TRY6015x12SH	※★◎	12 (7.5~13.2)	0.32	3.84	7000	30.50	0.87	13.97	0.55	47.5
TRY6015x12D	※★◎	24 (14.0~26.2)	0.02	0.48	2650	11.15	0.31	1.19	0.05	16.0
TRY6015x12L	※★◎	24 (14.0~26.2)	0.04	0.96	3900	17.01	0.48	2.46	0.10	27.0
TRY6015x12M	※★◎	24 (14.0~26.2)	0.07	1.56	4500	19.36	0.55	3.10	0.12	31.0
TRY6015x12H	※★◎	24 (14.0~26.2)	0.09	2.16	5100	21.80	0.62	3.81	0.15	35.0
TRY6015x12VH	※★◎	24 (14.0~26.2)	0.12	2.88	5700	24.20	0.69	5.33	0.21	39.5
TRY6015x12SH	※★◎	24 (14.0~26.2)	0.16	3.84	7000	30.50	0.87	13.97	0.55	47.5

◎ Bearing System ※ : Sleeve ★ : WRB ◎ : Ball

★如果您需要的轉速或電壓或功能不在這份清單上，請與我們業務聯繫 Please contact us, if the SPEC you need is not in the list.

★產品詳細數據及功能請參閱承認書 Please see the approval sheet for more information . ★產品規格變更不另行通知 Specifications are subject to change without notice. ■ A36