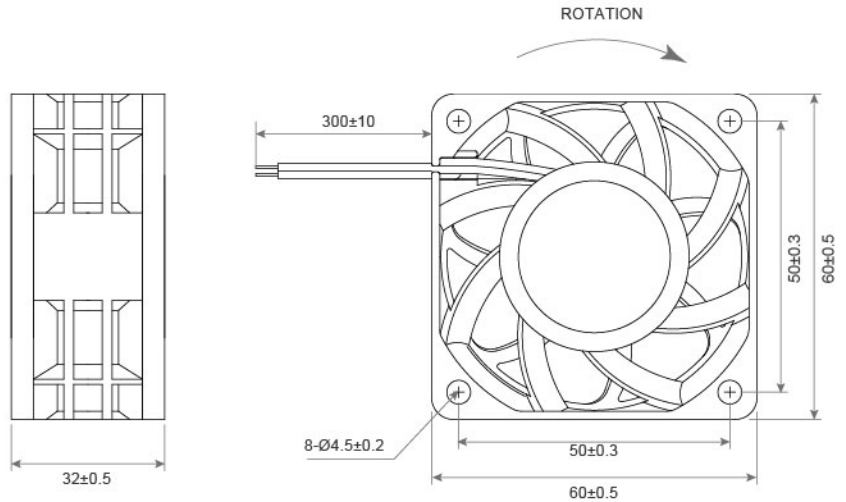
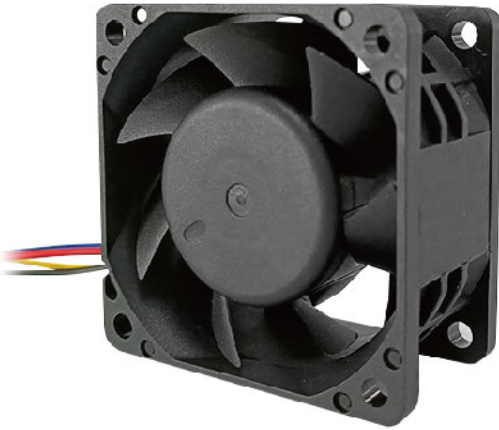


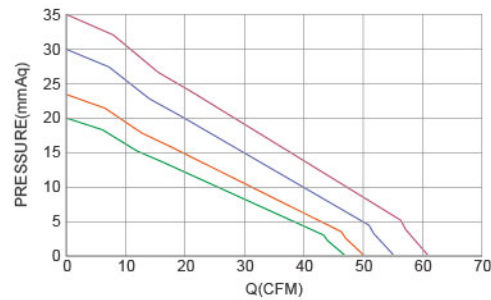
# DC Axial Fan TRS6032 U SERIES 60X60X32mm

DIMENSIONS DRAWING UNIT : mm



- Frame : Thermoplastic PBT UL94-V0  
外框材質：環保防火PBT
- Impeller : Thermoplastic PBT UL94-V0  
扇葉材質：環保防火PBT
- Bearing : ※ Sleeve · ★ WRB · ◎ Two Ball Bearing  
軸承：※ 含油 · ★ WRB · ◎ 滾珠軸承
- Unit Weight : 96.5g  
風扇單體重量：96.5克

P&Q Curve At Rated Voltage

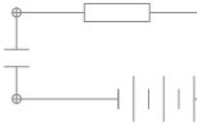


Model No.	Bearing Type	Voltage (VDC)	Current (A)	Power (W)	Speed (RPM)	Air Flow (CFM)	Air Flow (m <sup>3</sup> /min)	Air Pressure (mmH <sub>2</sub> O)	Air Pressure (Inch H <sub>2</sub> O)	Noise (dBA)
TRS6032x12D	※★◎	12 ( 7.0~13.5)	0.51	6.16	7000	40.2	1.14	15.7	2.11	53.5
TRS6032x12L	※★◎	12 ( 7.0~13.5)	0.68	8.10	8000	45.9	1.30	20.1	2.13	54.1
TRS6032x12M	※★◎	12 ( 7.0~13.5)	0.94	11.28	9000	49.5	1.40	23.4	2.20	55.9
TRS6032x12H	※★◎	12 ( 7.0~13.5)	1.26	15.12	10000	55.2	1.56	29.3	2.47	62.6
TRS6032x12VH	※★◎	12 ( 7.0~13.5)	1.60	19.20	11000	60.3	1.71	35.0	2.68	68.0
TRS6032x24D	※★◎	24 (18.0~26.5)	0.26	6.16	7000	40.2	1.14	15.7	2.11	53.5
TRS6032x24L	※★◎	24 (18.0~26.5)	0.34	8.10	8000	45.9	1.30	20.1	2.13	54.1
TRS6032x24M	※★◎	24 (18.0~26.5)	0.47	11.28	9000	49.5	1.40	23.4	2.20	55.9
TRS6032x24H	※★◎	24 (18.0~26.5)	0.63	15.12	10000	55.2	1.56	29.3	2.47	62.6
TRS6032x24VH	※★◎	24 (18.0~26.5)	0.80	19.20	11000	60.3	1.71	35.0	2.68	68.0
TRS6032x48D	※★◎	48 (36.0~54.0)	0.13	6.16	7000	40.2	1.14	15.7	2.11	53.5
TRS6032x48L	※★◎	48 (36.0~54.0)	0.17	8.10	8000	45.9	1.30	20.1	2.13	54.1
TRS6032x48M	※★◎	48 (36.0~54.0)	0.24	11.28	9000	49.5	1.40	23.4	2.20	55.9
TRS6032x48H	※★◎	48 (36.0~54.0)	0.32	15.12	10000	55.2	1.56	29.3	2.47	62.6
TRS6032x48VH	※★◎	48 (36.0~54.0)	0.40	19.20	11000	60.3	1.71	35.0	2.68	68.0

⊗ Bearing System ※ : Sleeve ★ : WRB ◎ : Ball

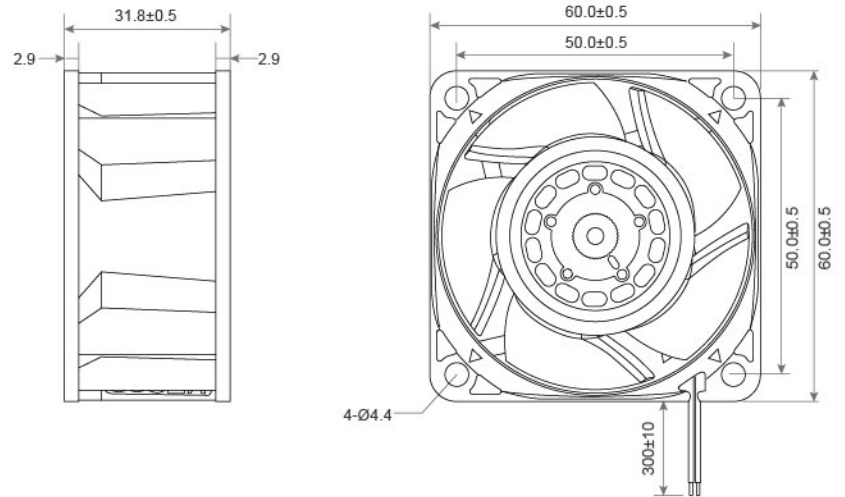
★如果您需要的轉速或電壓或功能不在這份清單上，請與我們業務聯繫 Please contact us, if the SPEC you need is not in the list.

★產品詳細數據及功能請參閱承認書 Please see the approval sheet for more information . ★產品規格變更不另行通知 Specifications are subject to change without notice. ■ A44



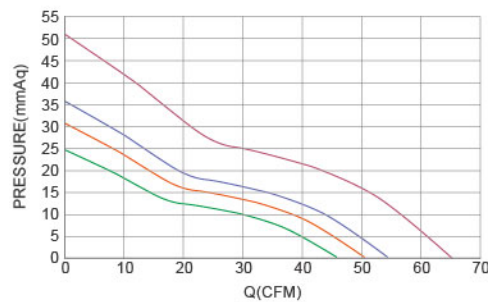
# DC Axial Fan TRF6032 SERIES 60X60X32mm

DIMENSIONS DRAWING UNIT : mm



- Frame : Thermoplastic PBT UL94-V0  
外框材質：環保防火PBT
- Impeller : Thermoplastic PBT UL94-V0  
扇葉材質：環保防火PBT
- Bearing : ※Sleeve · ★WRB · ◎Two Ball Bearing  
軸承：※含油 · ★WRB · ◎滾珠軸承
- Unit Weight : 92.0g  
風扇單體重量：92.0克

P&Q Curve At Rated Voltage



Model No.	Bearing Type	Voltage (VDC)	Current (A)	Power (W)	Speed (RPM)	Air Flow (CFM)	Air Flow (m <sup>3</sup> /min)	Air Pressure (mmH <sub>2</sub> O)	Air Pressure (Inch H <sub>2</sub> O)	Noise (dBA)
TRF6032x12D	※★◎	12 ( 7.5~13.5)	0.21	2.60	7000	32.67	0.92	12.67	0.49	45.0
TRF6032x12L	※★◎	12 ( 7.5~13.5)	0.29	3.50	8000	36.99	1.05	16.35	0.64	47.0
TRF6032x12M	※★◎	12 ( 7.5~13.5)	0.37	4.50	9000	41.18	1.16	20.62	0.81	49.0
TRF6032x12H	※★◎	12 ( 7.5~13.5)	0.50	6.00	10000	45.37	1.28	24.95	0.98	51.0
TRF6032x12VH	※★◎	12 ( 7.5~13.5)	0.68	8.16	11000	50.05	1.42	30.17	1.18	53.0
TRF6032x12SH	※★◎	12 ( 7.5~13.5)	0.83	10.00	12000	54.42	1.54	35.52	1.39	55.0
TRF6032x12XH	※★◎	12 ( 7.5~13.5)	1.40	16.80	14500	65.61	1.86	51.03	1.45	61.5
TRF6032x24D	※★◎	24 (14.5~27.5)	0.11	2.64	7000	32.67	0.92	12.67	0.49	45.0
TRF6032x24L	※★◎	24 (14.5~27.5)	0.14	3.60	8000	36.99	1.05	16.35	0.64	47.0
TRF6032x24M	※★◎	24 (14.5~27.5)	0.19	4.56	9000	41.18	1.16	20.62	0.81	49.0
TRF6032x24H	※★◎	24 (14.5~27.5)	0.25	6.00	10000	45.37	1.28	24.95	0.98	51.0
TRF6032x24VH	※★◎	24 (14.5~27.5)	0.34	8.16	11000	50.05	1.42	30.17	1.18	53.0
TRF6032x24SH	※★◎	24 (14.5~27.5)	0.42	10.00	12000	54.42	1.54	35.52	1.39	55.0
TRF6032x24XH	※★◎	24 (14.5~27.5)	0.70	16.80	14500	65.61	1.86	51.03	1.45	61.5
TRF6032x48D	※★◎	48 (36.0~54.5)	0.06	2.88	7000	32.67	0.92	12.67	0.49	45.0
TRF6032x48L	※★◎	48 (36.0~54.5)	0.07	3.45	8000	36.99	1.05	16.35	0.64	47.0
TRF6032x48M	※★◎	48 (36.0~54.5)	0.10	4.56	9000	41.18	1.16	20.62	0.81	49.0
TRF6032x48H	※★◎	48 (36.0~54.5)	0.13	6.24	10000	45.37	1.28	24.95	0.98	51.0
TRF6032x48VH	※★◎	48 (36.0~54.5)	0.17	8.16	11000	50.05	1.42	30.17	1.18	53.0
TRF6032x48SH	※★◎	48 (36.0~54.5)	0.21	10.00	12000	54.42	1.54	35.52	1.39	55.0
TRF6032x48XH	※★◎	48 (36.0~54.5)	0.35	16.80	14500	65.61	1.86	51.03	1.45	61.5

★如果您需要的轉速或電壓或功能不在這份清單上，請與我們業務聯繫 Please contact us, if the SPEC you need is not in the list.

★產品詳細數據及功能請參閱承認書 Please see the approval sheet for more information . ★產品規格變更不另行通知 Specifications are subject to change without notice. ■ A44