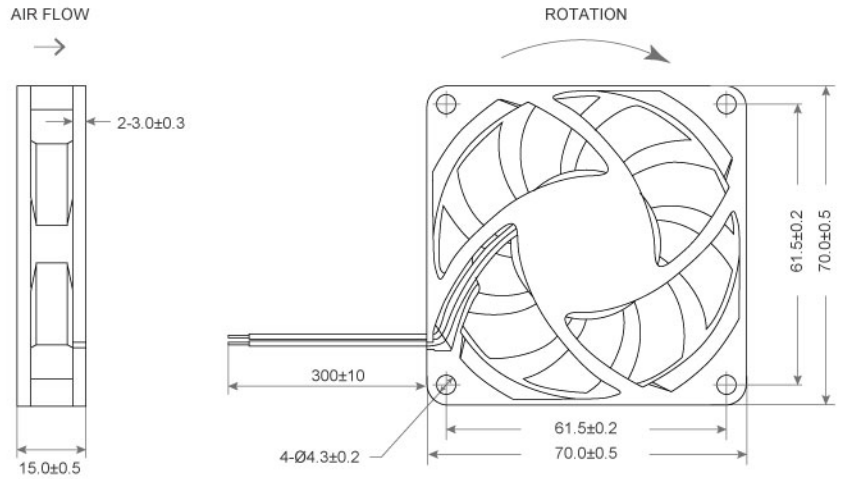
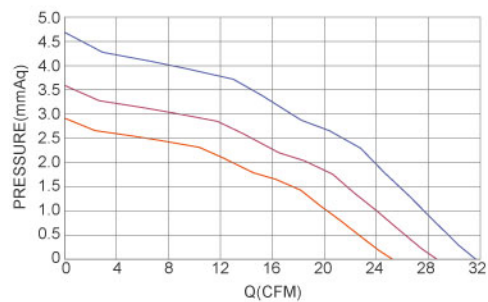


**DIMENSIONS DRAWING** UNIT : mm



- Frame : Thermoplastic PBT UL94-V0  
外框材質：環保防火PBT
- Impeller : Thermoplastic PBT UL94-V0  
扇葉材質：環保防火PBT
- Bearing : ※ Sleeve · ★ WRB · ◎ Two Ball Bearing  
軸承：※含油 · ★ WRB · ◎ 滾珠軸承
- Unit Weight : 42g  
風扇單體重量：42克

**P&Q Curve** At Rated Voltage



| Model No.    | Bearing Type | Voltage (VDC)  | Current (A) | Power (W) | Speed (RPM) | Air Flow (CFM) | Air Flow (m <sup>3</sup> /min) | Air Pressure (mmH <sub>2</sub> O) | Air Pressure (Inch H <sub>2</sub> O) | Noise (dBA) |
|--------------|--------------|----------------|-------------|-----------|-------------|----------------|--------------------------------|-----------------------------------|--------------------------------------|-------------|
| TRS7015x05D  | ※★◎          | 5 (4.0~6.0)    | 0.19        | 1.10      | 2500        | 17.90          | 0.58                           | 1.50                              | 0.06                                 | 28.6        |
| TRS7015x05L  | ※★◎          | 5 (4.0~6.0)    | 0.28        | 1.40      | 3000        | 21.40          | 0.68                           | 2.20                              | 0.09                                 | 30.4        |
| TRS7015x05M  | ※★◎          | 5 (4.0~6.0)    | 0.46        | 2.30      | 3500        | 24.90          | 0.78                           | 2.90                              | 0.11                                 | 32.0        |
| TRS7015x12D  | ※★◎          | 12 (7.0~14.0)  | 0.09        | 1.08      | 2500        | 17.90          | 0.58                           | 1.50                              | 0.11                                 | 28.6        |
| TRS7015x12L  | ※★◎          | 12 (7.0~14.0)  | 0.12        | 1.44      | 3000        | 21.40          | 0.61                           | 2.20                              | 0.15                                 | 30.4        |
| TRS7015x12M  | ※★◎          | 12 (7.0~14.0)  | 0.20        | 2.40      | 3500        | 24.90          | 0.70                           | 2.90                              | 0.19                                 | 32.0        |
| TRS7015x12H  | ※★◎          | 12 (7.0~14.0)  | 0.24        | 2.88      | 4000        | 28.30          | 0.80                           | 3.61                              | 0.15                                 | 35.6        |
| TRS7015x12VH | ※★◎          | 12 (7.0~14.0)  | 0.26        | 3.12      | 4500        | 31.80          | 0.90                           | 4.57                              | 0.18                                 | 38.3        |
| TRS7015x24L  | ※★◎          | 24 (15.0~27.0) | 0.06        | 1.44      | 3000        | 21.40          | 0.61                           | 2.20                              | 0.09                                 | 30.4        |
| TRS7015x24M  | ※★◎          | 24 (15.0~27.0) | 0.10        | 2.40      | 3500        | 24.90          | 0.70                           | 2.90                              | 0.11                                 | 32.0        |
| TRS7015x24H  | ※★◎          | 24 (15.0~27.0) | 0.12        | 2.88      | 4000        | 28.30          | 0.80                           | 3.87                              | 0.15                                 | 35.6        |
| TRS7015x24VH | ※★◎          | 24 (15.0~27.0) | 0.13        | 3.12      | 4500        | 31.80          | 0.90                           | 4.80                              | 0.19                                 | 38.3        |

⊗ Bearing System ※ : Sleeve ★ : WRB ◎ : Ball

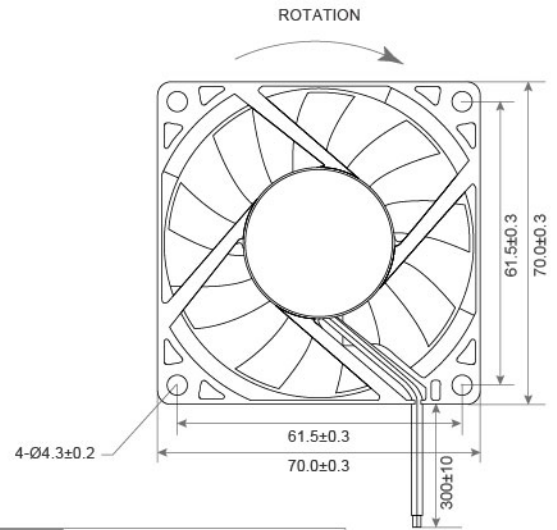
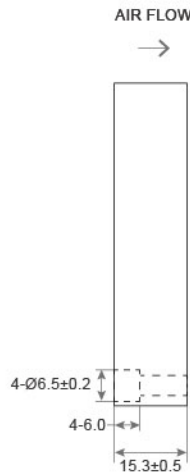
★如果您需要的轉速或電壓或功能不在這份清單上，請與我們業務聯繫 Please contact us, if the SPEC you need is not in the list.

★產品詳細數據及功能請參閱承認書 Please see the approval sheet for more information . ★產品規格變更不另行通知 Specifications are subject to change without notice. ■ A50



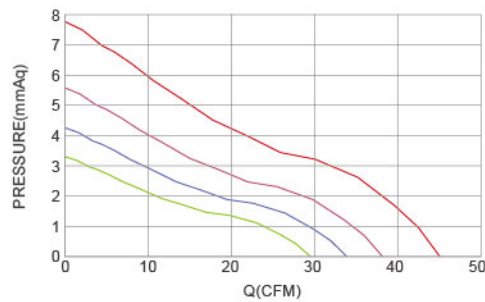
# DC Axial Fan TRF7015 A SERIES 70X70X15mm

DIMENSIONS DRAWING UNIT : mm



- Frame : Thermoplastic PBT UL94-V0  
外框材質：環保防火PBT
- Impeller : Thermoplastic PBT UL94-V0  
扇葉材質：環保防火PBT
- Bearing : ※Sleeve · ★WRB · ◎Two Ball Bearing  
軸承：※含油 · ★WRB · ◎滾珠軸承
- Unit Weight : 55g  
風扇單體重量：55克

P&Q Curve At Rated Voltage



| Model No.    | Bearing Type | Voltage (VDC)  | Current (A) | Power (W) | Speed (RPM) | Air Flow (CFM) | Air Flow (m <sup>3</sup> /min) | Air Pressure (mmH <sub>2</sub> O) | Air Pressure (Inch H <sub>2</sub> O) | Noise (dBA) |
|--------------|--------------|----------------|-------------|-----------|-------------|----------------|--------------------------------|-----------------------------------|--------------------------------------|-------------|
| TRF7015x05D  | ※★◎          | 5 (4.5~5.5)    | 0.31        | 1.55      | 2900        | 24.7           | 0.70                           | 2.29                              | 0.09                                 | 26.5        |
| TRF7015x05L  | ※★◎          | 5 (4.5~5.5)    | 0.50        | 2.50      | 3400        | 29.0           | 0.82                           | 3.30                              | 0.13                                 | 30.5        |
| TRF7015x05M  | ※★◎          | 5 (4.5~5.5)    | 0.62        | 3.10      | 3900        | 33.5           | 0.95                           | 4.32                              | 0.17                                 | 34.5        |
| TRF7015x12D  | ※★◎          | 12 (7.5~13.2)  | 0.13        | 1.56      | 2900        | 24.7           | 0.70                           | 2.29                              | 0.09                                 | 26.5        |
| TRF7015x12L  | ※★◎          | 12 (7.5~13.2)  | 0.21        | 2.50      | 3400        | 29.0           | 0.82                           | 3.30                              | 0.13                                 | 30.5        |
| TRF7015x12M  | ※★◎          | 12 (7.5~13.2)  | 0.26        | 3.12      | 3900        | 33.5           | 0.95                           | 4.32                              | 0.17                                 | 34.5        |
| TRF7015x12H  | ※★◎          | 12 (7.5~13.2)  | 0.30        | 3.60      | 4400        | 38.1           | 1.08                           | 5.59                              | 0.22                                 | 39.0        |
| TRF7015x12VH | ※★◎          | 12 (7.5~13.2)  | 0.36        | 4.32      | 5200        | 45.5           | 1.28                           | 7.79                              | 0.31                                 | 44.0        |
| TRF7015x24D  | ※★◎          | 24 (14.5~27.5) | 0.07        | 1.56      | 2900        | 24.7           | 0.70                           | 2.29                              | 0.09                                 | 26.5        |
| TRF7015x24L  | ※★◎          | 24 (14.5~27.5) | 0.10        | 2.40      | 3400        | 29.0           | 0.82                           | 3.30                              | 0.13                                 | 30.5        |
| TRF7015x24M  | ※★◎          | 24 (14.5~27.5) | 0.13        | 3.12      | 3900        | 33.5           | 0.95                           | 4.32                              | 0.17                                 | 34.5        |
| TRF7015x24H  | ※★◎          | 24 (14.5~27.5) | 0.15        | 3.60      | 4400        | 38.1           | 1.08                           | 5.59                              | 0.22                                 | 39.0        |
| TRF7015x24VH | ※★◎          | 24 (14.5~27.5) | 0.18        | 4.32      | 5200        | 45.5           | 1.28                           | 7.79                              | 0.31                                 | 44.0        |

⊗ Bearing System ※ : Sleeve ★ : WRB ◎ : Ball

★如果您需要的轉速或電壓或功能不在這份清單上，請與我們業務聯繫 Please contact us, if the SPEC you need is not in the list.

■ A51 ★產品詳細數據及功能請參閱承認書 Please see the approval sheet for more information . ★產品規格變更不另行通知 Specifications are subject to change without notice.