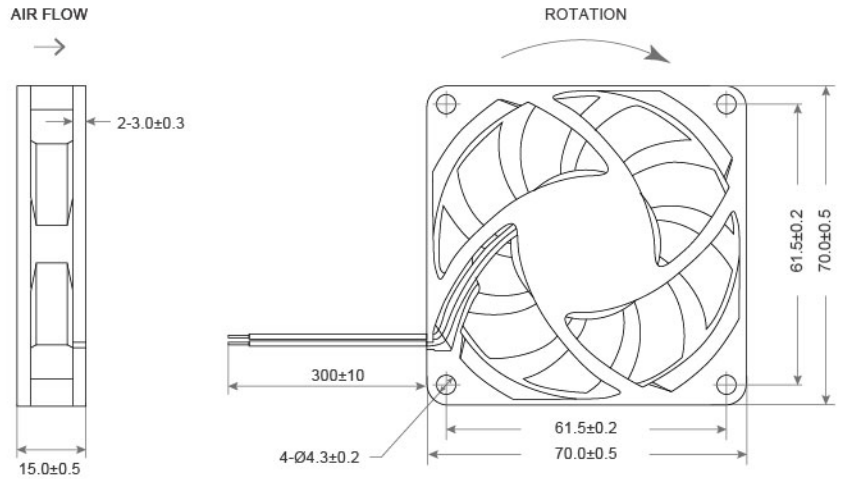


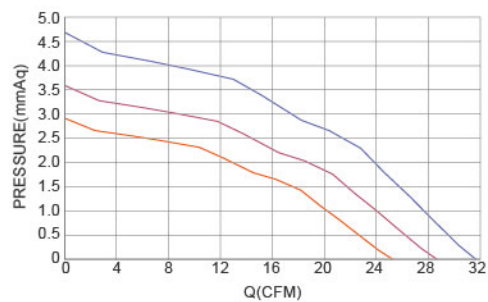
DC Axial Fan TRS7015 SERIES 70X70X15mm

DIMENSIONS DRAWING UNIT : mm



- Frame : Thermoplastic PBT UL94-V0
外框材質：環保防火PBT
- Impeller : Thermoplastic PBT UL94-V0
扇葉材質：環保防火PBT
- Bearing : ※Sleeve · ★WRB · ◎Two Ball Bearing
軸承：※含油 · ★WRB · ◎滾珠軸承
- Unit Weight : 42g
風扇單體重量：42克

P&Q Curve At Rated Voltage

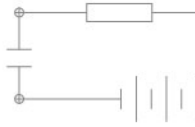


Model No.	Bearing Type	Voltage (VDC)	Current (A)	Power (W)	Speed (RPM)	Air Flow (CFM)	Air Flow (m ³ /min)	Air Pressure (mmH ₂ O)	Air Pressure (Inch H ₂ O)	Noise (dBA)
TRS7015x05D	※★◎	5 (4.0~6.0)	0.19	1.10	2500	17.90	0.58	1.50	0.06	28.6
TRS7015x05L	※★◎	5 (4.0~6.0)	0.28	1.40	3000	21.40	0.68	2.20	0.09	30.4
TRS7015x05M	※★◎	5 (4.0~6.0)	0.46	2.30	3500	24.90	0.78	2.90	0.11	32.0
TRS7015x12D	※★◎	12 (7.0~14.0)	0.09	1.08	2500	17.90	0.58	1.50	0.11	28.6
TRS7015x12L	※★◎	12 (7.0~14.0)	0.12	1.44	3000	21.40	0.61	2.20	0.15	30.4
TRS7015x12M	※★◎	12 (7.0~14.0)	0.20	2.40	3500	24.90	0.70	2.90	0.19	32.0
TRS7015x12H	※★◎	12 (7.0~14.0)	0.24	2.88	4000	28.30	0.80	3.61	0.15	35.6
TRS7015x12VH	※★◎	12 (7.0~14.0)	0.26	3.12	4500	31.80	0.90	4.57	0.18	38.3
TRS7015x24L	※★◎	24 (15.0~27.0)	0.06	1.44	3000	21.40	0.61	2.20	0.09	30.4
TRS7015x24M	※★◎	24 (15.0~27.0)	0.10	2.40	3500	24.90	0.70	2.90	0.11	32.0
TRS7015x24H	※★◎	24 (15.0~27.0)	0.12	2.88	4000	28.30	0.80	3.87	0.15	35.6
TRS7015x24VH	※★◎	24 (15.0~27.0)	0.13	3.12	4500	31.80	0.90	4.80	0.19	38.3

◎ Bearing System ※ : Sleeve ★ : WRB ◎ : Ball

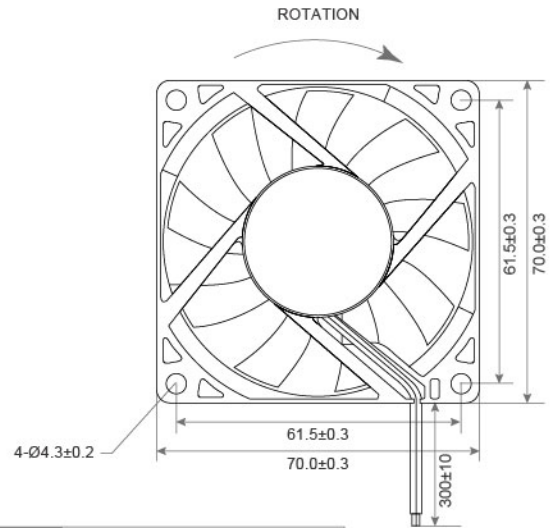
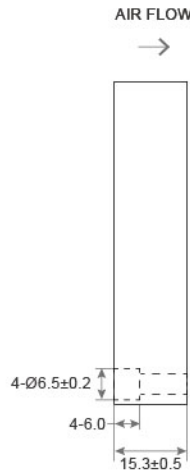
★如果您需要的轉速或電壓或功能不在這份清單上，請與我們業務聯繫 Please contact us, if the SPEC you need is not in the list.

★產品詳細數據及功能請參閱承認書 Please see the approval sheet for more information . ★產品規格變更不另行通知 Specifications are subject to change without notice. ■ A50



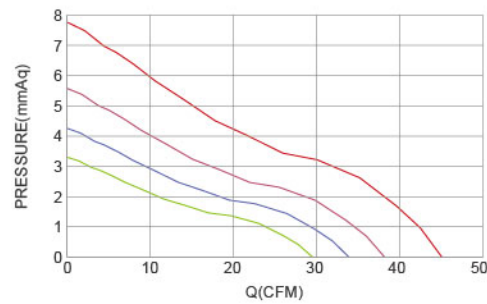
DC Axial Fan TRF7015 A SERIES 70X70X15mm

DIMENSIONS DRAWING UNIT : mm



- Frame : Thermoplastic PBT UL94-V0
外框材質：環保防火PBT
- Impeller : Thermoplastic PBT UL94-V0
扇葉材質：環保防火PBT
- Bearing : ※Sleeve · ★WRB · ◎Two Ball Bearing
軸承：※含油 · ★WRB · ◎滾珠軸承
- Unit Weight : 55g
風扇單體重量：55克

P&Q Curve At Rated Voltage



Model No.	Bearing Type	Voltage (VDC)	Current (A)	Power (W)	Speed (RPM)	Air Flow (CFM)	Air Flow (m ³ /min)	Air Pressure (mmH ₂ O)	Air Pressure (Inch H ₂ O)	Noise (dBA)
TRF7015x05D	※★◎	5 (4.5~5.5)	0.31	1.55	2900	24.7	0.70	2.29	0.09	26.5
TRF7015x05L	※★◎	5 (4.5~5.5)	0.50	2.50	3400	29.0	0.82	3.30	0.13	30.5
TRF7015x05M	※★◎	5 (4.5~5.5)	0.62	3.10	3900	33.5	0.95	4.32	0.17	34.5
TRF7015x12D	※★◎	12 (7.5~13.2)	0.13	1.56	2900	24.7	0.70	2.29	0.09	26.5
TRF7015x12L	※★◎	12 (7.5~13.2)	0.21	2.50	3400	29.0	0.82	3.30	0.13	30.5
TRF7015x12M	※★◎	12 (7.5~13.2)	0.26	3.12	3900	33.5	0.95	4.32	0.17	34.5
TRF7015x12H	※★◎	12 (7.5~13.2)	0.30	3.60	4400	38.1	1.08	5.59	0.22	39.0
TRF7015x12VH	※★◎	12 (7.5~13.2)	0.36	4.32	5200	45.5	1.28	7.79	0.31	44.0
TRF7015x24D	※★◎	24 (14.5~27.5)	0.07	1.56	2900	24.7	0.70	2.29	0.09	26.5
TRF7015x24L	※★◎	24 (14.5~27.5)	0.10	2.40	3400	29.0	0.82	3.30	0.13	30.5
TRF7015x24M	※★◎	24 (14.5~27.5)	0.13	3.12	3900	33.5	0.95	4.32	0.17	34.5
TRF7015x24H	※★◎	24 (14.5~27.5)	0.15	3.60	4400	38.1	1.08	5.59	0.22	39.0
TRF7015x24VH	※★◎	24 (14.5~27.5)	0.18	4.32	5200	45.5	1.28	7.79	0.31	44.0

◎ Bearing System ※ : Sleeve ★ : WRB ◎ : Ball

★如果您需要的轉速或電壓或功能不在這份清單上，請與我們業務聯繫 Please contact us, if the SPEC you need is not in the list.

■ A51 ★產品詳細數據及功能請參閱承認書 Please see the approval sheet for more information . ★產品規格變更不另行通知 Specifications are subject to change without notice.