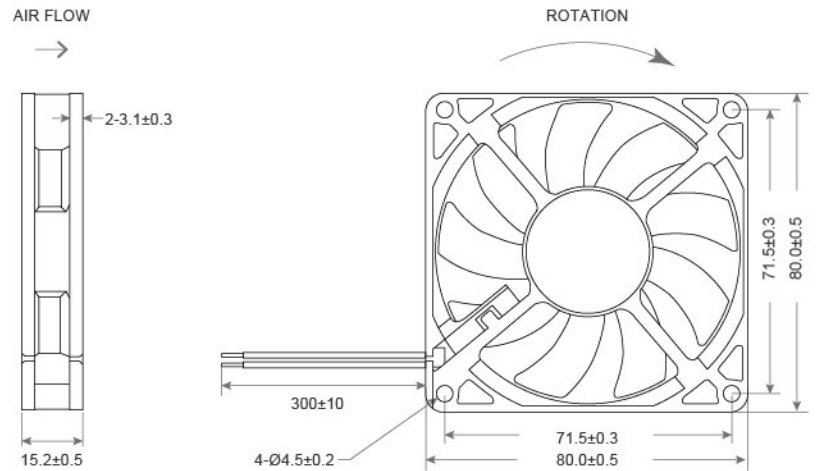


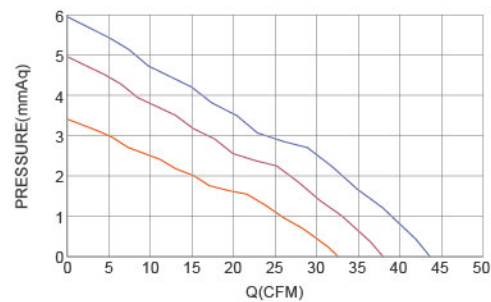


DIMENSIONS DRAWING UNIT : mm



- Frame : Thermoplastic PBT UL94-V0
外框材質：環保防火PBT
- Impeller : Thermoplastic PBT UL94-V0
扇葉材質：環保防火PBT
- Bearing : ※Sleeve · ★WRB · ◎Two Ball Bearing
軸承：※含油 · ★WRB · ◎滾珠軸承
- Unit Weight : 48g
風扇單體重量：48克

P&Q Curve At Rated Voltage



Model No.	Bearing Type	Voltage (VDC)	Current (A)	Power (W)	Speed (RPM)	Air Flow (CFM)	Air Flow (m ³ /min)	Air Pressure (mmH ₂ O)	Air Pressure (Inch H ₂ O)	Noise (dBA)
TRS8015x05L	※★◎	5 (4.0~6.0)	0.11	0.55	2000	21.47	0.61	1.50	0.06	26.1
TRS8015x05M	※★◎	5 (4.0~6.0)	0.18	0.85	2500	26.84	0.76	2.34	0.09	28.9
TRS8015x12L	※★◎	12 (7.0~14.0)	0.06	0.72	2000	21.47	0.61	1.50	0.06	26.1
TRS8015x12M	※★◎	12 (7.0~14.0)	0.10	1.20	2500	26.84	0.76	2.34	0.09	28.9
TRS8015x12H	※★◎	12 (7.0~14.0)	0.12	1.44	3000	32.21	0.91	3.37	0.13	33.6
TRS8015x12VH	※★◎	12 (7.0~14.0)	0.18	2.16	3500	37.58	1.06	4.58	0.18	38.3
TRS8015x12SH	※★◎	12 (7.0~14.0)	0.22	2.64	4000	42.95	1.21	5.98	0.24	42.6
TRS8015x24L	※★◎	24 (15.0~27.0)	0.03	0.72	2000	21.47	0.61	1.50	0.06	26.1
TRS8015x24M	※★◎	24 (15.0~27.0)	0.05	1.20	2500	26.84	0.76	2.34	0.09	28.9
TRS8015x24H	※★◎	24 (15.0~27.0)	0.06	1.44	3000	32.21	0.91	3.37	0.13	33.6
TRS8015x24VH	※★◎	24 (15.0~27.0)	0.09	2.16	3500	37.58	1.06	4.58	0.18	38.3
TRS8015x24SH	※★◎	24 (15.0~27.0)	0.11	2.64	4000	42.95	1.21	5.98	0.24	42.6

⊗ Bearing System ※ : Sleeve ★ : WRB ◎ : Ball

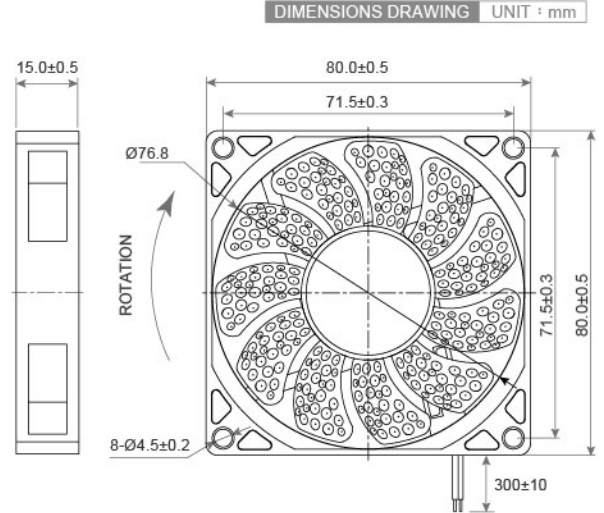
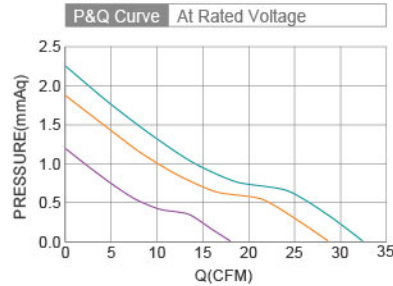
★如果您需要的轉速或電壓或功能不在這份清單上，請與我們業務聯繫 Please contact us, if the SPEC you need is not in the list.

★產品詳細數據及功能請參閱承認書 Please see the approval sheet for more information . ★產品規格變更不另行通知 Specifications are subject to change without notice. ■ A56

DC Axial Fan TRS8015 G SERIES 80X80X15mm



- Frame : Thermoplastic PBT UL94-V0
外框材質：環保防火PBT
- Impeller : Thermoplastic PBT UL94-V0
扇葉材質：環保防火PBT
- Bearing : ※Sleeve · ◎Two Ball bearing
軸承：※含油 · ◎滾珠軸承
- Unit Weight : 56.2g
風扇單體重量：56.2克

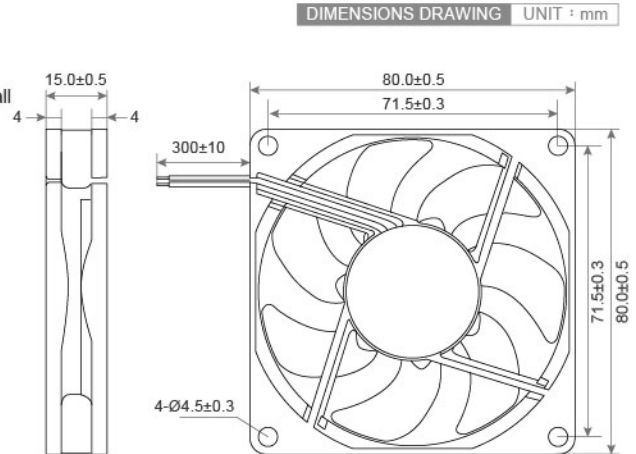
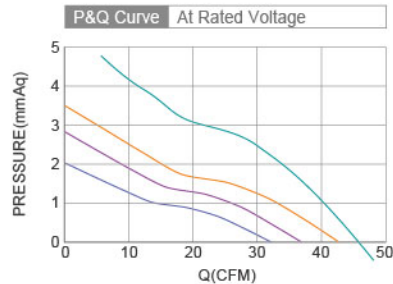


Model No.	Bearing Type	Voltage (VDC)	Current (A)	Power (W)	Speed (RPM)	Air Flow (CFM)	Air Flow (m ³ /min)	Air Pressure (mmH ₂ O)	Air Pressure (Inch H ₂ O)	Noise (dBA)
TRS8015B12L	※◎	12 (6.0~13.8)	0.11	1.32	2000	17.56	0.50	1.21	0.05	21.8
TRS8015B12M	※◎	12 (6.0~13.8)	0.13	1.56	2500	27.00	0.76	1.83	0.07	27.2
TRS8015B12H	※◎	12 (6.0~13.8)	0.19	2.28	3000	32.43	0.92	2.26	0.09	31.7

DC Axial Fan TRF8015 A SERIES 80X80X15mm



- Frame : Thermoplastic PBT UL94-V0
外框材質：環保防火PBT
- Impeller : Thermoplastic PBT UL94-V0
扇葉材質：環保防火PBT
- Bearing : ※Sleeve · ★WRB · ◎TwoBall
軸承：※含油 · ★WRB · ◎滾珠軸承
- Unit Weight : 52g
風扇單體重量：52克



Model No.	Bearing Type	Voltage (VDC)	Current (A)	Power (W)	Speed (RPM)	Air Flow (CFM)	Air Flow (m ³ /min)	Air Pressure (mmH ₂ O)	Air Pressure (Inch H ₂ O)	Noise (dBA)
TRF8015x12M	※★◎	12 (7.5~13.2)	0.09	1.08	3800	31.4	0.89	3.32	0.13	29.2
TRF8015x12H	※★◎	12 (7.5~13.2)	0.17	2.04	5000	41.7	1.18	5.75	0.23	37.1
TRF8015x12VH	※★◎	12 (7.5~13.2)	0.29	3.48	6100	50.9	1.44	8.57	0.34	41.0
TRF8015x24M	※★◎	24 (14.0~26.2)	0.45	1.08	3800	31.4	0.89	3.32	0.13	29.2
TRF8015x24H	※★◎	24 (14.0~26.2)	0.09	2.16	5000	41.7	1.18	5.75	0.23	37.1
TRF8015x24VH	※★◎	24 (14.0~26.2)	0.15	3.60	6100	50.9	1.44	8.57	0.34	41.0

⊗ Bearing System ※ : Sleeve ★ : WRB ◎ : Ball

★如果您需要的轉速或電壓或功能不在這份清單上，請與我們業務聯繫 Please contact us, if the SPEC you need is not in the list.

■ A57 ★產品詳細數據及功能請參閱承認書 Please see the approval sheet for more information . ★產品規格變更不另行通知 Specifications are subject to change without notice.