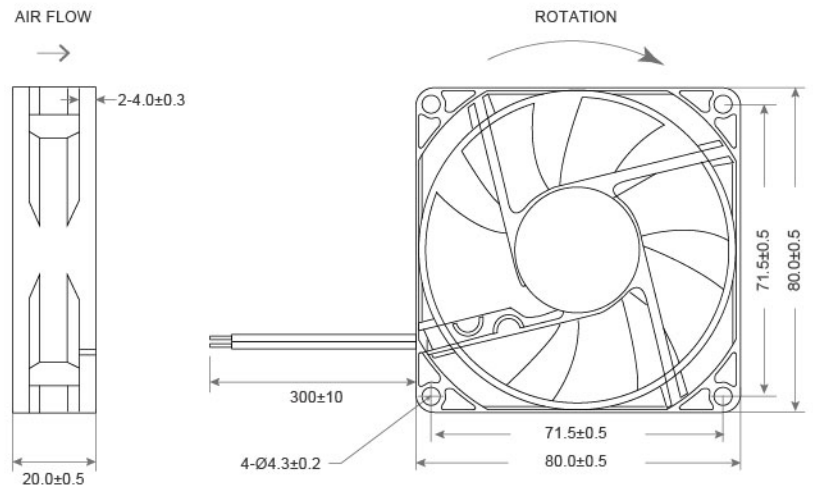


# DC Axial Fan TRS8020 SERIES 80X80X20mm

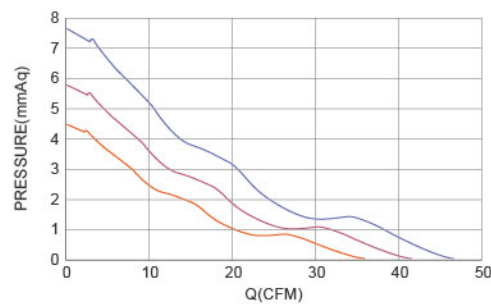


DIMENSIONS DRAWING UNIT : mm



- Frame : Thermoplastic PBT UL94-V0  
外框材質：環保防火PBT
- Impeller : Thermoplastic PBT UL94-V0  
扇葉材質：環保防火PBT
- Bearing : ※Sleeve · ★WRB · ◎Two Ball Bearing  
軸承：※含油 · ◎滾珠軸承
- Unit Weight : 52g  
風扇單體重量：52克

P&Q Curve At Rated Voltage

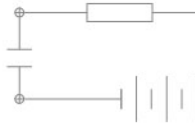


Model No.	Bearing Type	Voltage (VDC)	Current (A)	Power (W)	Speed (RPM)	Air Flow (CFM)	Air Flow (m <sup>3</sup> /min)	Air Pressure (mmH <sub>2</sub> O)	Air Pressure (Inch H <sub>2</sub> O)	Noise (dBA)
TRS8020x12D	※◎	12 (7.0~14.0)	0.06	0.72	2500	26.08	0.74	2.34	0.09	24.5
TRS8020x12L	※◎	12 (7.0~14.0)	0.10	1.20	3000	31.10	0.88	3.33	0.13	29.5
TRS8020x12M	※◎	12 (7.0~14.0)	0.14	1.68	3500	36.12	1.02	4.49	0.18	32.4
TRS8020x12H	※◎	12 (7.0~14.0)	0.18	2.16	4000	41.13	1.16	5.83	0.23	36.4
TRS8020x12VH	※◎	12 (7.0~14.0)	0.22	2.64	4500	46.15	1.31	7.52	0.30	39.0
TRS8020x24D	※◎	24 (15.0~27.0)	0.03	0.72	2500	26.08	0.74	2.34	0.09	24.5
TRS8020x24L	※◎	24 (15.0~27.0)	0.05	1.20	3000	31.10	0.88	3.33	0.13	29.5
TRS8020x24M	※◎	24 (15.0~27.0)	0.07	1.68	3500	36.12	1.02	4.49	0.18	32.4
TRS8020x24H	※◎	24 (15.0~27.0)	0.09	2.16	4000	41.13	1.16	5.83	0.23	36.4
TRS8020x24VH	※◎	24 (15.0~27.0)	0.11	2.64	4500	46.15	1.31	7.52	0.30	39.4

⊗ Bearing System ※ : Sleeve ★ : WRB ◎ : Ball

★如果您需要的轉速或電壓或功能不在這份清單上，請與我們業務聯繫 Please contact us, if the SPEC you need is not in the list.

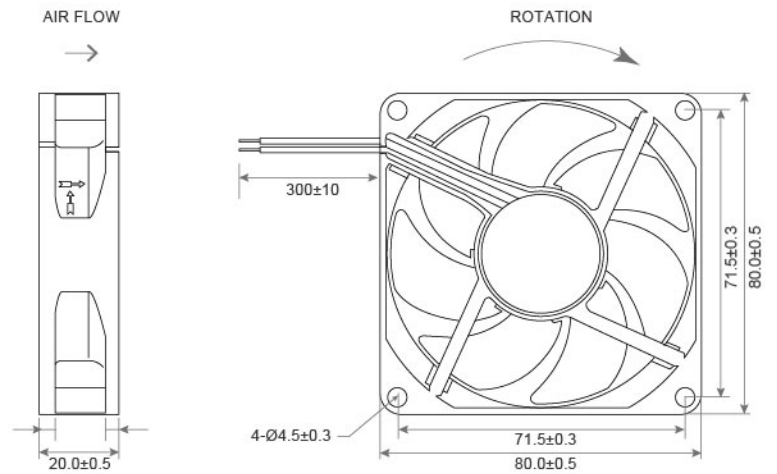
★產品詳細數據及功能請參閱承認書 Please see the approval sheet for more information . ★產品規格變更不另行通知 Specifications are subject to change without notice. ■ A58



# DC Axial Fan TRF8020 A SERIES 80X80X20mm

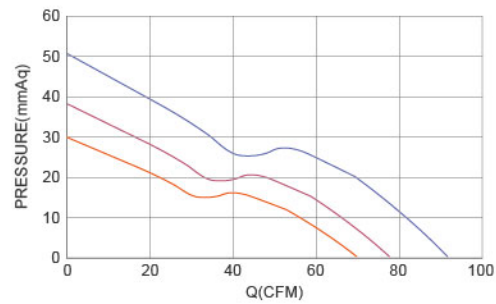


DIMENSIONS DRAWING UNIT : mm



- Frame : Thermoplastic PBT UL94-V0  
外框材質：環保防火PBT
- Impeller : Thermoplastic PBT UL94-V0  
扇葉材質：環保防火PBT
- Bearing : ※Sleeve · ★WRB · ◎Two Ball Bearing  
軸承：※含油 · ★WRB · ◎滾珠軸承
- Unit Weight : 78g  
風扇單體重量：78克

P&Q Curve At Rated Voltage



Model No.	Bearing Type	Voltage (VDC)	Current (A)	Power (W)	Speed (RPM)	Air Flow (CFM)	Air Flow (m <sup>3</sup> /min)	Air Pressure (mmH <sub>2</sub> O)	Air Pressure (Inch H <sub>2</sub> O)	Noise (dBA)
TRF8020x12D	※★◎	12 (7.5~13.2)	0.06	0.72	2900	29.68	0.84	2.75	0.11	26.5
TRF8020x12H	※★◎	12 (7.5~13.2)	0.3	3.60	5850	60.78	1.72	11.22	0.44	45.0
TRF8020x12VH	※★◎	12 (7.5~13.2)	0.5	6.01	7000	71.51	2.03	16.52	0.65	48.0
TRF8020x24D	※★◎	24 (14.0~26.2)	0.03	0.72	2900	29.68	0.84	2.75	0.11	26.5
TRF8020x24H	※★◎	24 (14.0~26.2)	0.15	3.60	5850	60.78	1.72	11.22	0.44	45.0
TRF8020x24VH	※★◎	24 (14.0~26.2)	0.25	6.01	7000	71.51	2.03	16.52	0.65	48.0

◎ Bearing System ※ : Sleeve ★ : WRB ◎ : Ball

★如果您需要的轉速或電壓或功能不在這份清單上，請與我們業務聯繫 Please contact us, if the SPEC you need is not in the list.

■ A59 ★產品詳細數據及功能請參閱承認書 Please see the approval sheet for more information . ★產品規格變更不另行通知 Specifications are subject to change without notice.