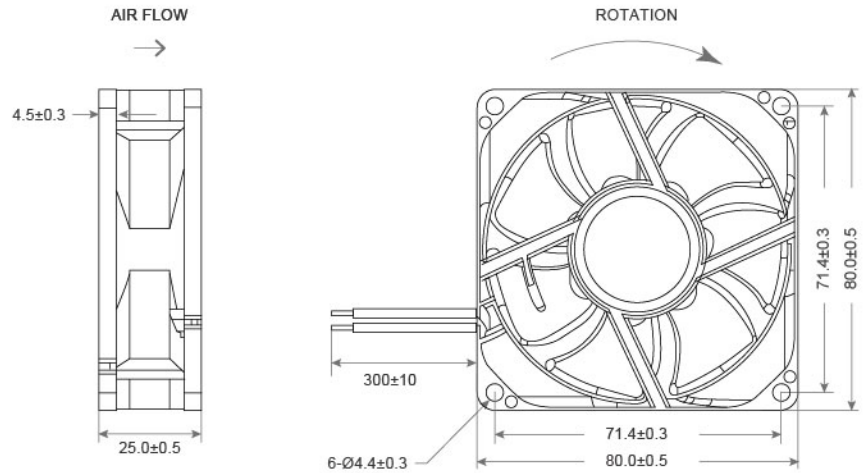


DC Axial Fan TRS8025 SERIES 80X80X25mm

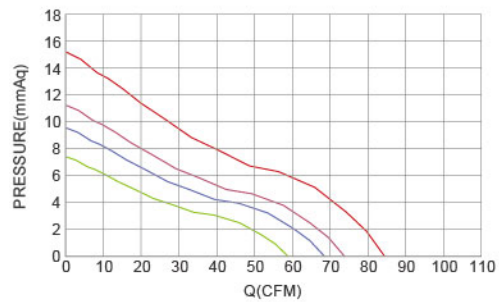


DIMENSIONS DRAWING UNIT : mm



- Frame : Thermoplastic PBT UL94-V0
外框材質：環保防火PBT
- Impeller : Thermoplastic PBT UL94-V0
扇葉材質：環保防火PBT
- Bearing : ※Sleeve · ★WRB · ◎Two Ball Bearing
軸承：※含油 · ★WRB · ◎滾珠軸承
- Unit Weight : 54g
風扇單體重量：54克

P&Q Curve At Rated Voltage



Model No.	Bearing Type	Voltage (VDC)	Current (A)	Power (W)	Speed (RPM)	Air Flow (CFM)	Air Flow (m ³ /min)	Air Pressure (mmH ₂ O)	Air Pressure (Inch H ₂ O)	Noise (dBA)
TRS8025x12L	※★◎	12 (7.0~14.0)	0.12	1.44	3000	43.23	1.22	3.77	0.15	29.9
TRS8025x12M	※★◎	12 (7.0~14.0)	0.18	2.16	3600	51.59	1.46	5.37	0.21	36.2
TRS8025x12H	※★◎	12 (7.0~14.0)	0.28	3.36	4200	59.96	1.70	7.25	0.29	39.4
TRS8025x12VH	※◎	12 (7.0~14.0)	0.35	4.20	4800	68.33	1.93	9.42	0.37	42.0
TRS8025x12SH	※◎	12 (7.0~14.0)	0.44	5.28	5200	73.91	2.09	11.02	0.43	44.5
TRS8025x12UH	※◎	12 (7.0~14.0)	0.64	7.68	6200	83.52	2.36	15.09	0.59	49.4
TRS8025x24L	※★◎	24 (15.0~27.0)	0.06	1.44	3000	43.23	1.22	3.77	0.15	29.9
TRS8025x24M	※★◎	24 (15.0~27.0)	0.09	2.16	3600	51.59	1.46	5.37	0.21	36.2
TRS8025x24H	※★◎	24 (15.0~27.0)	0.14	3.36	4200	59.96	1.70	7.25	0.29	39.4
TRS8025x24VH	※◎	24 (15.0~27.0)	0.18	4.20	4800	68.33	1.93	9.42	0.37	42.0
TRS8025x24SH	※◎	24 (15.0~27.0)	0.22	5.28	5200	73.91	2.09	11.02	0.43	44.5
TRS8025x24UH	※◎	24 (15.0~27.0)	0.32	7.68	6200	83.52	2.36	15.09	0.59	49.4
TRS8025x48L	※★◎	48 (35.0~57.0)	0.03	1.44	3000	43.23	1.22	3.77	0.15	29.9
TRS8025x48M	※★◎	48 (35.0~57.0)	0.05	2.16	3600	51.59	1.46	5.37	0.21	36.2
TRS8025x48H	※★◎	48 (35.0~57.0)	0.07	3.36	4200	59.96	1.70	7.25	0.29	39.4
TRS8025x48VH	※◎	48 (35.0~57.0)	0.09	4.20	4800	68.33	1.93	9.42	0.37	42.0
TRS8025x48SH	※◎	48 (35.0~57.0)	0.11	5.28	5200	73.91	2.09	11.02	0.43	44.5
TRS8025x48UH	※◎	48 (35.0~57.0)	0.16	7.68	6200	83.52	2.36	15.09	0.59	49.4



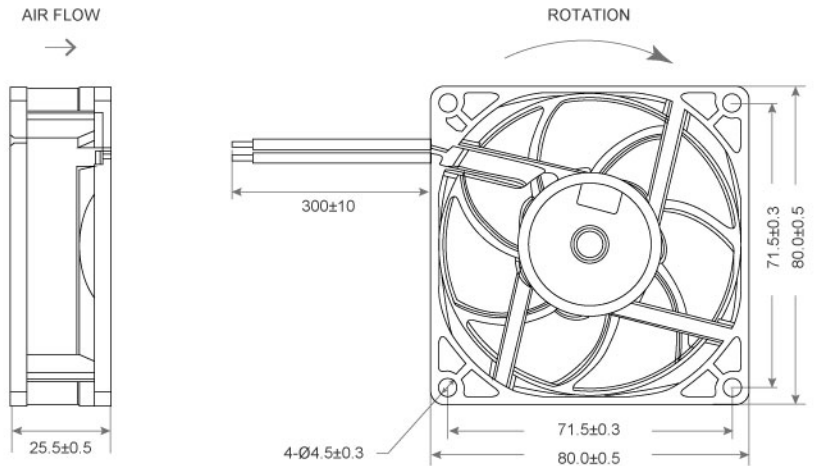
⊗ Bearing System ※ : Sleeve ★ : WRB ◎ : Ball

★如果您需要的轉速或電壓或功能不在這份清單上，請與我們業務聯繫 Please contact us, if the SPEC you need is not in the list.

★產品詳細數據及功能請參閱承認書 Please see the approval sheet for more information . ★產品規格變更不另行通知 Specifications are subject to change without notice. ■ A60

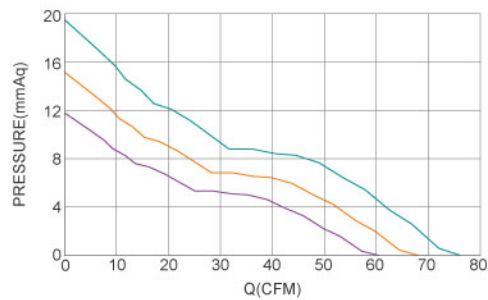


DIMENSIONS DRAWING UNIT : mm



- Frame : Thermoplastic PBT UL94-V0
外框材質：環保防火PBT
- Impeller : Thermoplastic PBT UL94-V0
扇葉材質：環保防火PBT
- Bearing : ※Sleeve · ★WRB · ◎Two Ball Bearing
軸承：※含油 · ★WRB · ◎滾珠軸承
- Unit Weight : 75g
風扇單體重量：75克

P&Q Curve At Rated Voltage



Model No.	Bearing Type	Voltage (VDC)	Current (A)	Power (W)	Speed (RPM)	Air Flow (CFM)	Air Flow (m ³ /min)	Air Pressure (mmH ₂ O)	Air Pressure (Inch H ₂ O)	Noise (dBA)
TRD8025x12L	※★◎	12 (7.0~14.0)	0.06	0.72	3700	35.72	1.01	7.95	0.31	29.9
TRD8025x12M	※★◎	12 (7.0~14.0)	0.18	2.16	4500	43.44	1.23	11.76	0.46	33.0
TRD8025x12H	※★◎	12 (7.0~14.0)	0.25	3.00	5200	50.20	1.42	15.70	0.62	38.0
TRD8025x12VH	※★◎	12 (7.0~14.0)	0.28	3.36	5900	56.96	1.61	20.21	0.80	42.8
TRD8025x12SH	※★◎	12 (7.0~14.0)	0.36	4.32	6600	63.72	1.80	25.29	1.00	47.8
TRD8025x24L	※★◎	24 (15.0~27.0)	0.03	0.72	3700	35.72	1.01	7.95	0.31	29.9
TRD8025x24M	※★◎	24 (15.0~27.0)	0.05	1.20	4500	43.44	1.23	11.76	0.46	33.0
TRD8025x24H	※★◎	24 (15.0~27.0)	0.10	2.40	5200	50.20	1.42	15.70	0.62	38.0
TRD8025x24VH	※★◎	24 (15.0~27.0)	0.14	3.36	5900	56.96	1.61	20.21	0.80	42.8
TRD8025x24SH	※★◎	24 (15.0~27.0)	0.18	4.32	6600	63.72	1.80	25.29	1.00	47.8
TRD8025x48M	※★◎	48 (35.0~57.0)	0.03	1.20	4500	43.44	1.23	11.76	0.46	33.0
TRD8025x48H	※★◎	48 (35.0~57.0)	0.05	2.40	5200	50.20	1.42	15.70	0.62	38.0
TRD8025x24VH	※★◎	48 (35.0~57.0)	0.07	3.36	5900	56.96	1.61	20.21	0.80	42.8
TRD8025x48SH	※★◎	48 (35.0~57.0)	0.09	4.32	6600	63.72	1.80	25.29	1.00	47.8

Optional Frames :



⊗ Bearing System ※ : Sleeve ★ : WRB ◎ : Ball

★如果您需要的轉速或電壓或功能不在這份清單上，請與我們業務聯繫 Please contact us, if the SPEC you need is not in the list.

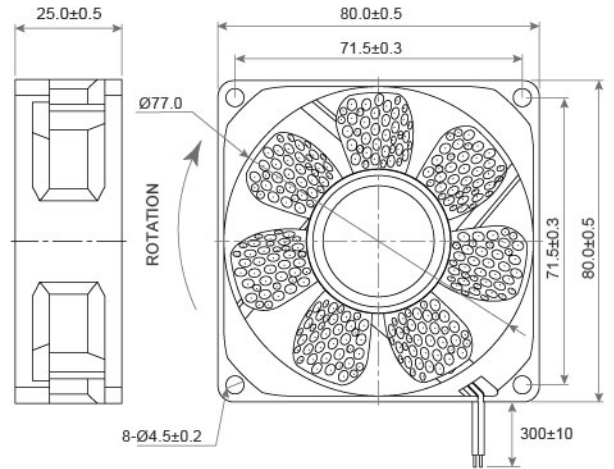
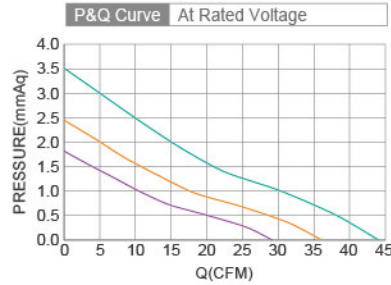
★產品詳細數據及功能請參閱承認書 Please see the approval sheet for more information . ★產品規格變更不另行通知 Specifications are subject to change without notice.

DC Axial Fan TRS8025 G SERIES 80X80X25mm



- Frame : Thermoplastic PBT UL94-V0
外框材質：環保防火PBT
- Impeller : Thermoplastic PBT UL94-V0
扇葉材質：環保防火PBT
- Bearing : ※Sleeve · ◎Two Ball bearing
軸承：※含油 · ◎滾珠軸承
- Unit Weight : 74.0g
風扇單體重量：74.0克

DIMENSIONS DRAWING UNIT : mm



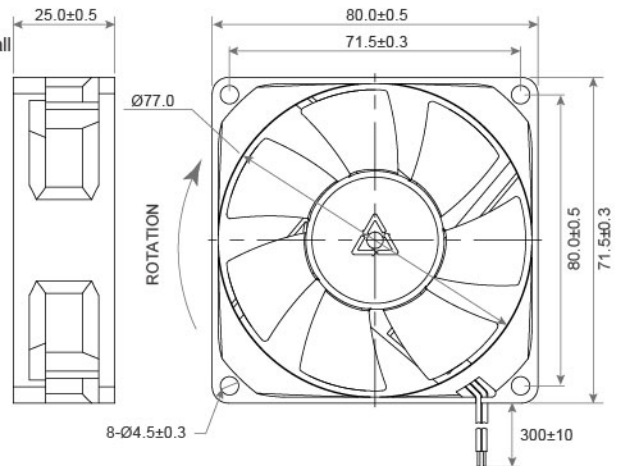
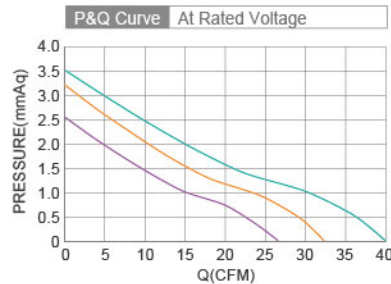
Model No.	Bearing Type	Voltage (VDC)	Current (A)	Power (W)	Speed (RPM)	Air Flow (CFM)	Air Flow (m ³ /min)	Air Pressure (mmH ₂ O)	Air Pressure (Inch H ₂ O)	Noise (dBA)
TRS8025B12L	※◎	12 (6.0~13.8)	0.12	1.44	2000	29.11	0.82	1.86	0.07	19.5
TRS8025B12M	※◎	12 (6.0~13.8)	0.17	2.04	2500	36.04	1.02	2.46	0.10	22.6
TRS8025B12H	※◎	12 (6.0~13.8)	0.23	2.76	3000	44.09	1.25	3.54	0.14	30.3

DC Axial Fan SRL8025 SERIES 80X80X25mm



- Frame : Thermoplastic PBT UL94-V0
外框材質：環保防火PBT
- Impeller : Thermoplastic PBT UL94-V0
扇葉材質：環保防火PBT
- Bearing : ※Sleeve · ★WRB · ◎Two Ball bearing
軸承：※含油 · ★WRB · ◎滾珠軸承
- Unit Weight : 67.4g
風扇單體重量：67.4克

DIMENSIONS DRAWING UNIT : mm



Model No.	Bearing Type	Voltage (VDC)	Current (A)	Power (W)	Speed (RPM)	Air Flow (CFM)	Air Flow (m ³ /min)	Air Pressure (mmH ₂ O)	Air Pressure (Inch H ₂ O)	Noise (dBA)
SRLx01138812L	※★◎	12 (6.0~13.8)	0.12	1.44	2000	26.54	0.75	2.61	0.10	21.0
SRLx01138812M	※★◎	12 (6.0~13.8)	0.17	2.04	2500	32.37	0.92	3.26	0.13	27.4
SRLx01138812H	※★◎	12 (6.0~13.8)	0.23	2.76	3000	39.80	1.13	3.58	0.14	32.6
SRLx01138824L	※★◎	24 (12.0~26.0)	0.08	1.92	2000	26.54	0.75	2.61	0.10	21.0
SRLx01138824M	※★◎	24 (12.0~26.0)	0.12	2.88	2500	32.37	0.92	3.26	0.13	27.4
SRLx01138824H	※★◎	24 (12.0~26.0)	0.17	4.08	3000	39.80	1.13	3.58	0.14	32.6

⊗ Bearing System ※ : Sleeve ★ : WRB ◎ : Ball

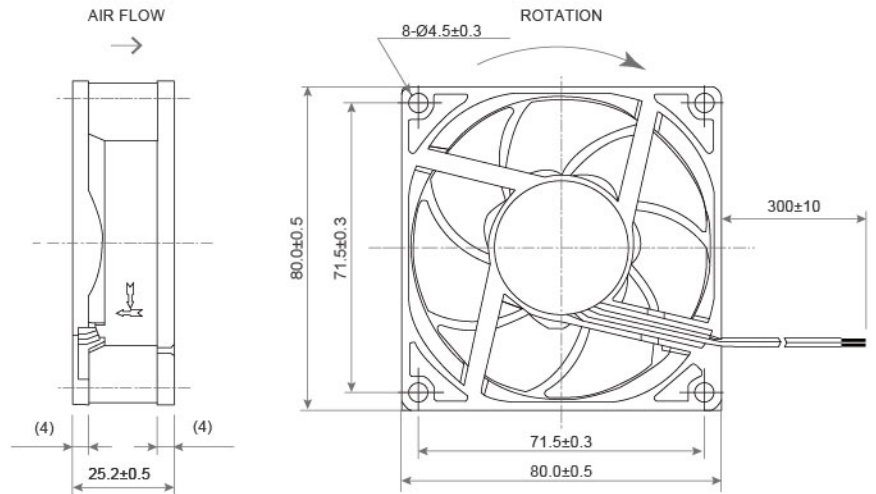
★如果您需要的轉速或電壓或功能不在這份清單上，請與我們業務聯繫 Please contact us, if the SPEC you need is not in the list.

★產品詳細數據及功能請參閱承認書 Please see the approval sheet for more information . ★產品規格變更不另行通知 Specifications are subject to change without notice. ■ A62



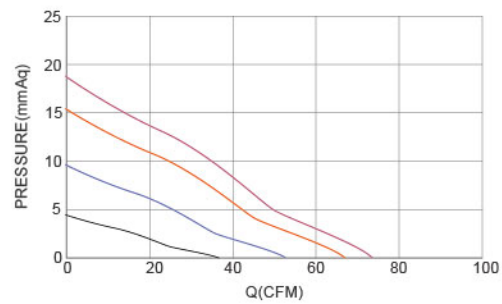
DC Axial Fan TRF8025 C SERIES 80X80X25mm

DIMENSIONS DRAWING UNIT : mm



- Frame : Aluminum
外框材質：鋁框
- Impeller : Thermoplastic PBT UL94-V0
扇葉材質：環保防火PBT
- Bearing : ※ Sleeve · ★ WRB · ◎ Two Ball Bearing
軸承：※含油 · ★ WRB · ◎滾珠軸承
- Unit Weight : 140g
風扇單體重量：140克

P&Q Curve At Rated Voltage



Model No.	Bearing Type	Voltage (VDC)	Current (A)	Power (W)	Speed (RPM)	Air Flow (CFM)	Air Flow (m ³ /min)	Air Pressure (mmH ₂ O)	Air Pressure (Inch H ₂ O)	Noise (dBA)
TRF8025x12D	※◎★	12 (7.0~13.5)	0.06	0.72	1500	14.8	0.42	0.74	0.02	17.0
TRF8025x12L	※◎★	12 (7.0~13.5)	0.08	0.96	2100	20.4	0.58	1.46	0.05	19.0
TRF8025x12M	※◎★	12 (7.0~13.5)	0.12	1.44	2800	27.5	0.78	2.59	0.10	23.0
TRF8025x12H	※◎★	12 (7.0~13.5)	0.18	2.16	3500	35.5	1.01	4.13	0.16	28.0
TRF8025x12HH	※◎★	12 (7.0~13.5)	0.22	2.64	5200	51.5	1.46	8.94	0.35	38.0
TRF8025x12VH	※◎★	12 (7.0~13.5)	0.48	5.76	6800	67.4	1.91	15.29	0.60	45.0
TRF8025x12SH	※◎★	12 (7.0~13.5)	0.60	7.20	7400	73.0	2.07	18.10	0.70	48.0
TRF8025x12UH	※◎★	12 (7.0~13.5)	1.00	12.00	10000	93.5	2.65	28.44	1.12	54.0
TRF8025x24D	※◎★	24 (14.5~27.5)	0.02	0.48	1500	14.8	0.42	0.74	0.02	17.0
TRF8025x24L	※◎★	24 (14.5~27.5)	0.04	0.96	2100	20.4	0.58	1.46	0.05	19.0
TRF8025x24M	※◎★	24 (14.5~27.5)	0.6	1.44	2800	27.5	0.78	2.59	0.10	23.0
TRF8025x24H	※◎★	24 (14.5~27.5)	0.09	2.16	3500	35.5	1.01	4.13	0.16	28.0
TRF8025x24HH	※◎★	24 (14.5~27.5)	0.1	2.40	5200	51.5	1.46	8.94	0.35	38.0
TRF8025x24VH	※◎★	24 (14.5~27.5)	0.21	5.05	6800	67.4	1.91	15.29	0.60	45.0
TRF8025x24SH	※◎★	24 (14.5~27.5)	0.28	6.72	7400	73.0	2.07	18.10	0.70	48.0
TRF8025x24UH	※◎★	24 (13.0~27.2)	0.5	12.00	10000	93.5	2.65	28.44	1.12	54.0
TRF8025x48HH	※◎★	48 (29.0~55.0)	0.01	2.40	5200	51.5	1.46	8.94	0.35	38.0
TRF8025x48VH	※◎★	48 (29.0~55.0)	0.11	5.28	6800	67.4	1.91	15.29	0.60	45.0
TRF8025x48SH	※◎★	48 (29.0~55.0)	0.14	6.72	7400	73.0	2.07	18.10	0.70	48.0
TRF8025x48UH	※◎★	48 (29.0~55.0)	0.25	12.00	10000	93.5	2.65	28.44	1.12	54.0

◎ Bearing System ※ : Sleeve ★ : WRB ◎ : Ball

★如果您需要的轉速或電壓或功能不在這份清單上，請與我們業務聯繫 Please contact us, if the SPEC you need is not in the list.