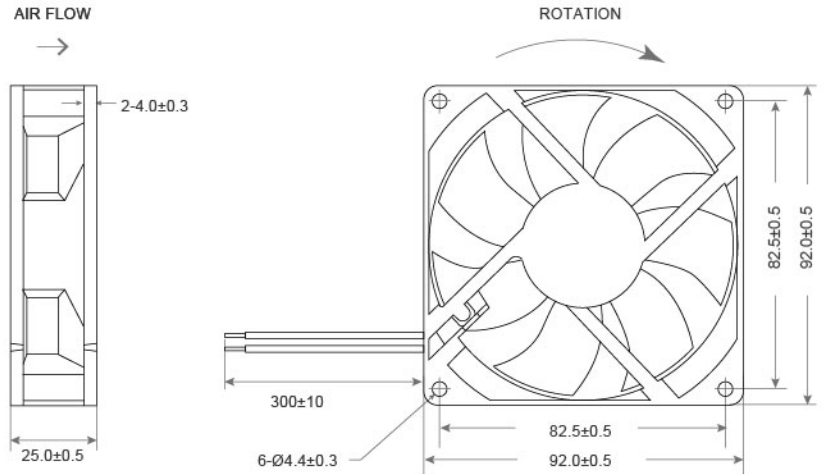


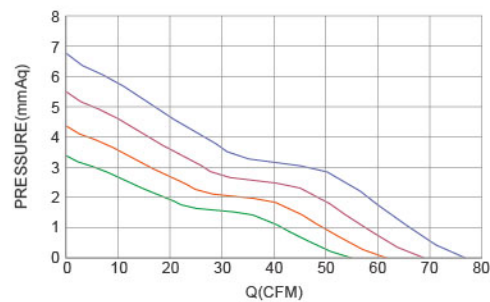
# DC Axial Fan TRS9225 SERIES 92X92X25mm

DIMENSIONS DRAWING UNIT : mm



- Frame : Thermoplastic PBT UL94-V0  
外框材質：環保防火PBT
- Impeller : Thermoplastic PBT UL94-V0  
扇葉材質：環保防火PBT
- Bearing : ※ Sleeve · ★WRB · ◎Two Ball Bearing  
軸承：※含油 · ★WRB · ◎滾珠軸承
- Unit Weight : 78g  
風扇單體重量：78克

P&Q Curve At Rated Voltage



Model No.	Bearing Type	Voltage (VDC)	Current (A)	Power (W)	Speed (RPM)	Air Flow (CFM)	Air Flow (m <sup>3</sup> /min)	Air Pressure (mmH <sub>2</sub> O)	Air Pressure (Inch H <sub>2</sub> O)	Noise (dBA)
TRS9225x12D	※★◎	12 (7.0~14.0)	0.12	1.44	2000	39.14	1.10	1.76	0.07	30.3
TRS9225x12L	※★◎	12 (7.0~14.0)	0.20	2.40	2800	54.05	1.52	3.35	0.13	36.7
TRS9225x12M	※★◎	12 (7.0~14.0)	0.26	3.12	3200	61.51	1.74	4.34	0.17	39.1
TRS9225x12H	※★◎	12 (7.0~14.0)	0.30	3.60	3600	68.97	1.95	5.46	0.21	42.8
TRS9225x12VH	※★◎	24 (15.0~27.0)	0.44	5.28	4000	76.42	2.16	6.71	0.26	46.7
TRS9225x24D	※★◎	24 (15.0~27.0)	0.06	1.44	2000	39.14	1.10	1.76	0.07	30.3
TRS9225x24L	※★◎	24 (15.0~27.0)	0.10	2.40	2800	54.05	1.52	3.35	0.13	36.7
TRS9225x24M	※★◎	24 (15.0~27.0)	0.13	3.12	3200	61.51	1.74	4.34	0.17	39.1
TRS9225x24H	※★◎	24 (15.0~27.0)	0.15	3.60	3600	68.97	1.95	5.46	0.21	42.8
TRS9225x24VH	※★◎	24 (15.0~27.0)	0.20	4.80	4000	76.42	2.16	6.71	0.26	46.7
TRS9225x48M	※★◎	48 (35.0~57.0)	0.07	3.36	3200	61.51	1.74	4.34	0.17	39.1
TRS9225x48H	※★◎	48 (35.0~57.0)	0.08	3.84	3600	68.97	1.95	5.46	0.21	42.8
TRS9225x48VH	※★◎	48 (35.0~57.0)	0.10	4.80	4000	76.42	2.16	6.71	0.26	46.7

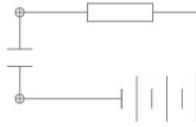
Optional Frames :



⊗ Bearing System ※ : Sleeve ★ : WRB ◎ : Ball

★如果您需要的轉速或電壓或功能不在這份清單上，請與我們業務聯繫 Please contact us, if the SPEC you need is not in the list.

★產品詳細數據及功能請參閱承認書 Please see the approval sheet for more information . ★產品規格變更不另行通知 Specifications are subject to change without notice. ■ A74

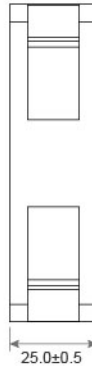


# DC Axial Fan TRS9225 B SERIES 92X92X25mm

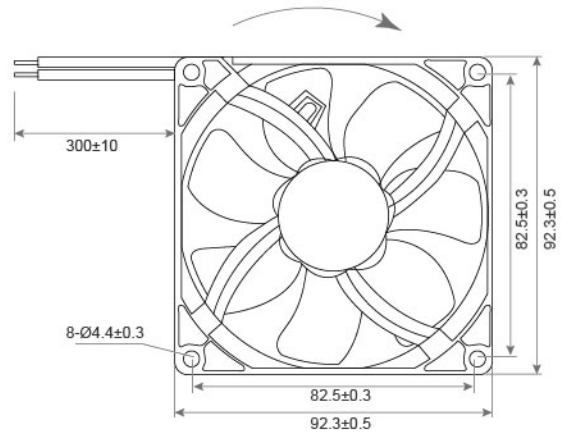
DIMENSIONS DRAWING UNIT : mm



AIR FLOW  
→

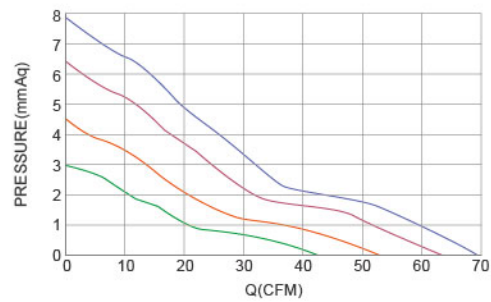


ROTATION



- Frame : Thermoplastic PBT UL94-V0  
外框材質：環保防火PBT
- Impeller : Thermoplastic PBT UL94-V0  
扇葉材質：環保防火PBT
- Bearing : ※ Sleeve · ★ WRB · ◎ Two Ball Bearing  
軸承：◎滾珠軸承
- Unit Weight : 76g  
風扇單體重量：76克

P&Q Curve At Rated Voltage

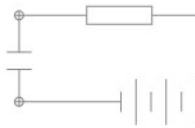


Model No.	Bearing Type	Voltage (VDC)	Current (A)	Power (W)	Speed (RPM)	Air Flow (CFM)	Air Flow (m <sup>3</sup> /min)	Air Pressure (mmH <sub>2</sub> O)	Air Pressure (Inch H <sub>2</sub> O)	Noise (dBA)
TRS9225B12L	◎	12 (7.0~14.0)	0.10	1.30	2600	43.03	1.22	2.96	0.12	34.2
TRS9225B12M	◎	12 (7.0~14.0)	0.20	2.40	3200	52.96	1.50	4.49	0.18	39.9
TRS9225B12H	◎	12 (7.0~14.0)	0.30	3.70	3800	62.89	1.78	6.33	0.25	44.3
TRS9225B12VH	◎	12 (7.0~14.0)	0.45	5.40	4200	69.51	1.97	7.73	0.30	46.9
TRS9225B24L	◎	24 (15.0~27.0)	0.05	1.30	2600	43.03	1.22	2.96	0.12	34.2
TRS9225B24M	◎	24 (15.0~27.0)	0.10	2.40	3200	52.96	1.50	4.49	0.18	39.9
TRS9225B24H	◎	24 (15.0~27.0)	0.15	3.70	3800	62.89	1.78	6.33	0.25	44.3
TRS9225B24VH	◎	24 (15.0~27.0)	0.23	5.40	4200	69.51	1.97	7.73	0.30	46.9

⊗ Bearing System ※ : Sleeve ★ : WRB ◎ : Ball

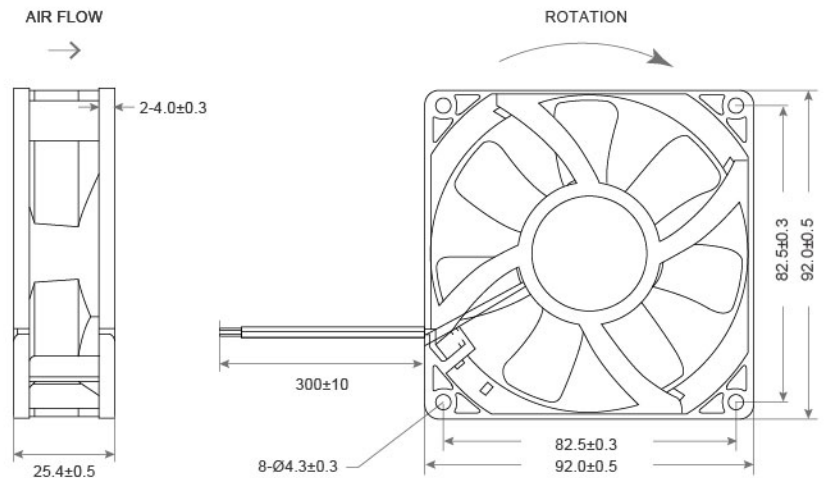
★如果您需要的轉速或電壓或功能不在這份清單上，請與我們業務聯繫 Please contact us, if the SPEC you need is not in the list.

■ A75 ★產品詳細數據及功能請參閱承認書 Please see the approval sheet for more information . ★產品規格變更不另行通知 Specifications are subject to change without notice.



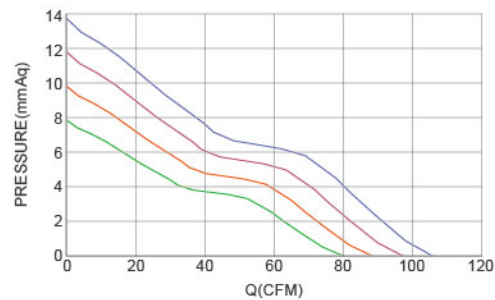
# DC Axial Fan TRD9225 SERIES 92X92X25mm

DIMENSIONS DRAWING UNIT : mm



- Frame : Thermoplastic PBT UL94-V0  
外框材質：環保防火PBT
- Impeller : Thermoplastic PBT UL94-V0  
扇葉材質：環保防火PBT
- Bearing : ※ Sleeve · ★ WRB · ◎ Two Ball Bearing  
軸承：※含油 · ◎滾珠軸承
- Unit Weight : 120g  
風扇單體重量：120克

P&Q Curve At Rated Voltage



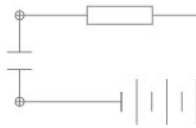
Model No.	Bearing Type	Voltage (VDC)	Current (A)	Power (W)	Speed (RPM)	Air Flow (CFM)	Air Flow (m <sup>3</sup> /min)	Air Pressure (mmH <sub>2</sub> O)	Air Pressure (Inch H <sub>2</sub> O)	Noise (dBA)
TRD9225x12D	※◎	12 (7.0~14.0)	0.12	1.44	2400	52.76	1.49	3.48	0.14	35.0
TRD9225x12L	※◎	12 (7.0~14.0)	0.21	2.52	3000	65.95	1.87	5.44	0.21	40.9
TRD9225x12M	※◎	12 (7.0~14.0)	0.38	4.56	3600	79.14	2.24	7.83	0.31	45.1
TRD9225x12H	※◎	12 (7.0~14.0)	0.50	6.00	4000	87.94	2.49	9.67	0.38	48.0
TRD9225x12VH	※◎	12 (7.0~14.0)	0.62	7.44	4400	96.73	2.74	11.70	0.46	50.8
TRD9225x12SH	※◎	12 (7.0~14.0)	0.84	10.08	4800	105.52	2.99	13.92	0.55	53.0
TRD9225x24D	※◎	24 (15.0~27.0)	0.06	1.44	2400	52.76	1.49	3.48	0.14	35.0
TRD9225x24L	※◎	24 (15.0~27.0)	0.11	2.64	3000	65.95	1.87	5.44	0.21	40.9
TRD9225x24M	※◎	24 (15.0~27.0)	0.19	4.56	3600	79.14	2.24	7.83	0.31	45.1
TRD9225x24H	※◎	24 (15.0~27.0)	0.25	6.00	4000	87.94	2.49	9.67	0.38	48.0
TRD9225x24VH	※◎	24 (15.0~27.0)	0.31	7.44	4400	96.73	2.74	11.70	0.46	50.8
TRD9225x24SH	※◎	24 (15.0~27.0)	0.42	10.08	4800	105.52	2.99	13.92	0.55	53.0
TRD9225x48L	※◎	48 (35.0~57.0)	0.05	2.40	3000	65.95	1.87	5.44	0.21	40.9
TRD9225x48M	※◎	48 (35.0~57.0)	0.10	4.80	3600	79.14	2.24	7.83	0.31	45.1
TRD9225x48H	※◎	48 (35.0~57.0)	0.13	6.24	4000	87.94	2.49	9.67	0.38	48.0
TRD9225x48VH	※◎	48 (35.0~57.0)	0.16	7.68	4400	96.73	2.74	11.70	0.46	50.8
TRD9225x48SH	※◎	48 (35.0~57.0)	0.21	10.08	4800	105.52	2.99	13.92	0.55	53.0

⊗ Bearing System ※ : Sleeve ★ : WRB ◎ : Ball

★如果您需要的轉速或電壓或功能不在這份清單上，請與我們業務聯繫 Please contact us, if the SPEC you need is not in the list.

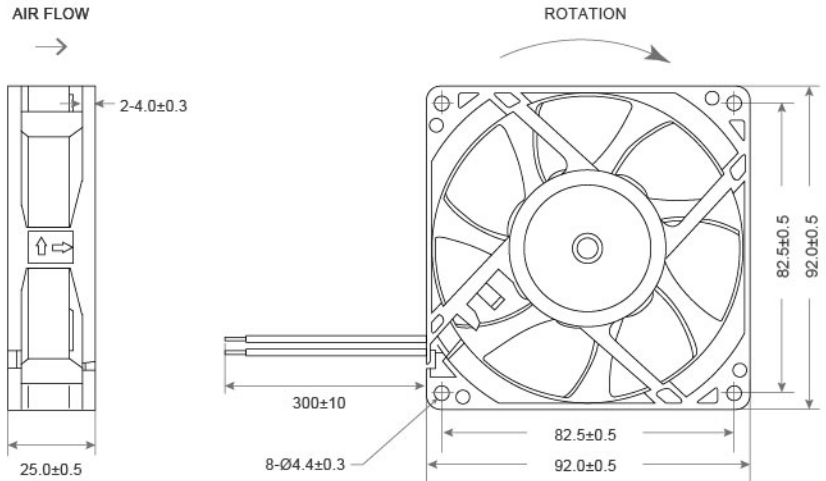
■ A77 ★產品詳細數據及功能請參閱承認書 Please see the approval sheet for more information . ★產品規格變更不另行通知 Specifications are subject to change without notice.





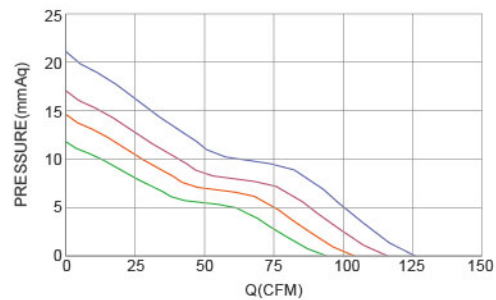
# DC Axial Fan TRD9225 B SERIES 92X92X25mm

DIMENSIONS DRAWING UNIT : mm



- Frame : Thermoplastic PBT UL94-V0  
外框材質：環保防火PBT
- Impeller : Thermoplastic PBT UL94-V0  
扇葉材質：環保防火PBT
- Bearing : ※Sleeve · ★WRB · ◎Two Ball Bearing  
軸承：※含油 · ★WRB · ◎滾珠軸承
- Unit Weight : 120g  
風扇單體重量：120克

P&Q Curve At Rated Voltage



Model No.	Bearing Type	Voltage (VDC)	Current (A)	Power (W)	Speed (RPM)	Air Flow (CFM)	Air Flow (m <sup>3</sup> /min)	Air Pressure (mmH <sub>2</sub> O)	Air Pressure (Inch H <sub>2</sub> O)	Noise (dBA)
TRD9225x12L	※★◎	12 (7.0~14.0)	0.25	3.00	4000	83.69	2.37	9.39	0.37	39.2
TRD9225x12M	※★◎	12 (7.0~14.0)	0.34	4.08	4500	94.15	2.66	11.89	0.47	42.4
TRD9225x12H	※★◎	12 (7.0~14.0)	0.46	5.52	5000	104.62	2.96	14.67	0.58	45.8
TRD9225x12VH	※★◎	12 (7.0~14.0)	0.63	7.56	5500	115.08	3.26	17.76	0.70	49.4
TRD9225x12SH	※★◎	12 (7.0~14.0)	0.80	9.60	6000	125.54	3.55	21.13	0.83	53.4
TRD9225x24L	※★◎	24 (15.0~27.0)	0.13	3.00	4000	83.69	2.37	9.39	0.37	39.2
TRD9225x24M	※★◎	24 (15.0~27.0)	0.17	4.08	4500	94.15	2.66	11.89	0.47	42.4
TRD9225x24H	※★◎	24 (15.0~27.0)	0.23	5.52	5000	104.62	2.96	14.67	0.58	45.8
TRD9225x24VH	※★◎	24 (15.0~27.0)	0.32	7.56	5500	115.08	3.26	17.76	0.70	49.4
TRD9225x24SH	※★◎	24 (15.0~27.0)	0.40	9.60	6000	125.54	3.55	21.13	0.83	53.4
TRD9225x48L	※★◎	48 (35.0~57.0)	0.06	3.00	4000	83.69	2.37	9.39	0.37	39.2
TRD9225x48M	※★◎	48 (35.0~57.0)	0.09	4.08	4500	94.15	2.66	11.89	0.47	42.4
TRD9225x48H	※★◎	48 (35.0~57.0)	0.12	5.52	5000	104.62	2.96	14.67	0.58	45.8
TRD9225x48VH	※★◎	48 (35.0~57.0)	0.16	7.56	5500	115.08	3.26	17.76	0.70	49.4
TRD9225x48SH	※★◎	48 (35.0~57.0)	0.20	9.60	6000	125.54	3.55	21.13	0.83	53.4

Optional Frames :



⊗ Bearing System ※ : Sleeve ★ : WRB ◎ : Ball

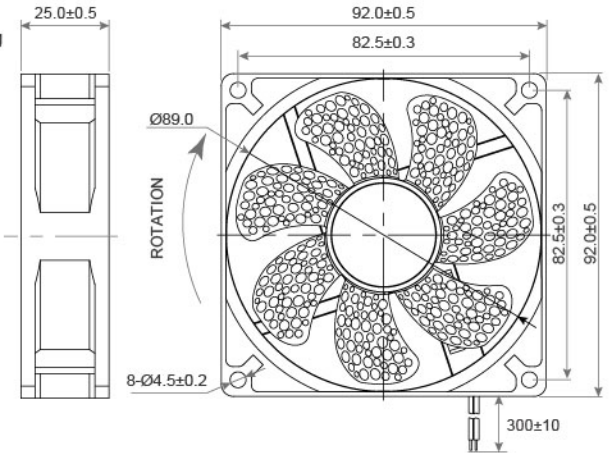
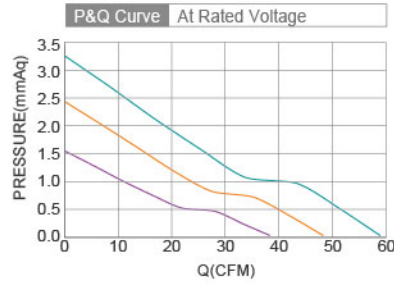
★如果您需要的轉速或電壓或功能不在這份清單上，請與我們業務聯繫 Please contact us, if the SPEC you need is not in the list.

★產品詳細數據及功能請參閱承認書 Please see the approval sheet for more information . ★產品規格變更不另行通知 Specifications are subject to change without notice. ■ A78

## DC Axial Fan TRS9225 G SERIES 92X92X25mm



- Frame : Thermoplastic PBT UL94-V0  
外框材質：環保防火PBT
- Impeller : Thermoplastic PBT UL94-V0  
扇葉材質：環保防火PBT
- Bearing : ※Sleeve · ◎Two Ball bearing  
軸承：※含油 · ◎滾珠軸承
- Unit Weight : 66.0g  
風扇單體重量：66.0克

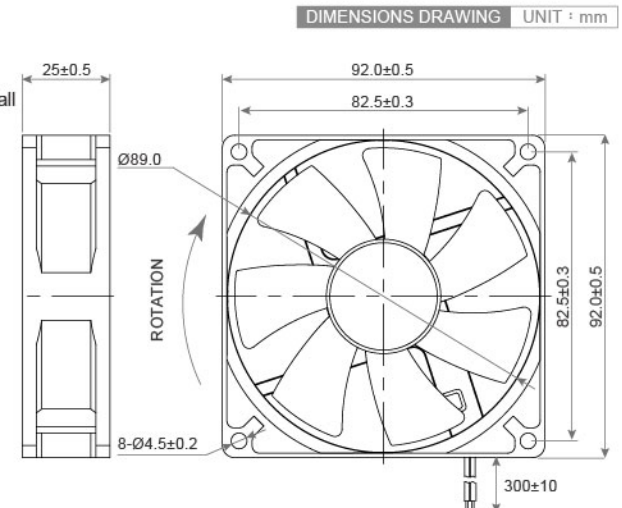
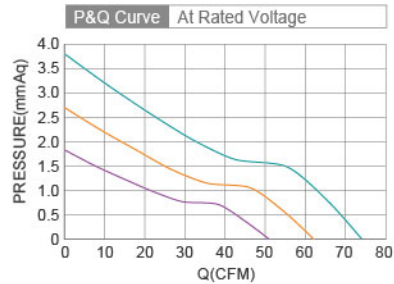


Model No.	Bearing Type	Voltage (VDC)	Current (A)	Power (W)	Speed (RPM)	Air Flow (CFM)	Air Flow (m <sup>3</sup> /min)	Air Pressure (mmH <sub>2</sub> O)	Air Pressure (Inch H <sub>2</sub> O)	Noise (dBA)
TRS9225x12L	※◎	12 (7.0~13.8)	0.18	2.16	2000	38.13	1.08	1.57	0.06	22.4
TRS9225x12M	※◎	12 (7.0~13.8)	0.26	3.12	2500	47.94	1.36	2.47	0.10	29.3
TRS9225x12H	※◎	12 (7.0~13.8)	0.35	4.20	3000	58.78	1.66	3.31	0.13	33.6

## DC Axial Fan TRS9225 GB SERIES 92X92X25mm



- Frame : Thermoplastic PBT UL94-V0  
外框材質：環保防火PBT
- Impeller : Thermoplastic PBT UL94-V0  
扇葉材質：環保防火PBT
- Bearing : ※Sleeve · ★WRB · ◎Two Ball  
軸承：※含油 · ★WRB · ◎滾珠軸承
- Unit Weight : 63.4g  
風扇單體重量：63.4克



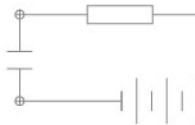
Model No.	Bearing Type	Voltage (VDC)	Current (A)	Power (W)	Speed (RPM)	Air Flow (CFM)	Air Flow (m <sup>3</sup> /min)	Air Pressure (mmH <sub>2</sub> O)	Air Pressure (Inch H <sub>2</sub> O)	Noise (dBA)
TRS9225x12L	※★◎	12 (10.8~13.8)	0.18	2.20	2000	50.85	1.44	1.84	0.07	27.3
TRS9225x12M	※★◎	12 ( 6.0~13.8)	0.27	3.20	2500	62.29	1.76	2.70	0.11	34.5
TRS9225x12H	※★◎	12 ( 6.0~13.8)	0.45	5.40	3000	73.93	2.09	3.82	0.15	39.8

⊗ Bearing System ※ : Sleeve ★ : WRB ◎ : Ball

★如果您需要的轉速或電壓或功能不在這份清單上，請與我們業務聯繫 Please contact us, if the SPEC you need is not in the list.

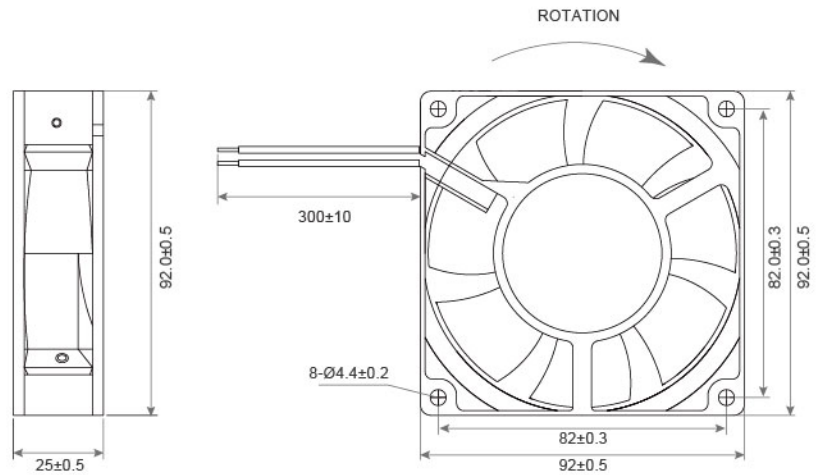
★產品詳細數據及功能請參閱承認書 Please see the approval sheet for more information . ★產品規格變更不另行通知 Specifications are subject to change without notice. A76





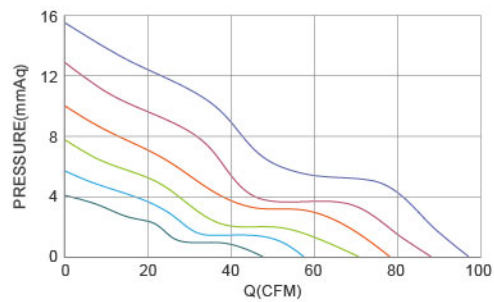
# DC Axial Fan TRD9225 U SERIES 92X92X25mm

DIMENSIONS DRAWING UNIT : mm



- Frame : Aluminum  
外框材質：鋁框
- Impeller : Thermoplastic PBT UL94-V0  
扇葉材質：環保防火PBT
- Bearing : ※Sleeve · ★WRB · ◎Two Ball Bearing  
軸承：※含油 · ★WRB · ◎滾珠軸承
- Unit Weight : 158g  
風扇單體重量：158克

P&Q Curve At Rated Voltage

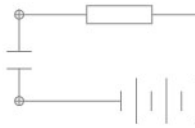


Model No.	Bearing Type	Voltage (VDC)	Current (A)	Power (W)	Speed (RPM)	Air Flow (CFM)	Air Flow (m <sup>3</sup> /min)	Air Pressure (mmH <sub>2</sub> O)	Air Pressure (Inch H <sub>2</sub> O)	Noise (dBA)
TRD9225x12D	※◎★	12 (7.0~13.5)	0.30	3.6	2500	46.8	1.326	3.98	0.157	35.5
TRD9225x12L	※◎★	12 (7.0~13.5)	0.45	5.4	3000	56.6	1.605	5.71	0.225	41.1
TRD9225x12M	※◎★	12 (7.0~13.5)	0.51	6.1	3500	69.1	1.959	7.81	0.307	45.5
TRD9225x12H	※◎★	12 (7.0~13.5)	0.64	7.7	4000	77.3	2.189	10.08	0.397	48.3
TRD9225x12VH	※◎★	12 (7.0~13.5)	0.81	9.7	4500	87.6	2.482	12.87	0.507	53.7
TRD9225x12SH	※◎★	12 (7.0~13.5)	1.10	13.2	5000	96.9	2.745	15.57	0.613	55.0
TRD9225x24D	※◎★	24 (18.0~26.5)	0.15	3.6	2500	46.8	1.326	3.98	0.157	35.5
TRD9225x24L	※◎★	24 (18.0~26.5)	0.23	5.4	3000	56.6	1.605	5.71	0.225	41.1
TRD9225x24M	※◎★	24 (18.0~26.5)	0.26	6.1	3500	69.1	1.959	7.81	0.307	45.5
TRD9225x24H	※◎★	24 (18.0~26.5)	0.32	7.7	4000	77.3	2.189	10.08	0.397	48.3
TRD9225x24VH	※◎★	24 (18.0~26.5)	0.40	9.7	4500	87.6	2.482	12.87	0.507	53.7
TRD9225x24SH	※◎★	24 (18.0~26.5)	0.55	13.2	5000	96.9	2.745	15.57	0.613	55.0
TRD9225x48D	※◎★	48 (36.0~54.0)	0.08	3.6	2500	46.8	1.326	3.98	0.157	35.5
TRD9225x48L	※◎★	48 (36.0~54.0)	0.11	5.4	3000	56.6	1.605	5.71	0.225	41.1
TRD9225x48M	※◎★	48 (36.0~54.0)	0.13	6.1	3500	69.1	1.959	7.81	0.307	45.5
TRD9225x48H	※◎★	48 (36.0~54.0)	0.16	7.7	4000	77.3	2.189	10.08	0.397	48.3
TRD9225x48VH	※◎★	48 (36.0~54.0)	0.20	9.7	4500	87.6	2.482	12.87	0.507	53.7
TRD9225x48SH	※◎★	48 (36.0~54.0)	0.28	13.2	5000	96.9	2.745	15.57	0.613	55.0

◎ Bearing System ※ : Sleeve ★ : WRB ◎ : Ball

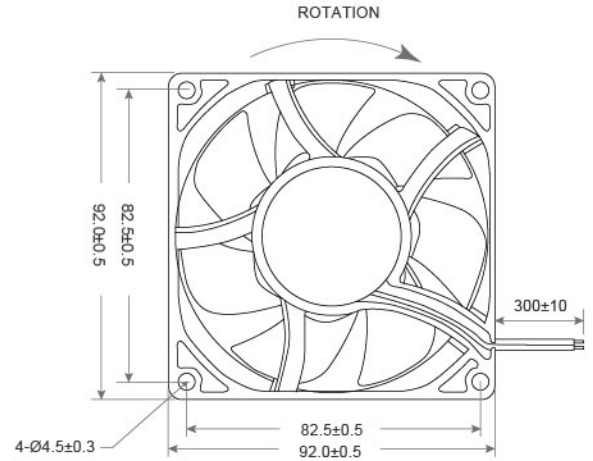
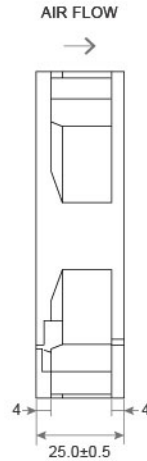
★如果您需要的轉速或電壓或功能不在這份清單上，請與我們業務聯繫 Please contact us, if the SPEC you need is not in the list.

★產品詳細數據及功能請參閱承認書 Please see the approval sheet for more information . ★產品規格變更不另行通知 Specifications are subject to change without notice. A80



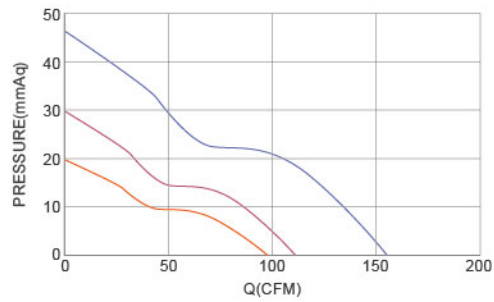
# DC Axial Fan TRF9225 B SERIES 92X92X25mm

DIMENSIONS DRAWING UNIT : mm



- Frame : Thermoplastic PBT UL94-V0  
外框材質：環保防火PBT
- Impeller : Thermoplastic PBT UL94-V0  
扇葉材質：環保防火PBT
- Bearing : ※Sleeve · ★WRB · ◎Two Ball Bearing  
軸承：※含油 · ★WRB · ◎滾珠軸承
- Unit Weight : 140g  
風扇單體重量：140克

P&Q Curve At Rated Voltage



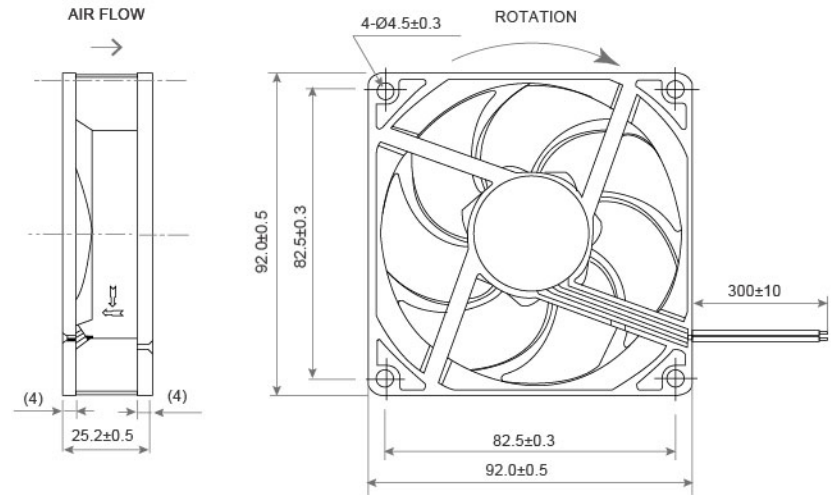
Model No.	Bearing Type	Voltage (VDC)	Current (A)	Power (W)	Speed (RPM)	Air Flow (CFM)	Air Flow (m <sup>3</sup> /min)	Air Pressure (mmH <sub>2</sub> O)	Air Pressure (Inch H <sub>2</sub> O)	Noise (dBA)
TRF9225x12M	※◎★	12 ( 7.2~13.8)	0.75	9.0	6050	97.1	2.76	19.37	0.76	52.0
TRF9225x12H	※◎★	12 ( 7.2~13.8)	1.40	16.8	7350	118.0	3.35	28.55	1.12	56.0
TRF9225x12VH	※◎★	12 ( 7.2~13.8)	2.40	28.8	10000	158.0	4.49	46.96	1.85	65.0
TRF9225x24M	※◎★	24 (14.5~27.5)	0.38	9.1	6050	97.1	2.76	19.37	0.76	52.0
TRF9225x24H	※◎★	24 (14.5~27.5)	0.70	16.8	7350	118.0	3.35	28.55	1.12	56.0
TRF9225x24VH	※◎★	24 (14.5~27.5)	1.20	28.8	10000	158.0	4.49	46.96	1.85	65.0
TRF9225x48M	※◎★	48 (29.0~55.0)	0.19	9.1	6050	97.1	2.76	19.37	0.76	52.0
TRF9225x48H	※◎★	48 (29.0~55.0)	0.35	16.8	7350	118.0	3.35	28.55	1.12	56.0
TRF9225x48VH	※◎★	48 (29.0~55.0)	0.60	28.8	10000	158.0	4.49	46.96	1.85	65.0

◎ Bearing System ※ : Sleeve ★ : WRB ◎ : Ball

★如果您需要的轉速或電壓或功能不在這份清單上，請與我們業務聯繫 Please contact us, if the SPEC you need is not in the list.

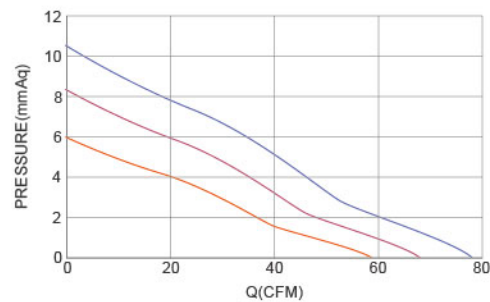
■ A81 ★產品詳細數據及功能請參閱承認書 Please see the approval sheet for more information . ★產品規格變更不另行通知 Specifications are subject to change without notice.

**DIMENSIONS DRAWING** UNIT : mm



- Frame : Aluminum  
外框材質：鋁框
- Impeller : Thermoplastic PBT UL94-V0  
扇葉材質：環保防火PBT
- Bearing : ※ Sleeve · ★ WRB · ◎ Two Ball Bearing  
軸承：※含油 · ★WRB · ◎滾珠軸承
- Unit Weight : 150g  
風扇單體重量：150克

**P&Q Curve** At Rated Voltage



Model No.	Bearing Type	Voltage (VDC)	Current (A)	Power (W)	Speed (RPM)	Air Flow (CFM)	Air Flow (m <sup>3</sup> /min)	Air Pressure (mmH <sub>2</sub> O)	Air Pressure (Inch H <sub>2</sub> O)	Noise (dBA)
TRD9225x12D	※◎★	12 ( 7.2~13.8)	0.06	0.72	1500	23.3	0.66	1.01	0.04	15.0
TRD9225x12L	※◎★	12 ( 7.2~13.8)	0.20	2.40	3800	59.0	1.67	6.09	0.24	35.0
TRD9225x12M	※◎★	12 ( 7.2~13.8)	0.28	3.36	4400	68.2	1.93	8.38	0.33	39.0
TRD9225x12H	※◎★	12 ( 7.2~13.8)	0.39	4.68	5000	77.7	2.20	10.66	0.42	43.0
TRD9225x12VH	※◎★	12 ( 8.0~13.2)	0.77	9.24	6500	89.2	2.53	13.97	0.55	47.5
TRD9225x24D	※◎★	24 (14.5~27.5)	0.04	0.96	1500	23.3	0.66	1.01	0.04	15.0
TRD9225x24L	※◎★	24 (14.5~27.5)	0.12	2.88	3800	59.0	1.67	6.09	0.24	35.0
TRD9225x24M	※◎★	24 (14.5~27.5)	0.15	3.60	4400	68.2	1.93	8.38	0.33	39.0
TRD9225x24H	※◎★	24 (14.5~27.5)	0.20	4.80	5000	77.7	2.20	10.66	0.42	43.0
TRD9225x24VH	※◎★	24 (14.5~27.5)	0.39	9.24	6500	89.2	2.53	13.97	0.55	47.5
TRD9225x48L	※◎★	48 (29.0~55.0)	0.06	0.96	3800	59.0	1.67	6.09	0.24	35.0
TRD9225x48M	※◎★	48 (29.0~55.0)	0.08	3.84	4400	68.2	1.93	8.38	0.33	39.0
TRD9225x48H	※◎★	48 (29.0~55.0)	0.10	4.80	5000	77.7	2.20	10.66	0.42	43.0
TRD9225x48VH	※◎★	48 (29.0~55.0)	0.19	9.24	6500	89.2	2.53	13.97	0.55	47.5

◎ Bearing System ※ : Sleeve ★ : WRB ◎ : Ball

★如果您需要的轉速或電壓或功能不在這份清單上，請與我們業務聯繫 Please contact us, if the SPEC you need is not in the list.

■ A79 ★產品詳細數據及功能請參閱承認書 Please see the approval sheet for more information . ★產品規格變更不另行通知 Specifications are subject to change without notice.