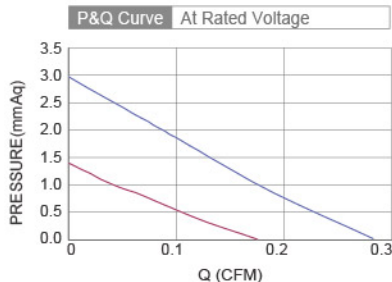




# DC Axial Fan SFA1504 15X15X4mm

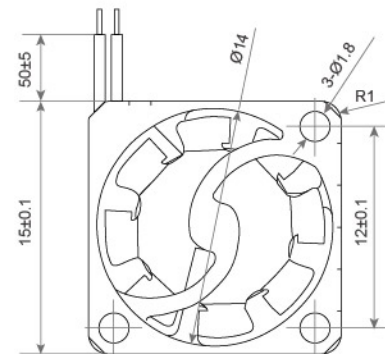
- Frame : Thermoplastic PBT UL94-V0 & Aluminum  
外框材質：環保防火PBT及鋁蓋
- Impeller : Thermoplastic PBT UL94-V0  
扇葉材質：環保防火PBT
- Bearing : WRB Bearing  
軸承：WRB軸承
- Unit Weight : 1.27g  
風扇單體重量：1.27克



4.35±0.15

→  
AIR FLOW

DIMENSIONS DRAWING UNIT : mm



Model No.	Bearing Type	Voltage (VDC)	Current (mA)	Power (W)	Speed (RPM)	Air Flow (CFM)	Air Flow (m <sup>3</sup> /min)	Air Pressure (mmH <sub>2</sub> O)	Air Pressure (Inch H <sub>2</sub> O)	Noise (dBA)
SFA1504U	★	2.4 (2.4~3.3)	11.0	0.30	7500	0.12	0.003	0.69	0.027	14.6
SFA1504-3	★	3.3 (2.8~3.6)	20.0	0.07	11000	0.18	0.005	1.39	0.055	18.0
SFA1504-5	★	5.0 (4.5~5.5)	30.0	0.15	16000	0.28	0.008	2.96	0.117	23.7

⊗ Bearing System ※ : Sleeve ★ : WRB ⊙ : Ball

★如果您需要的轉速或電壓或功能不在這份清單上，請與我們業務聯繫 Please contact us, if the SPEC you need is not in the list.

★產品詳細數據及功能請參閱承認書 Please see the approval sheet for more information . ★產品規格變更不另行通知 Specifications are subject to change without notice.