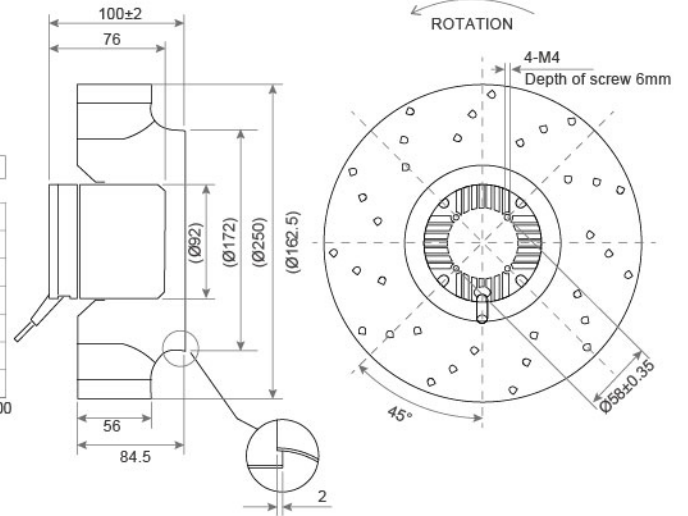
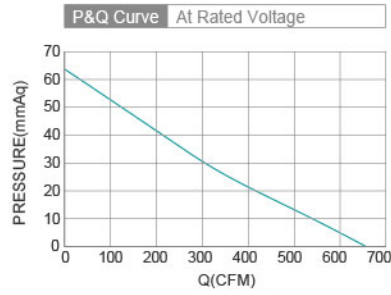


DC Backward Centrifugal Fan SDB3P250-DC092 SERIES Ø250X100mm



- Material : Galvanized sheet steel
材質：鍍鋅板材
- Bearing : ◎Two Ball bearing
軸承：◎滾珠軸承
- Protection Class : IP42
防護等級：IP42

DIMENSIONS DRAWING UNIT : mm



Model No.	Bearing Type	Voltage (VDC)	Current (A)	Power (W)	Speed (RPM)	Air Flow (CFM)	Air Flow (m ³ /min)	Air Pressure (mmH ₂ O)	Air Pressure (Inch H ₂ O)	Temperature Min / Max(°C)	Noise (dBA)
SDB3P250-DC092-A2	◎	24	4.0	95.0	2700	665.6	18.58	63.73	2.51	-25°C ~ +60°C	67.0
SDB3P250-DC092-A4	◎	48	2.0	95.0	2700	665.6	18.58	63.73	2.51	-25°C ~ +60°C	67.0

⊗ Bearing System ※ : Sleeve ★ : WRB ◎ : Ball

★如果您需要的轉速或電壓或功能不在這份清單上，請與我們業務聯繫 Please contact us, if the SPEC you need is not in the list.

★產品詳細數據及功能請參閱承認書 Please see the approval sheet for more information . ★產品規格變更不另行通知 Specifications are subject to change without notice. ■ C13