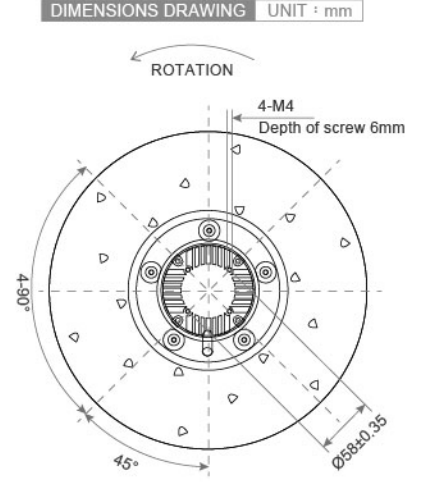
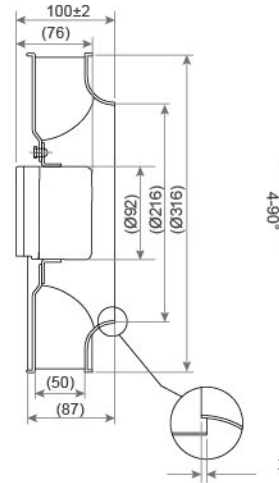
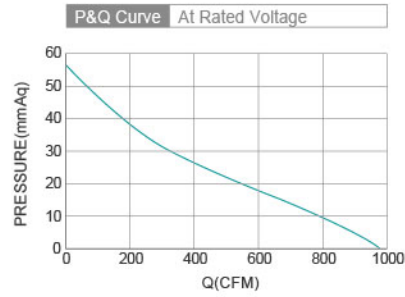


DC Backward Centrifugal Fan SDB3P310-DC092 SERIES Ø310X100mm



- Frame : Sheet Aluminum
外框材質 : 鋁合金板材
- Bearing : ◎Two Ball bearing
軸承 : ◎滾珠軸承
- Protection Class : IP42
防護等級 : IP42



Model No.	Bearing Type	Voltage (VDC)	Current (A)	Power (W)	Speed (RPM)	Air Flow (CFM)	Air Flow (m ³ /min)	Air Pressure (mmH ₂ O)	Air Pressure (Inch H ₂ O)	Temperature Min / Max(°C)	Noise (dBA)
SDB3P310-DC092-A2	◎	24	4.8	115	1820	990	28.02	55.88	2.21	-25°C ~ +60°C	67.0
SDB3P310-DC092-A4	◎	48	2.4	115	1820	990	28.02	55.88	2.21	-25°C ~ +60°C	67.0

⊗ Bearing System ※ : Sleeve ★ : WRB ◎ : Ball

★如果您需要的轉速或電壓或功能不在這份清單上，請與我們業務聯繫 Please contact us, if the SPEC you need is not in the list.

■ C12 ★產品詳細數據及功能請參閱承認書 Please see the approval sheet for more information . ★產品規格變更不另行通知 Specifications are subject to change without notice.