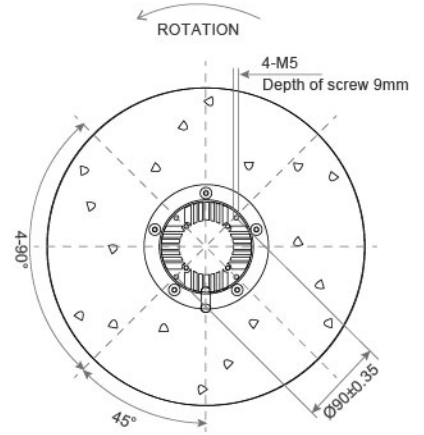
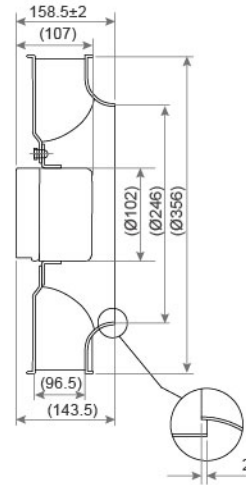
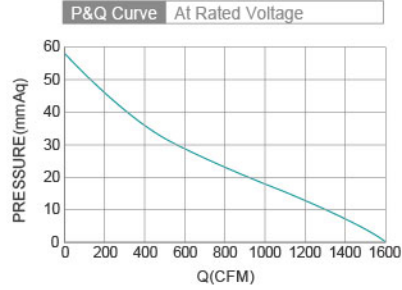


# DC Backward Centrifugal Fan SDB3P355-DC102 SERIES Ø355X158mm

DIMENSIONS DRAWING UNIT : mm

- Frame : Sheet Aluminum  
外框材質：鋁合金板材
- Impeller : Sheet Aluminum  
扇葉材質：鋁合金板材
- Bearing : ◎Two Ball bearing  
軸承：◎滾珠軸承
- Protection Class : IP42  
防護等級：IP42



Model No.	Bearing Type	Voltage (VDC)	Current (A)	Power (W)	Speed (RPM)	Air Flow (CFM)	Air Flow (m <sup>3</sup> /min)	Air Pressure (mmH <sub>2</sub> O)	Air Pressure (Inch H <sub>2</sub> O)	Temperature Min / Max(°C)	Noise (dBA)
SDB3P355-DC102-A4	◎	48	3.5	175	1560	1600	45.28	57.15	2.25	-25°C ~ +60°C	69.0

⊗ Bearing System ※ : Sleeve ★ : WRB ◎ : Ball

★如果您需要的轉速或電壓或功能不在這份清單上，請與我們業務聯繫 Please contact us, if the SPEC you need is not in the list.

★產品詳細數據及功能請參閱承認書 Please see the approval sheet for more information . ★產品規格變更不另行通知 Specifications are subject to change without notice. C15