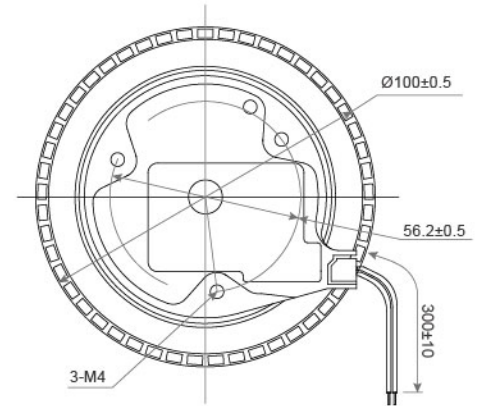
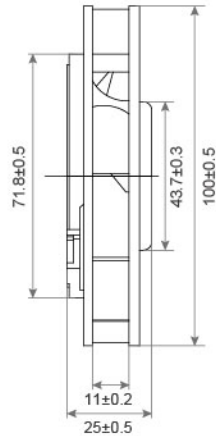




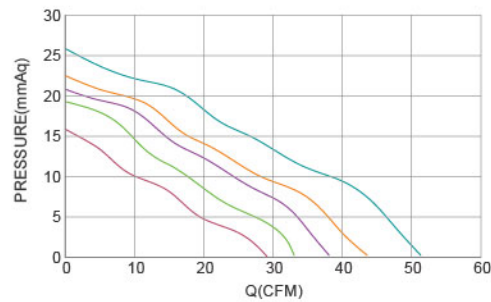
# DC Backward Centrifugal Fan TRC10025 FD SERIES Ø100X25mm

DIMENSIONS DRAWING UNIT : mm



- Frame : Thermoplastic PBT UL94-V0  
外框材質：環保防火PBT
- Impeller : Thermoplastic PBT UL94-V0  
扇葉材質：環保防火PBT
- Bearing : ※ Sleeve · ★WRB · ◎Two Ball Bearing  
軸承：※含油 · ★WRB · ◎滾珠軸承
- Unit Weight : 121g  
風扇單體重量：121克

P&Q Curve At Rated Voltage



Model No.	Bearing Type	Voltage (VDC)	Current (A)	Power (W)	Speed (RPM)	Air Flow (CFM)	Air Flow (m <sup>3</sup> /min)	Air Pressure (mmH <sub>2</sub> O)	Air Pressure (Inch H <sub>2</sub> O)	Noise (dBA)
TRC10025x12D	※★◎	12 ( 3.0~13.5)	0.29	3.5	2500	24.1	0.68	13.16	0.52	31.0
TRC10025x12L	※★◎	12 ( 3.0~13.5)	0.35	4.2	3000	29.0	0.82	15.79	0.62	37.2
TRC10025x12M	※★◎	12 ( 3.0~13.5)	0.41	4.9	3500	33.8	0.95	18.42	0.73	43.5
TRC10025x12H	※★◎	12 ( 3.0~13.5)	0.47	5.6	4000	38.6	1.09	21.06	0.83	49.7
TRC10025x12VH	※★◎	12 ( 3.0~13.5)	0.53	6.4	4500	43.5	1.22	23.69	0.92	55.9
TRC10025x24D	※★◎	24 (12.0~28.0)	0.15	3.6	2500	24.1	0.68	13.16	0.52	31.0
TRC10025x24L	※★◎	24 (12.0~28.0)	0.18	4.3	3000	29.0	0.82	15.79	0.62	37.2
TRC10025x24M	※★◎	24 (12.0~28.0)	0.21	5.0	3500	33.8	0.95	18.42	0.73	43.5
TRC10025x24H	※★◎	24 (12.0~28.0)	0.24	5.8	4000	38.6	1.09	21.06	0.83	49.7
TRC10025x24VH	※★◎	24 (12.0~28.0)	0.27	6.5	4500	43.5	1.22	23.69	0.92	55.9
TRC10025x24SH	※★◎	24 (12.0~28.0)	0.35	8.4	5500	51.3	1.44	25.50	1.16	62.0

⊗ Bearing System ※ : Sleeve ★ : WRB ◎ : Ball

★如果您需要的轉速或電壓或功能不在這份清單上，請與我們業務聯繫 Please contact us, if the SPEC you need is not in the list.

★產品詳細數據及功能請參閱承認書 Please see the approval sheet for more information . ★產品規格變更不另行通知 Specifications are subject to change without notice.