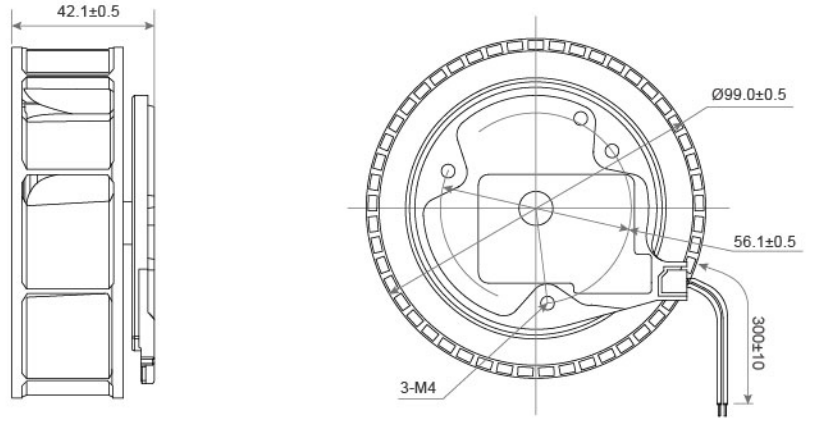


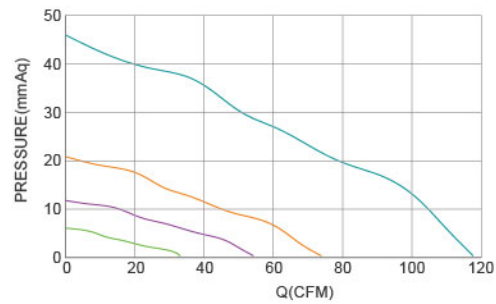
# DC Backward Centrifugal Fan TRC10042 FD SERIES Ø100X42mm

DIMENSIONS DRAWING UNIT : mm



- Frame : Thermoplastic PBT UL94-V0  
外框材質：環保防火PBT
- Impeller : Thermoplastic PBT UL94-V0  
扇葉材質：環保防火PBT
- Bearing : ◎Two Ball Bearing  
軸承：◎滾珠軸承
- Unit Weight : 150g  
風扇單體重量：150克

P&Q Curve At Rated Voltage



Model No.	Bearing Type	Voltage (VDC)	Current (A)	Power (W)	Speed (RPM)	Air Flow (CFM)	Air Flow (m <sup>3</sup> /min)	Air Pressure (mmH <sub>2</sub> O)	Air Pressure (Inch H <sub>2</sub> O)	Noise (dBA)
TRC10042x12D	◎	12 ( 6.2~13.2)	0.11	1.36	2000	33.94	0.96	6.60	0.25	32.5
TRC10042x12L	◎	12 ( 6.2~13.2)	0.32	3.90	3000	52.78	1.49	11.30	0.44	38.5
TRC10042x12M	◎	12 ( 6.2~13.2)	0.85	10.20	4000	73.31	2.08	20.45	0.80	44.5
TRC10042x12H	◎	12 ( 6.2~13.2)	2.56	30.8	6000	118.99	3.37	46.67	1.83	58.5
TRC10042x24M	◎	24 (13.2~26.8)	0.43	10.32	4000	73.31	2.08	20.45	0.80	44.5
TRC10042x24H	◎	24 (13.2~26.8)	1.28	30.72	6000	118.99	3.37	46.67	1.83	58.5
TRC10042x48M	◎	48 (33.0~54.0)	0.21	10.32	4000	73.31	2.08	20.45	0.80	44.5
TRC10042x48H	◎	48 (33.0~54.0)	0.64	30.72	6000	118.99	3.37	46.67	1.83	58.5

⊗ Bearing System ※ : Sleeve ★ : WRB ◎ : Ball

★如果您需要的轉速或電壓或功能不在這份清單上，請與我們業務聯繫 Please contact us, if the SPEC you need is not in the list.

★產品詳細數據及功能請參閱承認書 Please see the approval sheet for more information . ★產品規格變更不另行通知 Specifications are subject to change without notice.