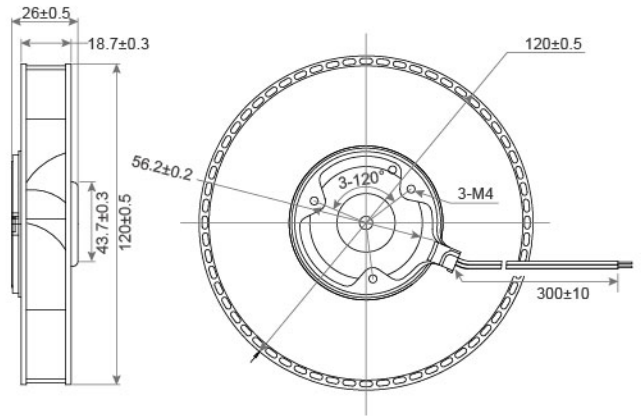
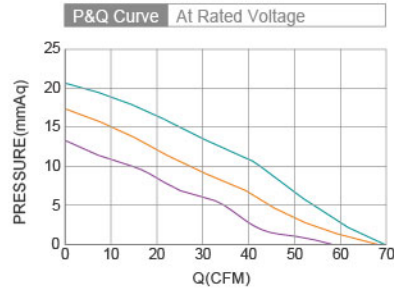


# DC Backward Centrifugal Fan TRC12025 FD SERIES Ø120X25mm



- Frame : Thermoplastic PBT UL94-V0  
外框材質：環保防火PBT
- Impeller : Thermoplastic PBT UL94-V0  
扇葉材質：環保防火PBT
- Bearing : ◎Two Ball bearing  
軸承：◎滾珠軸承
- Unit Weight : 155g  
風扇單體重量：155克

DIMENSIONS DRAWING UNIT : mm



Model No.	Bearing Type	Voltage (VDC)	Current (A)	Power (W)	Speed (RPM)	Air Flow (CFM)	Air Flow (m <sup>3</sup> /min)	Air Pressure (mmH <sub>2</sub> O)	Air Pressure (Inch H <sub>2</sub> O)	Temperature Min / Max(°C)	Noise (dBA)
TRC1225B12L	◎	12	0.60	7.2	2500	57.29	1.62	13.95	0.55	-25°C ~ +60°C	45.0
TRC1225B12M	◎	12	0.80	9.6	3000	17.74	1.93	17.74	0.70	-25°C ~ +60°C	49.6
TRC1225B12H	◎	12	1.20	14.4	3500	21.18	1.97	21.18	0.83	-25°C ~ +60°C	53.5
TRC1225B24L	◎	24	0.30	7.2	2500	57.29	1.62	13.95	0.55	-25°C ~ +60°C	45.0
TRC1225B24M	◎	24	0.40	9.6	3000	17.74	1.93	17.74	0.70	-25°C ~ +60°C	49.6
TRC1225B24H	◎	24	0.60	14.4	3500	21.18	1.97	21.18	0.83	-25°C ~ +60°C	53.5
TRC1225B48L	◎	48	0.15	7.2	2500	57.29	1.62	13.95	0.55	-25°C ~ +60°C	45.0
TRC1225B48M	◎	48	0.20	9.6	3000	17.74	1.93	17.74	0.70	-25°C ~ +60°C	49.6
TRC1225B48H	◎	48	0.32	14.4	3500	21.18	1.97	21.18	0.83	-25°C ~ +60°C	53.5

⊗ Bearing System ※ : Sleeve ★ : WRB ◎ : Ball

★如果您需要的轉速或電壓或功能不在這份清單上，請與我們業務聯繫 Please contact us, if the SPEC you need is not in the list.

★產品詳細數據及功能請參閱承認書 Please see the approval sheet for more information . ★產品規格變更不另行通知 Specifications are subject to change without notice.