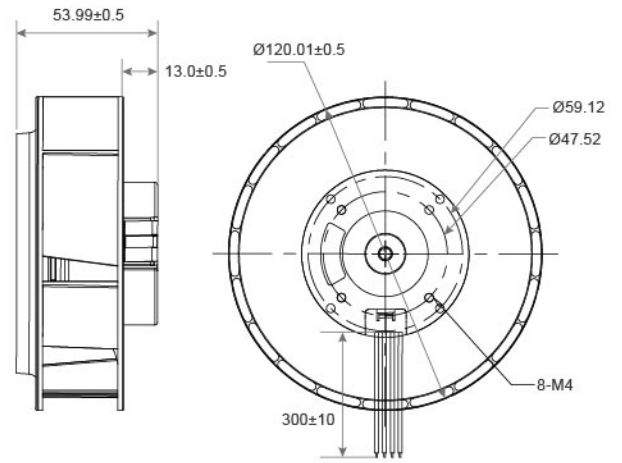
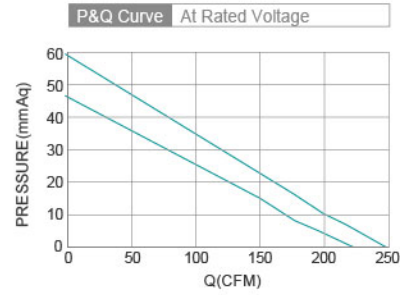


DC Backward Centrifugal Fan TRC12054 U SERIES Ø120X54mm



- Frame : Aluminum
外框材質 : 鋁框
- Impeller : Thermoplastic PBT UL94-V0
扇葉材質 : 環保防火PBT
- Bearing : ◎Two Ball bearing
軸承 : ◎滾珠軸承
- Unit Weight : 315g
風扇單體重量 : 315克



Model No.	Bearing Type	Voltage (VDC)	Current (A)	Power (W)	Speed (RPM)	Air Flow (CFM)	Air Flow (m ³ /min)	Air Pressure (mmH ₂ O)	Air Pressure (Inch H ₂ O)	Temperature Min / Max(°C)	Noise (dBA)
TRC12054B12M	◎	12	3.2	37.5	5000	206.7	5.85	47.1	1.86	-25°C ~ +60°C	69.0
TRC12054B12H	◎	12	5.6	67.2	6000	230.1	6.51	60.0	2.36	-25°C ~ +60°C	74.9
TRC12054B24M	◎	24	1.6	37.5	5000	206.7	5.85	47.1	1.86	-25°C ~ +60°C	69.0
TRC12054B24H	◎	24	2.8	67.2	6000	230.1	6.51	60.0	2.36	-25°C ~ +60°C	74.9
TRC12054B48M	◎	48	0.8	37.5	5000	206.7	5.85	47.1	1.86	-25°C ~ +60°C	69.0
TRC12054B48H	◎	48	1.4	67.2	6000	230.1	6.51	60.0	2.36	-25°C ~ +60°C	74.9

⊗ Bearing System ※ : Sleeve ★ : WRB ◎ : Ball

★如果您需要的轉速或電壓或功能不在這份清單上，請與我們業務聯繫 Please contact us, if the SPEC you need is not in the list.

★產品詳細數據及功能請參閱承認書 Please see the approval sheet for more information . ★產品規格變更不另行通知 Specifications are subject to change without notice.