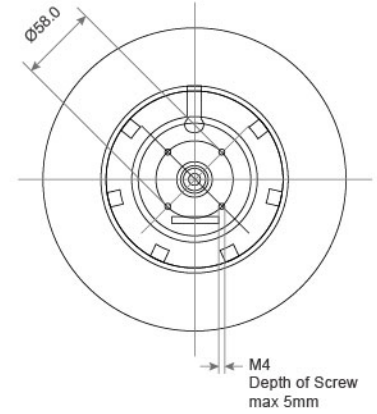
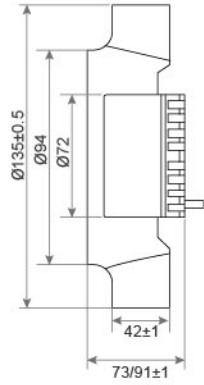
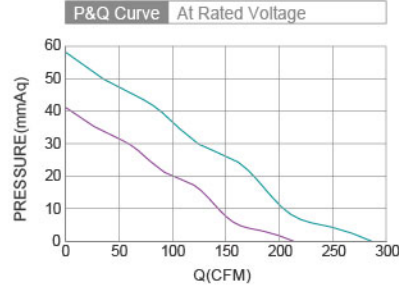


# DC Backward Centrifugal Fan TRC13373 FD SERIES Ø133X73mm



- Frame : Thermoplastic PBT UL94-V0  
外框材質：環保防火PBT
- Impeller : Thermoplastic PBT UL94-V0  
扇葉材質：環保防火PBT
- Bearing : ◎Two Ball bearing  
軸承：◎滾珠軸承
- Unit Weight : 490g  
風扇單體重量：490克

DIMENSIONS DRAWING UNIT : mm



Model No.	Bearing Type	Voltage (VDC)	Current (A)	Power (W)	Speed (RPM)	Air Flow (CFM)	Air Flow (m <sup>3</sup> /min)	Air Pressure (mmH <sub>2</sub> O)	Air Pressure (Inch H <sub>2</sub> O)	Noise (dBA)
TRC13373B24M	◎	24	1.2	28.8	3800	218.0	6.17	41.81	1.65	62.5
TRC13373B24H	◎	24	2.0	48.0	4500	285.0	8.07	57.10	2.25	68.5
TRC13373B48M	◎	48	0.6	28.8	3800	218.0	6.17	41.81	1.65	62.5
TRC13373B48H	◎	48	1.1	52.8	4500	285.0	8.07	57.10	2.25	68.5

⊗ Bearing System ※ : Sleeve ★ : WRB ◎ : Ball

★如果您需要的轉速或電壓或功能不在這份清單上，請與我們業務聯繫 Please contact us, if the SPEC you need is not in the list.

★產品詳細數據及功能請參閱承認書 Please see the approval sheet for more information . ★產品規格變更不另行通知 Specifications are subject to change without notice.