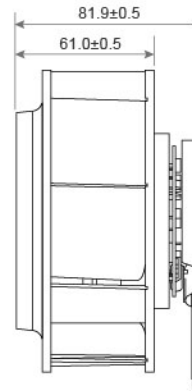
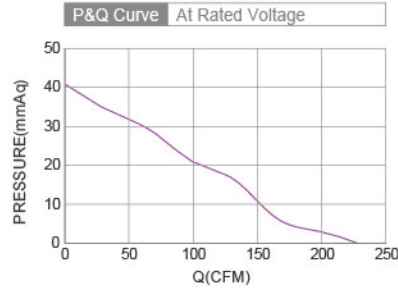


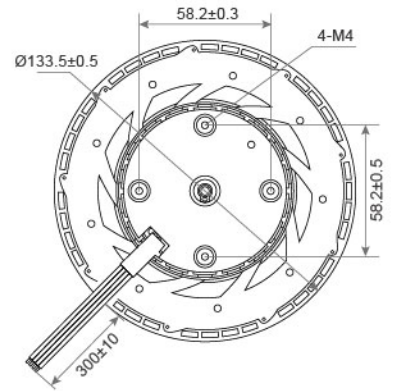
DC Backward Centrifugal Fan TRC13382 FD SERIES Ø133X82mm



- Frame : Thermoplastic PBT UL94-V0
外框材質：環保防火PBT
- Impeller : Thermoplastic PBT UL94-V0
扇葉材質：環保防火PBT
- Bearing : ◎Two Ball bearing
軸承：◎滾珠軸承
- Unit Weight : 560g
風扇單體重量：560克



DIMENSIONS DRAWING UNIT : mm



Model No.	Bearing Type	Voltage (VDC)	Current (A)	Power (W)	Speed (RPM)	Air Flow (CFM)	Air Flow (m ³ /min)	Air Pressure (mmH ₂ O)	Air Pressure (Inch H ₂ O)	Noise (dBA)
TRC13382B24M	◎	24 (13.0~26.5)	1.2	28.8	4150	226.0	6.39	40.39	1.59	61.0
TRC13382B48M	◎	48 (36.0~55.5)	0.6	28.8	4150	226.0	6.39	40.39	1.59	61.0

⊗ Bearing System ※ : Sleeve ★ : WRB ◎ : Ball

★如果您需要的轉速或電壓或功能不在這份清單上，請與我們業務聯繫 Please contact us, if the SPEC you need is not in the list.

★產品詳細數據及功能請參閱承認書 Please see the approval sheet for more information . ★產品規格變更不另行通知 Specifications are subject to change without notice.