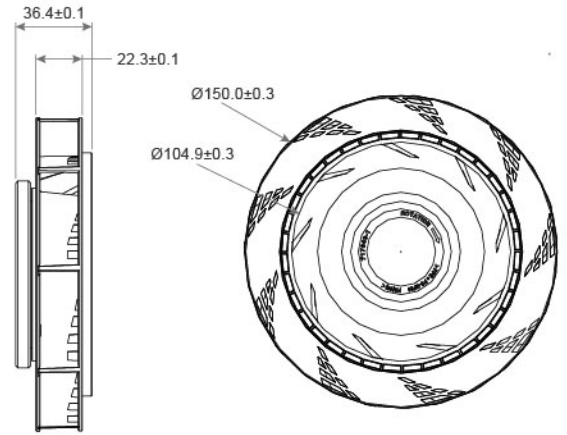
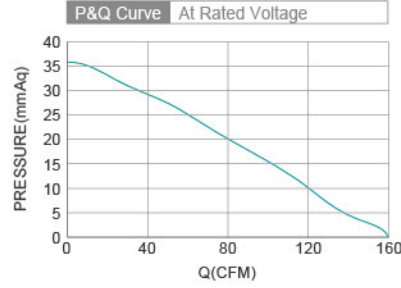


DC Centrifugal Fan TRC15035 FD SERIES Ø150X35mm



- Frame : Thermoplastic PBT UL94-V0
外框材質：環保防火PBT
- Impeller : Thermoplastic PBT UL94-V0
扇葉材質：環保防火PBT
- Bearing : ◎Two Ball bearing
軸承：◎滾珠軸承
- Unit Weight : 353g
風扇單體重量：353克



Model No.	Bearing Type	Voltage (VDC)	Current (A)	Power (W)	Speed (RPM)	Air Flow (CFM)	Air Flow (m ³ /min)	Air Pressure (mmH ₂ O)	Air Pressure (Inch H ₂ O)	Noise (dBA)
TRC15035B24M	◎	24 (18.0~26.5)	0.77	18.48	3700	159.15	4.50	36.56	1.44	64.3
TRC15035B48M	◎	48 (36.0~54.0)	0.39	18.48	3700	159.15	4.50	36.56	1.44	64.3

⊗ Bearing System ※ : Sleeve ★ : WRB ◎ : Ball

★如果您需要的轉速或電壓或功能不在這份清單上，請與我們業務聯繫 Please contact us, if the SPEC you need is not in the list.

★產品詳細數據及功能請參閱承認書 Please see the approval sheet for more information . ★產品規格變更不另行通知 Specifications are subject to change without notice.