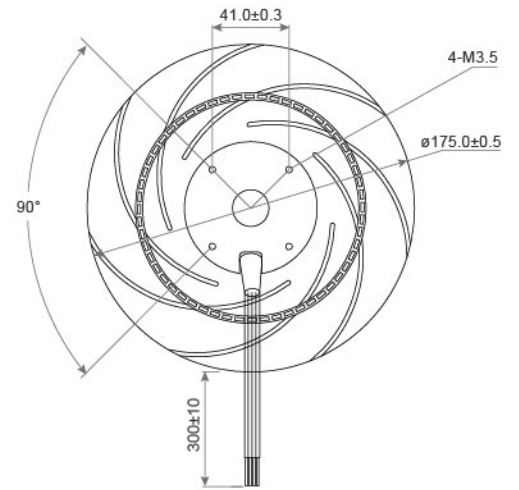
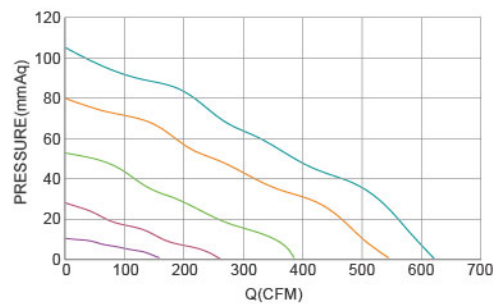


DIMENSIONS DRAWING UNIT : mm



- Frame : Thermoplastic PBT UL94-V0  
外框材質：環保防火PBT
- Impeller : Thermoplastic PBT UL94-V0  
扇葉材質：環保防火PBT
- Bearing : ◎Two Ball Bearing  
軸承：◎滾珠軸承
- Unit Weight : 810g  
風扇單體重量：810克

P&Q Curve At Rated Voltage



Model No.	Bearing Type	Voltage (VDC)	Current (A)	Power (W)	Speed (RPM)	Air Flow (CFM)	Air Flow (m <sup>3</sup> /min)	Air Pressure (mmH <sub>2</sub> O)	Air Pressure (Inch H <sub>2</sub> O)	Noise (dBA)
TRC17569x12D	◎	12 ( 4.6~13.5)	0.9	10.8	1500	162.0	4.60	10.20	0.41	41.0
TRC17569x12L	◎	12 ( 4.6~13.5)	1.8	21.6	2000	218.3	6.20	18.10	0.71	51.0
TRC17569x12M	◎	12 ( 4.6~13.5)	2.7	32.4	2500	267.6	7.60	26.80	1.06	56.0
TRC17569x12H	◎	12 ( 4.6~13.5)	3.6	43.2	3100	327.5	9.30	39.20	1.54	60.0
TRC17569x12VH	◎	12 ( 4.6~13.5)	5.4	64.8	3700	383.8	10.90	54.20	2.13	65.5
TRC17569x24D	◎	24 (12.0~28.0)	0.5	10.8	1500	162.0	4.60	10.20	0.41	41.0
TRC17569x24L	◎	24 (12.0~28.0)	0.9	21.6	2000	218.3	6.20	18.10	0.71	51.0
TRC17569x24M	◎	24 (12.0~28.0)	1.4	32.4	2500	267.6	7.60	26.80	1.06	56.0
TRC17569x24H	◎	24 (12.0~28.0)	1.8	43.2	3100	327.5	9.30	39.20	1.54	60.0
TRC17569x24VH	◎	24 (12.0~28.0)	2.7	64.8	3700	383.8	10.90	54.20	2.13	65.5
TRC17569x24SH	◎	24 (12.0~28.0)	5.2	124.8	4900	502.0	14.25	79.54	3.11	76.0
TRC17569x24UH	◎	24 (12.0~28.0)	8.0	192.0	5400	556.0	15.79	101.56	4.00	79.0
TRC17569x48D	◎	48 (35.0~57.0)	0.2	10.8	1500	162.0	4.60	10.20	0.41	41.0
TRC17569x48L	◎	48 (35.0~57.0)	0.5	21.6	2000	218.3	6.20	18.10	0.71	51.0
TRC17569x48M	◎	48 (35.0~57.0)	0.7	32.4	2500	267.6	7.60	26.80	1.06	56.0
TRC17569x48H	◎	48 (35.0~57.0)	0.9	43.2	3100	327.5	9.30	39.20	1.54	60.0
TRC17569x48VH	◎	48 (35.0~57.0)	1.4	64.8	3700	383.8	10.90	54.20	2.13	65.5
TRC17569x48SH	◎	48 (35.0~57.0)	2.6	124.8	4800	541.0	15.30	79.54	3.33	73.0
TRC17569x48UH	◎	48 (35.0~57.0)	4.0	192.0	5400	622.0	17.60	117.27	4.42	80.0

⊗ Bearing System ※ : Sleeve ★ : WRB ◎ : Ball

★如果您需要的轉速或電壓或功能不在這份清單上，請與我們業務聯繫 Please contact us, if the SPEC you need is not in the list.

■ C10 ★產品詳細數據及功能請參閱承認書 Please see the approval sheet for more information . ★產品規格變更不另行通知 Specifications are subject to change without notice.