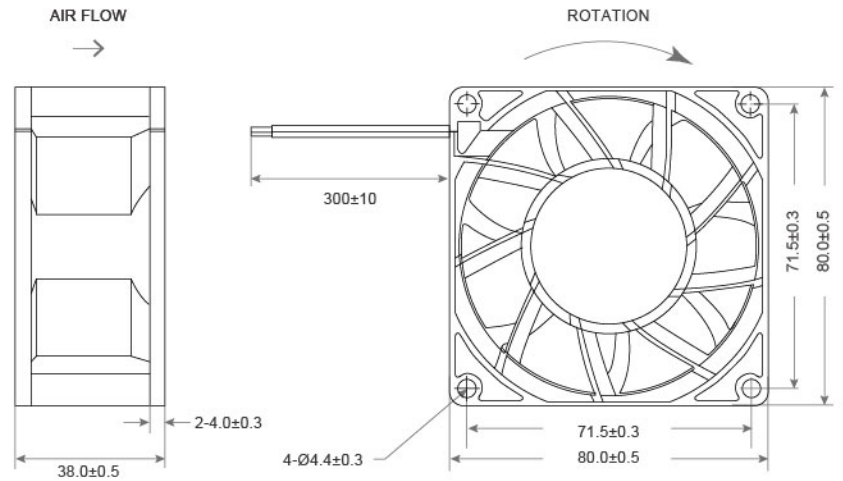


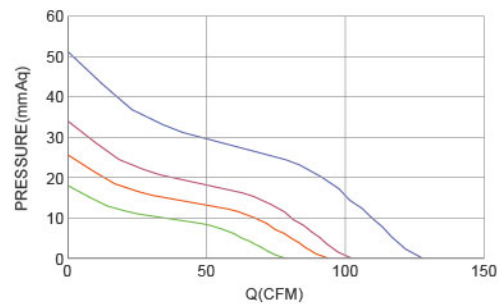
# DC Axial Fan TRD8038 SERIES 80X80X38mm

DIMENSIONS DRAWING UNIT : mm



- Frame : Thermoplastic PBT UL94-V0  
外框材質：環保防火PBT
- Impeller : Thermoplastic PBT UL94-V0  
扇葉材質：環保防火PBT
- Bearing : ★WRB · ◎Two Ball Bearing  
軸承：★WRB · ◎滾珠軸承
- Unit Weight : 190g  
風扇單體重量：190克

P&Q Curve At Rated Voltage



Model No.	Bearing Type	Voltage (VDC)	Current (A)	Power (W)	Speed (RPM)	Air Flow (CFM)	Air Flow (m <sup>3</sup> /min)	Air Pressure (mmH <sub>2</sub> O)	Air Pressure (Inch H <sub>2</sub> O)	Noise (dBA)
TRD8038x12D	★◎	12 (7.0~14.0)	0.20	3.12	4000	51.23	1.45	8.49	0.33	36.9
TRD8038x12L	★◎	12 (7.0~14.0)	0.24	4.56	5000	63.72	1.80	13.14	0.51	42.3
TRD8038x12M	★◎	12 (7.0~14.0)	0.60	7.92	6000	76.22	2.16	18.80	0.74	47.7
TRD8038x12H	◎	12 (7.0~14.0)	0.88	12.00	7000	88.72	2.51	25.46	1.00	52.9
TRD8038x12VH.Q	◎	12 (7.0~14.0)	1.10	14.88	8000	101.21	2.86	33.15	1.31	55.6
TRD8038x24D	★◎	24 (15.0~27.0)	0.10	3.12	4000	51.23	1.45	8.49	0.33	36.9
TRD8038x24L	★◎	24 (15.0~27.0)	0.12	3.84	5000	63.72	1.80	13.14	0.51	42.3
TRD8038x24M	★◎	24 (15.0~27.0)	0.30	7.92	6000	76.22	2.16	18.80	0.74	47.7
TRD8038x24H	◎	24 (15.0~27.0)	0.44	12.00	7000	88.72	2.51	25.46	1.00	52.9
TRD8038x24VH.Q	◎	24 (15.0~27.0)	0.55	14.88	8000	101.21	2.86	33.15	1.31	55.6
TRD8038x24SH.Q	◎	24 (15.0~27.0)	1.10	28.80	10000	126.21	3.57	51.54	2.03	61.4
TRD8038x48D	★◎	48 (35.0~57.0)	0.05	3.12	4000	51.23	1.45	8.49	0.33	36.9
TRD8038x48L	★◎	48 (35.0~57.0)	0.06	3.84	5000	63.72	1.80	13.14	0.51	42.3
TRD8038x48M	★◎	48 (35.0~57.0)	0.15	7.92	6000	76.22	2.16	18.80	0.74	47.7
TRD8038x48H	◎	48 (35.0~57.0)	0.22	12.00	7000	88.72	2.51	25.46	1.00	52.9
TRD8038x48VH.Q	◎	48 (35.0~57.0)	0.27	14.88	8000	101.21	2.86	33.15	1.31	55.6
TRD8038x48SH.Q	◎	48 (35.0~57.0)	0.55	28.80	10000	126.21	3.57	51.54	2.03	61.4

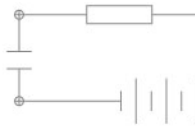
Optional Frames :



⊗ Bearing System ※ : Sleeve ★ : WRB ◎ : Ball

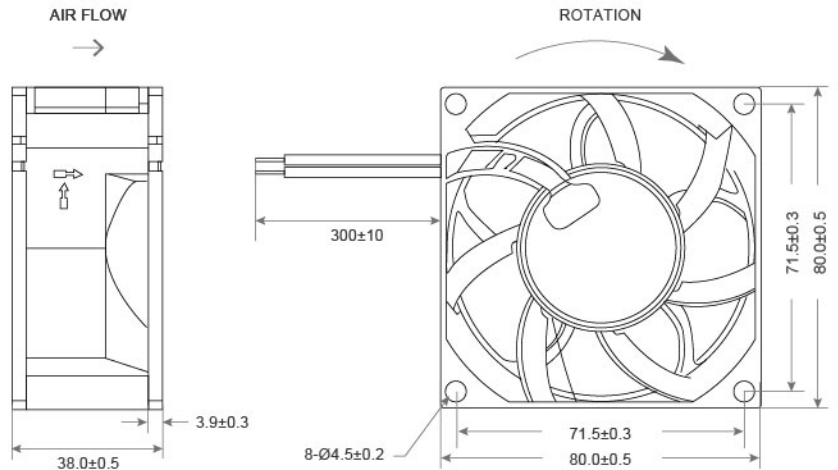
★如果您需要的轉速或電壓或功能不在這份清單上，請與我們業務聯繫 Please contact us, if the SPEC you need is not in the list.

★產品詳細數據及功能請參閱承認書 Please see the approval sheet for more information . ★產品規格變更不另行通知 Specifications are subject to change without notice. ■ A66



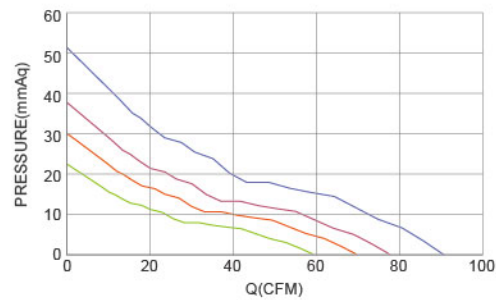
# DC Axial Fan TRD8038 B SERIES 80X80X38mm

DIMENSIONS DRAWING UNIT : mm



- Frame : Thermoplastic PBT UL94-V0  
外框材質：環保防火PBT
- Impeller : Thermoplastic PBT UL94-V0  
扇葉材質：環保防火PBT
- Bearing : ★WRB · ◎Two Ball Bearing  
軸承：★WRB · ◎滾珠軸承
- Unit Weight : 153g  
風扇單體重量：153克

P&Q Curve At Rated Voltage



Model No.	Bearing Type	Voltage (VDC)	Current (A)	Power (W)	Speed (RPM)	Air Flow (CFM)	Air Flow (m <sup>3</sup> /min)	Air Pressure (mmH <sub>2</sub> O)	Air Pressure (Inch H <sub>2</sub> O)	Noise (dBA)
TRD8038x12L	★◎	12 (7.0~14.0)	0.20	2.40	5200	50.19	1.42	15.71	0.62	39.9
TRD8038x12M	◎	12 (7.0~14.0)	0.32	3.84	6200	59.83	1.69	22.33	0.88	44.7
TRD8038x12H	◎	12 (7.0~14.0)	0.50	6.00	7200	69.49	1.97	30.11	1.19	47.4
TRD8038x24L	★◎	24 (15.0~27.0)	0.10	2.40	5200	50.19	1.42	15.71	0.62	39.9
TRD8038x24M	◎	24 (15.0~27.0)	0.16	3.84	6200	59.83	1.69	22.33	0.88	44.7
TRD8038x24H	◎	24 (15.0~27.0)	0.25	6.00	7200	69.49	1.97	30.11	1.19	47.4
TRD8038x24VH	◎	24 (15.0~27.0)	0.34	8.16	8000	77.21	2.18	37.18	1.46	51.0
TRD8038x24SH	◎	24 (15.0~27.0)	0.60	14.40	9400	90.72	2.57	51.33	2.02	56.4
TRD8038x48L	★◎	48 (35.0~57.0)	0.05	2.40	5200	50.19	1.42	15.71	0.62	39.9
TRD8038x48M	◎	48 (35.0~57.0)	0.08	3.84	6200	59.83	1.69	22.33	0.88	44.7
TRD8038x48H	◎	48 (35.0~57.0)	0.12	5.76	7200	69.49	1.97	30.11	1.19	47.4
TRD8038x48VH	◎	48 (35.0~57.0)	0.17	8.16	8000	77.21	2.18	37.18	1.46	51.0
TRD8038x48SH	◎	48 (35.0~57.0)	0.30	14.40	9400	90.72	2.57	51.33	2.02	56.4

Optional Frames :



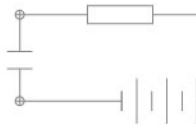
Screw Holes :



⊗ Bearing System ※ : Sleeve ★ : WRB ◎ : Ball

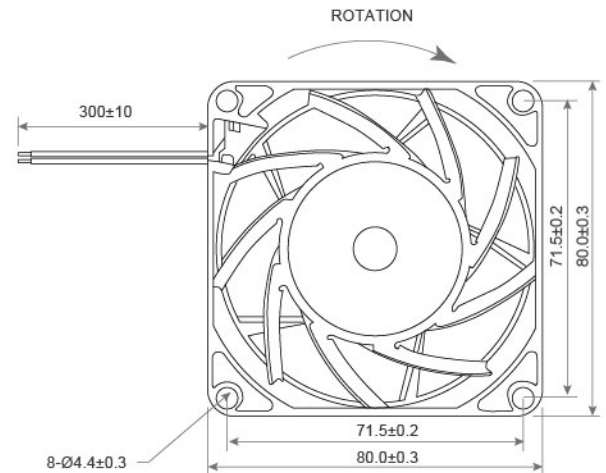
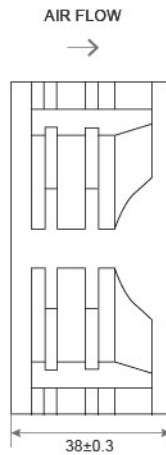
★如果您需要的轉速或電壓或功能不在這份清單上，請與我們業務聯繫 Please contact us, if the SPEC you need is not in the list.

★產品詳細數據及功能請參閱承認書 Please see the approval sheet for more information . ★產品規格變更不另行通知 Specifications are subject to change without notice.



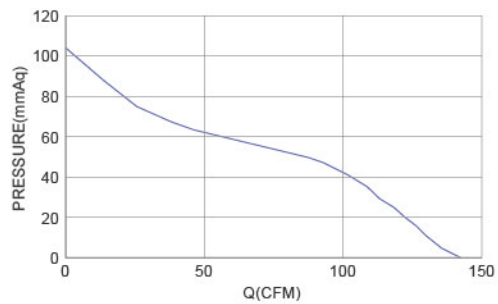
# DC Axial Fan TRD8038 C SERIES 80X80X38mm

DIMENSIONS DRAWING UNIT : mm



- Frame : Thermoplastic PBT UL94-V0  
外框材質：環保防火PBT
- Impeller : Thermoplastic PBT UL94-V0  
扇葉材質：環保防火PBT
- Bearing : ◎Two Ball Bearing  
軸承：◎滾珠軸承
- Unit Weight : 153g  
風扇單體重量：153克

P&Q Curve At Rated Voltage



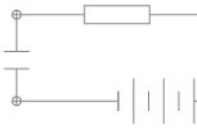
Model No.	Bearing Type	Voltage (VDC)	Current (A)	Power (W)	Speed (RPM)	Air Flow (CFM)	Air Flow (m <sup>3</sup> /min)	Air Pressure (mmH <sub>2</sub> O)	Air Pressure (Inch H <sub>2</sub> O)	Noise (dBA)
TRD8038x12SH	◎	12 ( 7.0~14.0)	2.70	32.4	15000	140.01	3.99	104.09	4.10	67.5
TRD8038x24SH	◎	24 (15.0~27.0)	1.35	32.4	15000	140.01	3.99	104.09	4.10	67.5
TRD8038x48SH	◎	48 (35.0~57.0)	0.67	32.4	15000	140.01	3.99	104.09	4.10	67.5

⊗ Bearing System ※ : Sleeve ★ : WRB ◎ : Ball

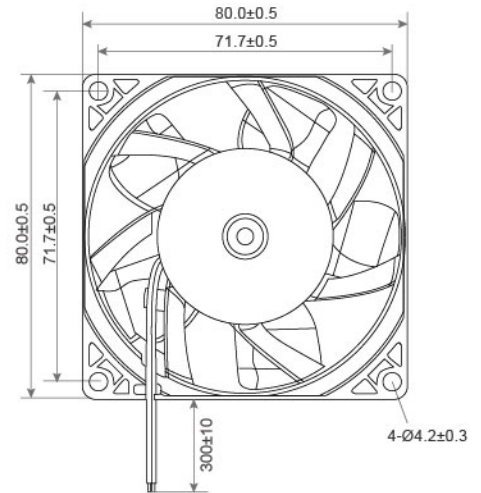
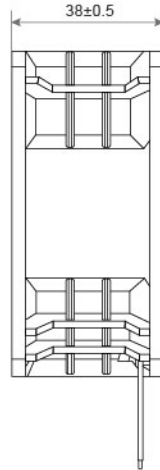
★如果您需要的轉速或電壓或功能不在這份清單上，請與我們業務聯繫 Please contact us, if the SPEC you need is not in the list.

★產品詳細數據及功能請參閱承認書 Please see the approval sheet for more information . ★產品規格變更不另行通知 Specifications are subject to change without notice. ■ A68



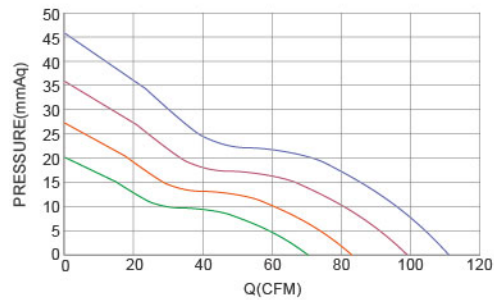


DIMENSIONS DRAWING UNIT : mm



- Frame : Thermoplastic PBT UL94-V0  
外框材質：環保防火PBT
- Impeller : Thermoplastic PBT UL94-V0  
扇葉材質：環保防火PBT
- Bearing : ※ Sleeve · ★WRB · ◎Two Ball Bearing  
軸承：※含油 · ★WRB · ◎滾珠軸承
- Unit Weight : 165g  
風扇單體重量：165克

P&Q Curve At Rated Voltage

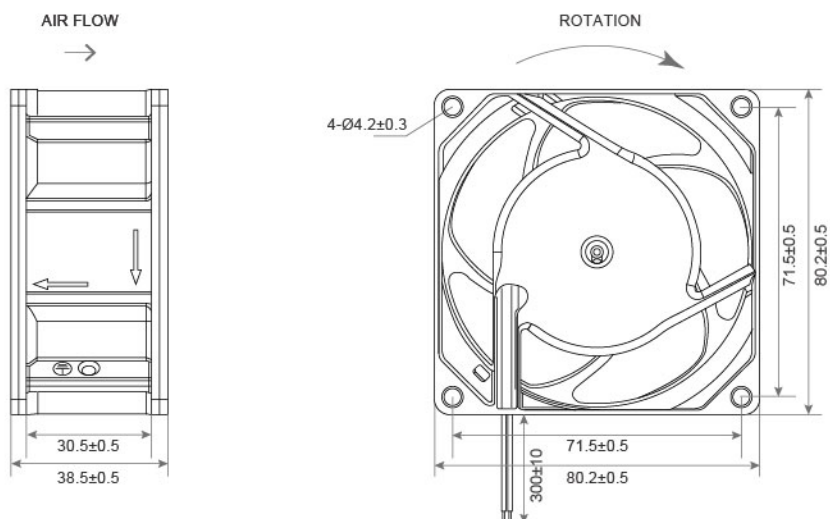


Model No.	Bearing Type	Voltage (VDC)	Current (A)	Power (W)	Speed (RPM)	Air Flow (CFM)	Air Flow (m <sup>3</sup> /min)	Air Pressure (mmH <sub>2</sub> O)	Air Pressure (Inch H <sub>2</sub> O)	Noise (dBA)
TRD8038B12D	※★◎	12 (7.2~13.2)	0.50	6.00	5000	58.71	1.67	14.19	0.559	45.5
TRD8038B12L	※★◎	12 (7.2~13.2)	0.65	7.80	6000	70.39	1.99	20.11	0.792	48.5
TRD8038B12H	※★◎	12 (7.2~13.2)	0.90	10.80	7000	82.45	2.34	27.03	1.06	51.5
TRD8038B12VH	※★◎	12 (7.2~13.2)	1.20	14.40	8000	95.95	2.73	36.39	1.43	54.5
TRD8038B12SH	※★◎	12 (7.2~13.2)	1.50	18.00	9000	108.39	3.08	45.77	1.80	57.5
TRD8038B24D	※★◎	24 (14.5~27.0)	0.25	6.00	5000	58.71	1.67	14.19	0.56	45.5
TRD8038B24L	※★◎	24 (14.5~27.0)	0.33	7.92	6000	70.39	1.99	20.11	0.79	48.5
TRD8038B24H	※★◎	24 (14.5~27.0)	0.45	10.80	7000	82.45	2.34	27.03	1.06	51.5
TRD8038B24VH	※★◎	24 (14.5~27.0)	0.60	14.40	8000	95.95	2.73	36.39	1.43	54.5
TRD8038B24SH	※★◎	24 (14.5~27.0)	0.75	18.00	9000	108.39	3.08	45.77	1.80	57.5
TRD8038B48D	※★◎	48 (32.0~55.0)	0.13	6.00	5000	58.71	1.67	14.19	0.56	45.5
TRD8038B48L	※★◎	48 (32.0~55.0)	0.16	7.68	6000	70.39	1.99	20.11	0.79	48.5
TRD8038B48H	※★◎	48 (32.0~55.0)	0.23	10.80	7000	82.45	2.34	27.03	1.06	51.5
TRD8038B48VH	※★◎	48 (32.0~55.0)	0.30	14.40	8000	95.95	2.73	36.39	1.43	54.5
TRD8038B48SH	※★◎	48 (32.0~55.0)	0.38	18.24	9000	108.39	3.08	45.77	1.80	57.5



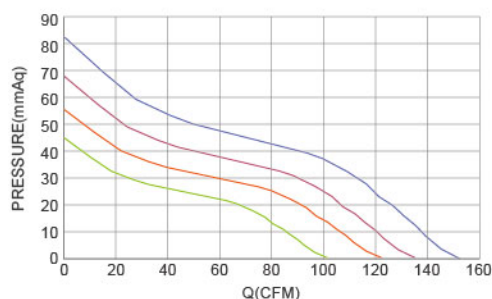
# DC Axial Fan TRD8038 FDE SERIES 80X80X38mm

DIMENSIONS DRAWING UNIT : mm



- Frame : Aluminum  
外框材質：鋁框
- Impeller : Thermoplastic PBT UL94-V0  
扇葉材質：環保防火PBT
- Bearing : ★WRB · ◎Two Ball Bearing  
軸承：★WRB · ◎滾珠軸承
- Unit Weight : 270g  
風扇單體重量：270克

P&Q Curve At Rated Voltage



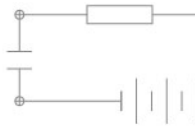
Model No.	Bearing Type	Voltage (VDC)	Current (A)	Power (W)	Speed (RPM)	Air Flow (CFM)	Air Flow (m <sup>3</sup> /min)	Air Pressure (mmH <sub>2</sub> O)	Air Pressure (Inch H <sub>2</sub> O)	Noise (dBA)
TRD8038x12SD	※★◎	12 (7.2~13.2)	0.50	6.00	5000	58.71	1.67	14.19	0.56	45.5
TRD8038x12D	※★◎	12 (7.2~13.2)	0.65	7.80	6000	70.39	1.99	20.11	0.79	48.5
TRD8038x12L	※★◎	12 (7.2~13.2)	0.90	10.80	7000	82.45	2.34	27.03	1.06	51.5
TRD8038x12M	※★◎	12 (7.2~13.2)	1.20	14.40	8000	95.95	2.73	36.39	1.43	54.5
TRD8038x12H	※★◎	12 (7.2~13.2)	1.50	18.00	9000	108.39	3.08	45.77	1.80	57.5
TRD8038x12VH	※★◎	12 (7.2~13.2)	1.90	22.80	10000	122.80	3.49	55.65	2.19	60.5
TRD8038x12SH	※★◎	12 (7.2~13.2)	2.50	30.00	11000	135.45	3.85	67.55	2.66	63.5
TRD8038x12UH	※★◎	12 (7.2~13.2)	3.20	38.40	12500	151.86	4.31	82.52	3.25	66.5
TRD8038x24SD	※★◎	24 (14.5~27.0)	0.25	6.00	5000	58.71	1.67	14.19	0.56	45.5
TRD8038x24D	※★◎	24 (14.5~27.0)	0.33	7.92	6000	70.39	1.99	20.11	0.79	48.5
TRD8038x24L	※★◎	24 (14.5~27.0)	0.45	10.80	7000	82.45	2.34	27.03	1.06	51.5
TRD8038x24M	※★◎	24 (14.5~27.0)	0.60	14.40	8000	95.95	2.73	36.39	1.43	54.5
TRD8038x24H	※★◎	24 (14.5~27.0)	0.75	18.00	9000	108.39	3.08	45.77	1.80	57.5
TRD8038x24VH	※★◎	24 (14.5~27.0)	0.95	22.80	10000	122.80	3.49	55.65	2.19	60.5
TRD8038x24SH	※★◎	24 (14.5~27.0)	1.25	30.00	11000	135.45	3.85	67.55	2.66	63.5
TRD8038x24UH	※★◎	24 (14.5~27.0)	1.60	38.40	12500	151.86	4.31	82.52	3.25	66.5
TRD8038x48SD	※★◎	48 (32.0~55.0)	0.13	6.00	5000	58.71	1.67	14.19	0.56	45.5
TRD8038x48D	※★◎	48 (32.0~55.0)	0.16	7.68	6000	70.39	1.99	20.11	0.79	48.5
TRD8038x48L	※★◎	48 (32.0~55.0)	0.23	10.80	7000	82.45	2.34	27.03	1.06	51.5
TRD8038x48M	※★◎	48 (32.0~55.0)	0.30	14.40	8000	95.95	2.73	36.39	1.43	54.5
TRD8038x48H	※★◎	48 (32.0~55.0)	0.38	18.24	9000	108.39	3.08	45.77	1.80	57.5
TRD8038x48VH	※★◎	48 (32.0~55.0)	0.48	23.04	10000	122.80	3.49	55.65	2.19	60.5
TRD8038x48SH	※★◎	48 (32.0~55.0)	0.63	30.24	11000	135.45	3.85	67.55	2.66	63.5
TRD8038x48UH	※★◎	48 (32.0~55.0)	0.80	38.40	12500	151.86	4.31	82.52	3.25	66.5

⊗ Bearing System ※ : Sleeve ★ : WRB ◎ : Ball

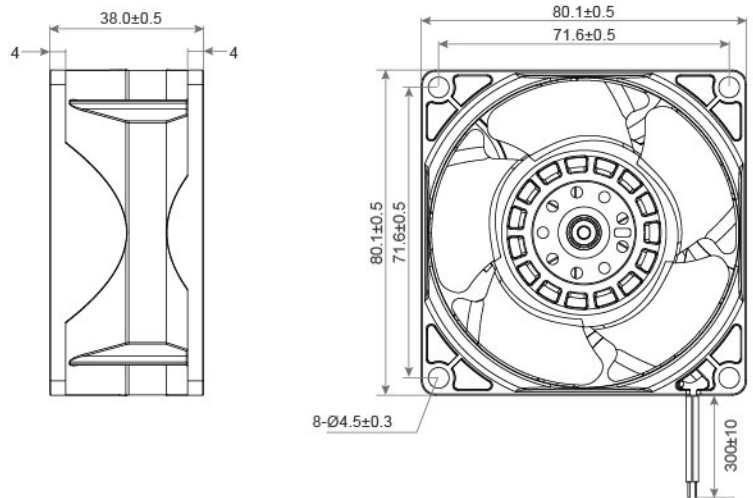
★如果您需要的轉速或電壓或功能不在這份清單上，請與我們業務聯繫 Please contact us, if the SPEC you need is not in the list.

★產品詳細數據及功能請參閱承認書 Please see the approval sheet for more information . ★產品規格變更不另行通知 Specifications are subject to change without notice. A70



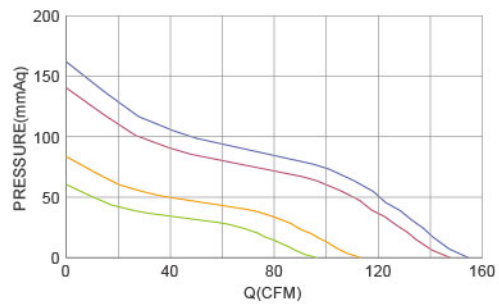


DIMENSIONS DRAWING UNIT : mm



- Frame : Thermoplastic PBT UL94-V0  
外框材質：環保防火PBT
- Impeller : Thermoplastic PBT UL94-V0  
扇葉材質：環保防火PBT
- Bearing : ※ Sleeve · ★ WRB · ◎ Two Ball Bearing  
軸承：※ 含油 · ★ WRB · ◎ 滾珠軸承
- Unit Weight : 207g  
風扇單體重量：207克

P&Q Curve At Rated Voltage



Model No.	Bearing Type	Voltage (VDC)	Current (A)	Power (W)	Speed (RPM)	Air Flow (CFM)	Air Flow (m <sup>3</sup> /min)	Air Pressure (mmH <sub>2</sub> O)	Air Pressure (Inch H <sub>2</sub> O)	Noise (dBA)
TRD8038x12D	※★◎	12 (7.2~13.8)	1.38	16.6	11000	94.65	2.69	60.68	2.39	61.0
TRD8038x12L	※★◎	12 (7.2~13.8)	1.85	22.2	12000	102.98	2.92	71.01	2.80	63.0
TRD8038x12M	※★◎	12 (7.2~13.8)	2.20	26.4	13000	112.82	3.21	82.91	3.26	65.0
TRD8038x12H	※★◎	12 (7.2~13.8)	2.65	31.8	14000	120.93	3.43	91.40	3.60	67.0
TRD8038x12VH	※★◎	12 (7.2~13.8)	3.25	39.0	15000	130.74	3.71	114.40	4.50	69.0
TRD8038x12SH	※★◎	12 (7.2~13.8)	3.80	45.6	16000	138.74	3.94	127.87	5.03	71.0
TRD8038x12UH	※★◎	12 (7.2~13.8)	4.50	54.0	17000	146.47	4.16	141.62	5.57	73.0
TRD8038x12XH	※★◎	12 (7.2~13.8)	5.40	64.8	18300	153.94	4.37	160.10	6.30	75.0
TRD8038x24D	※★◎	24 (14.5~27.5)	0.69	16.6	11000	94.65	2.69	60.68	2.39	61.0
TRD8038x24L	※★◎	24 (14.5~27.5)	0.92	22.1	12000	102.98	2.92	71.01	2.80	63.0
TRD8038x24M	※★◎	24 (14.5~27.5)	1.10	26.4	13000	112.82	3.21	82.91	3.26	65.0
TRD8038x24H	※★◎	24 (14.5~27.5)	1.32	31.8	14000	120.93	3.43	91.40	3.60	67.0
TRD8038x24VH	※★◎	24 (14.5~27.5)	1.62	38.9	15000	130.74	3.71	114.40	4.50	69.0
TRD8038x24SH	※★◎	24 (14.5~27.5)	1.90	45.6	16000	138.74	3.94	127.87	5.03	71.0
TRD8038x24UH	※★◎	24 (14.5~27.5)	2.25	54.0	17000	146.47	4.16	141.62	5.57	73.0
TRD8038x24XH	※★◎	24 (14.5~27.5)	2.70	64.8	18300	153.94	4.37	160.10	6.30	75.0
TRD8038x48D	※★◎	48 (29.0~55.0)	0.35	16.8	11000	94.65	2.69	60.68	2.39	61.0
TRD8038x48L	※★◎	48 (29.0~55.0)	0.46	22.1	12000	102.98	2.92	71.01	2.80	63.0
TRD8038x48M	※★◎	48 (29.0~55.0)	0.55	26.4	13000	112.82	3.21	82.91	3.26	65.0
TRD8038x48H	※★◎	48 (29.0~55.0)	0.66	31.8	14000	120.93	3.43	91.40	3.60	67.0
TRD8038x48VH	※★◎	48 (29.0~55.0)	0.81	38.9	15000	130.74	3.71	114.40	4.50	69.0
TRD8038x48SH	※★◎	48 (29.0~55.0)	0.95	45.6	16000	138.74	3.94	127.87	5.03	71.0
TRD8038x48UH	※★◎	48 (29.0~55.0)	1.13	54.0	17000	146.47	4.16	141.62	5.57	73.0

★如果您需要的轉速或電壓或功能不在這份清單上，請與我們業務聯繫 Please contact us, if the SPEC you need is not in the list.