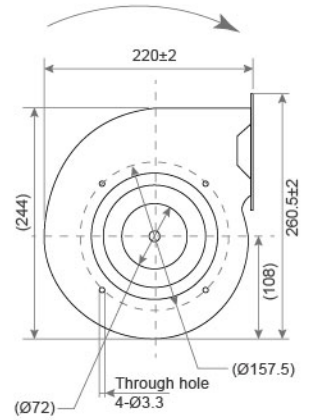
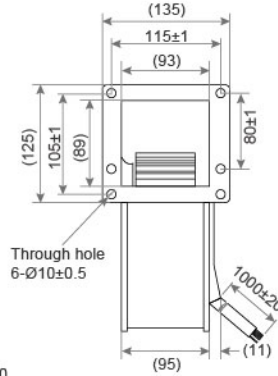
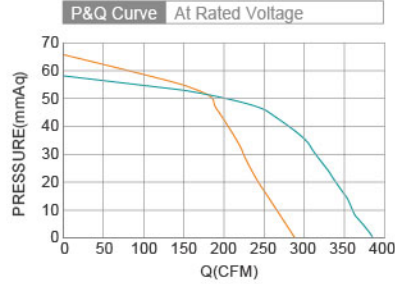


DC Forward Centrifugal Fan SDF3P160-DC072 SERIES 220X244X95mm

- Material : Galvanized sheet steel
材質：鍍鋅板材
- Bearing System : Two Ball Bearing
軸承結構：滾珠軸承
- Unit Weight : 3100g
風扇單體重量：3100克

DIMENSIONS DRAWING UNIT : mm



Model No.	Bearing Type	Voltage (VDC)	Current (A)	Power (W)	Speed (RPM)	Air Flow (CFM)	Air Flow (m ³ /min)	Air Pressure (mmH ₂ O)	Air Pressure (Inch H ₂ O)	Noise (dBA)
SDF3P160-DC072-A31	◎	310	0.26	80.0	1600	281.0	7.95	66.1	2.6	61.0
SDF3P160-DC072-A31	◎	310	0.71	220.0	2400	388.0	10.98	58.4	2.3	66.0

⊗ Bearing System ※ : Sleeve ★ : WRB ◎ : Ball

★如果您需要的轉速或電壓或功能不在這份清單上，請與我們業務聯繫 Please contact us, if the SPEC you need is not in the list.

★產品詳細數據及功能請參閱承認書 Please see the approval sheet for more information . ★產品規格變更不另行通知 Specifications are subject to change without notice.