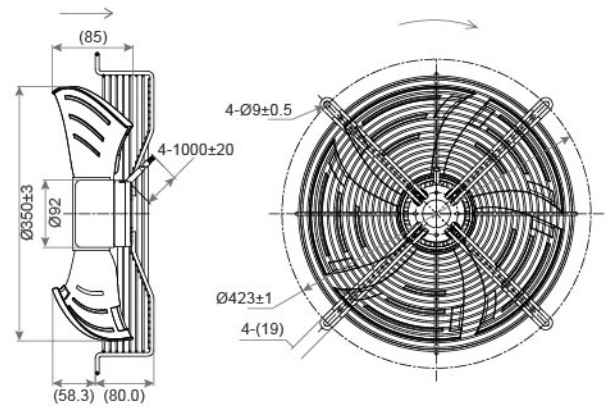
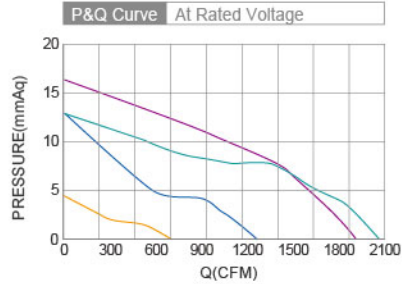




- Frame : Sheet Steel
外框材質：薄鋼板
- Impeller : Sheet Steel
扇葉材質：薄鋼板
- Bearing : ◎ Two Ball bearing
軸承：◎滾珠軸承
- Ingress Protection : IP42
防護等級：IP42



Model No.	Bearing Type	Voltage (VDC)	Current (A)	Power (W)	Speed (RPM)	Air Flow (CFM)	Air Flow (m ³ /min)	Air Pressure (mmH ₂ O)	Air Pressure (Inch H ₂ O)	Temperature Min / Max(°C)	Noise (dBA)
SDA3P350-DC092-A2	◎	24	6.60	160	1530	1880	53.4	16.31	0.64	-25°C ~ +60°C	63.0
SDA3P350-DC092-A4	◎	48	3.30	160	1530	1880	53.4	16.31	0.64	-25°C ~ +60°C	63.0
SDA3P350-DC092-A31	◎	310	0.56	175	1800	2050	58.0	12.64	0.50	-25°C ~ +60°C	65.0

⊗ Bearing System ※ : Sleeve ★ : WRB ◎ : Ball

★如果您需要的轉速或電壓或功能不在這份清單上，請與我們業務聯繫 Please contact us, if the SPEC you need is not in the list.

★產品詳細數據及功能請參閱承認書 Please see the approval sheet for more information . ★產品規格變更不另行通知 Specifications are subject to change without notice. ■ D1