

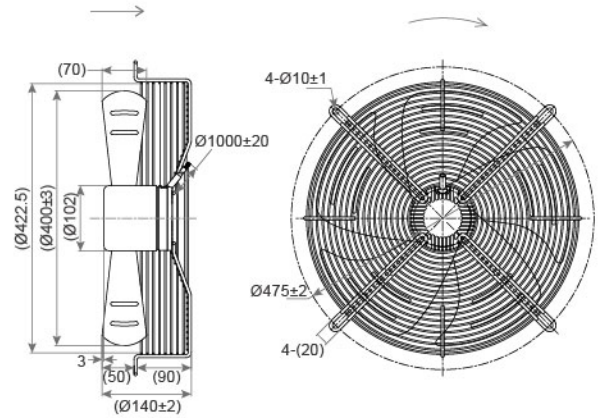
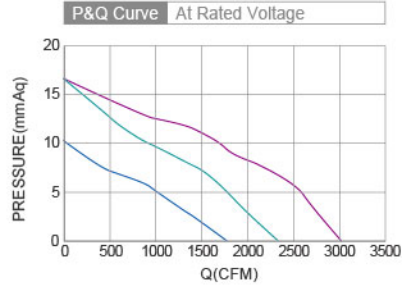
# DC Outer Rotor Fan

## SDA3P400-DC102 SERIES Ø400x140mm



- Frame : Sheet Steel  
外框材質：薄鋼板
- Impeller : Sheet Steel  
扇葉材質：薄鋼板
- Bearing : ◎Two Ball bearing  
軸承：◎滾珠軸承
- Ingress Protection : IP42  
防護等級：IP42

DIMENSIONS DRAWING UNIT : mm



Model No.	Bearing Type	Voltage (VDC)	Current (A)	Power (W)	Speed (RPM)	Air Flow (CFM)	Air Flow (m <sup>3</sup> /min)	Air Pressure (mmH <sub>2</sub> O)	Air Pressure (Inch H <sub>2</sub> O)	Temperature Min / Max(°C)	Noise (dBA)
SDA3P400-DC102-A4	◎	48	5.80	280	1480	2970	84.05	17.13	0.67	-25°C ~ +60°C	65.0

⊗ Bearing System ※ : Sleeve ★ : WRB ◎ : Ball

★如果您需要的轉速或電壓或功能不在這份清單上，請與我們業務聯繫 Please contact us, if the SPEC you need is not in the list.

★產品詳細數據及功能請參閱承認書 Please see the approval sheet for more information . ★產品規格變更不另行通知 Specifications are subject to change without notice.