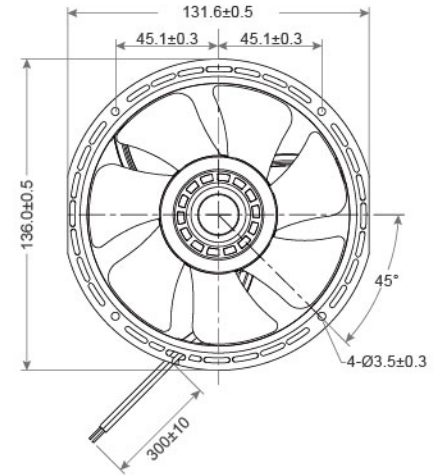
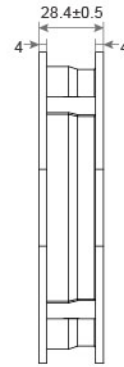
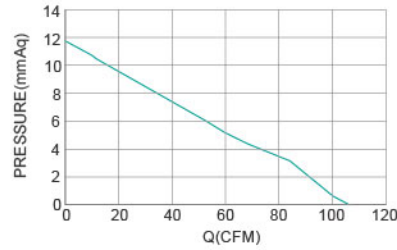


# DC Bi-Directional fan TRF13628 SERIES 136x132x28mm



- Frame : Thermoplastic PBT UL94-V0  
外框材質：環保防火PBT
- Impeller : Thermoplastic PBT UL94-V0  
扇葉材質：環保防火PBT
- Bearing : ◎Two Ball Bearing  
軸承：◎滾珠軸承
- Unit Weight : 215g  
風扇單體重量：215克

P&Q Curve At Rated Voltage



Model No.	Bearing Type	Voltage (VDC)	Current (A)	Power (W)	Speed (RPM)	Air Flow (CFM)	Air Flow (m <sup>3</sup> /min)	Air Pressure (mmH <sub>2</sub> O)	Air Pressure (Inch H <sub>2</sub> O)	Noise (dBA)
TRF13628B12M	◎	12 (7.2~13.8)	0.15	1.80	3100 / 3100	70.7	2.0	10.41	0.41	35.0 / 45.0
TRF13628B12H	◎	12 (7.2~13.8)	0.60	7.20	5100 / 4800	129.1	3.0	19.50	0.77	51.5 / 55.5
TRF13628B24M	◎	24 (14.5~27.5)	0.08	1.92	3100 / 3100	70.7	2.0	10.41	0.41	35.0 / 45.0
TRF13628B24H	◎	24 (14.5~27.5)	0.30	7.20	5100 / 4800	129.1	3.0	19.50	0.77	51.5 / 55.5

⊗ Bearing System ※ : Sleeve ★ : WRB ◎ : Ball

★如果您需要的轉速或電壓或功能不在這份清單上，請與我們業務聯繫 Please contact us, if the SPEC you need is not in the list.

★產品詳細數據及功能請參閱承認書 Please see the approval sheet for more information . ★產品規格變更不另行通知 Specifications are subject to change without notice. A146