

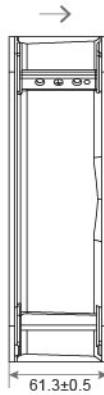


DC Bi-Directional fan TRF20060 SERIES 200X200X60mm

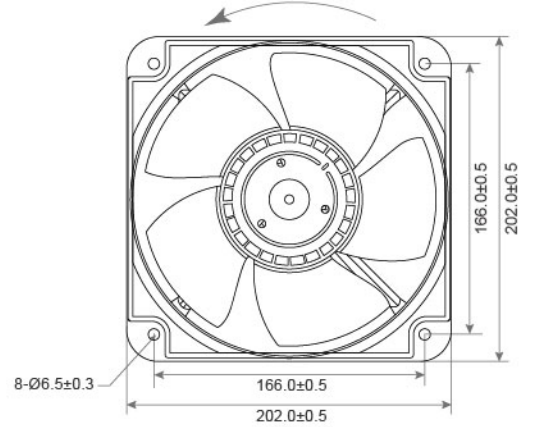
DIMENSIONS DRAWING UNIT : mm



AIR FLOW

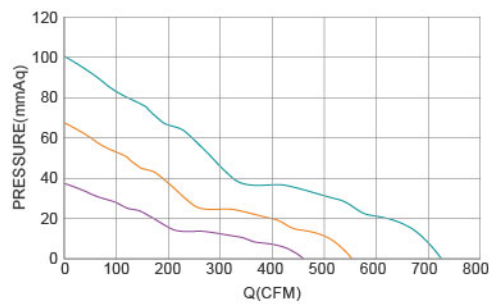


ROTATION



- Frame : Aluminum
外框材質：鋁框
- Impeller : Thermoplastic PBT UL94-V0
扇葉材質：環保防火PBT
- Bearing : ※Sleeve · ★WRB · ◎Two Ball Bearing
軸承：※含油 · ★WRB · ◎滾珠軸承
- Unit Weight : 2450g
風扇單體重量：2450克

P&Q Curve At Rated Voltage



Model No.	Bearing Type	Voltage (VDC)	Current (A)	Power (W)	Speed (RPM)	Air Flow (CFM)	Air Flow (m ³ /min)	Air Pressure (mmH ₂ O)	Air Pressure (Inch H ₂ O)	Noise (dBA)
TRF20060x12M	※◎★	12 (8.0~13.2)	1.2 / 1.0	28.8 / 24.0	3500 / 3500	365 / 270	10.37 / 7.66	23.2 / 19.5	0.66 / 0.55	56.5 / 53.5
TRF20060x24M	※◎★	24 (14.5~27.5)	0.6 / 0.5	28.8 / 24.0	3500 / 3500	365 / 270	10.37 / 7.66	23.2 / 19.5	0.66 / 0.55	56.5 / 53.5

◎ Bearing System ※ : Sleeve ★ : WRB ◎ : Ball

★如果您需要的轉速或電壓或功能不在這份清單上，請與我們業務聯繫 Please contact us, if the SPEC you need is not in the list.

★產品詳細數據及功能請參閱承認書 Please see the approval sheet for more information . ★產品規格變更不另行通知 Specifications are subject to change without notice. A147