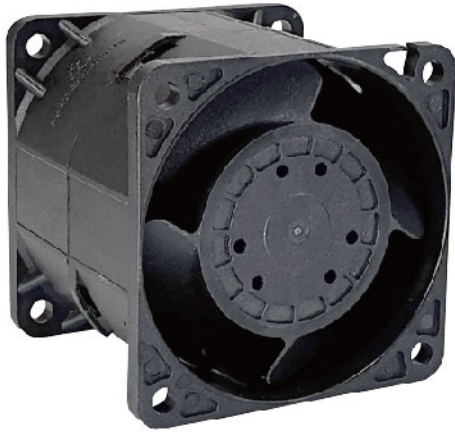
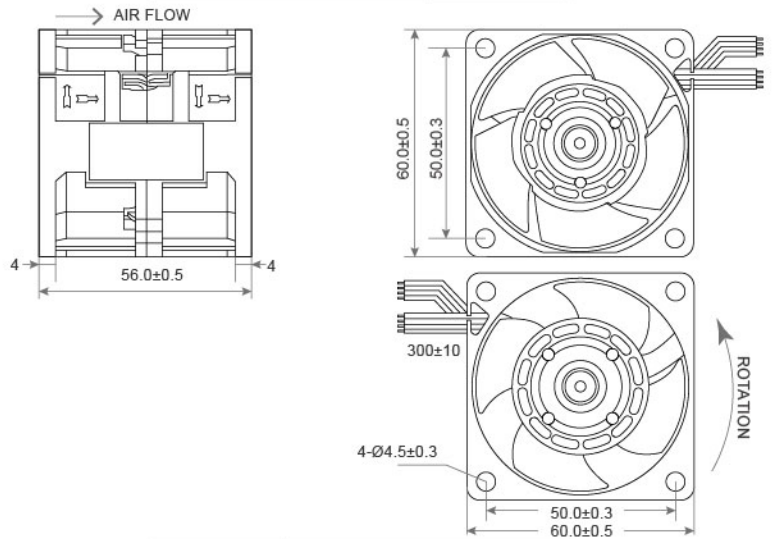


# DC Bi-Directional fan TRF6056 SERIES 60X60X56mm

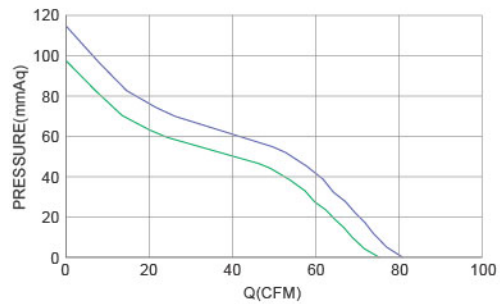


DIMENSIONS DRAWING UNIT : mm



- Frame : Thermoplastic PBT UL94-V0  
外框材質 : 環保防火PBT
- Impeller : Thermoplastic PBT UL94-V0  
扇葉材質 : 環保防火PBT
- Bearing : ※Sleeve · ★WRB · ◎Two Ball bearing  
軸承 : ※含油 · ★WRB · ◎滾珠軸承
- Unit Weight : 165g  
風扇單體重量 : 165克

P&Q Curve At Rated Voltage



Model No.	Bearing Type	Voltage (VDC)	Current (A)	Power (W)	Speed (RPM)	Air Flow (CFM)	Air Flow (m <sup>3</sup> /min)	Air Pressure (mmH <sub>2</sub> O)	Air Pressure (Inch H <sub>2</sub> O)	Noise (dBA)
TRF6056x12M	※◎★	12 (9.5~13.2)	2.4	28.8	16800 / 14500	74.2	2.11	97.03	3.82	70.0
TRF6056x12H	※◎★	12 (9.5~13.2)	3.1	37.2	18000 / 16000	80.5	2.29	115.57	4.55	73.0

⊗ Bearing System ※ : Sleeve ★ : WRB ◎ : Ball

★如果您需要的轉速或電壓或功能不在這份清單上，請與我們業務聯繫 Please contact us, if the SPEC you need is not in the list.

■ A144★產品詳細數據及功能請參閱承認書 Please see the approval sheet for more information . ★產品規格變更不另行通知 Specifications are subject to change without notice.