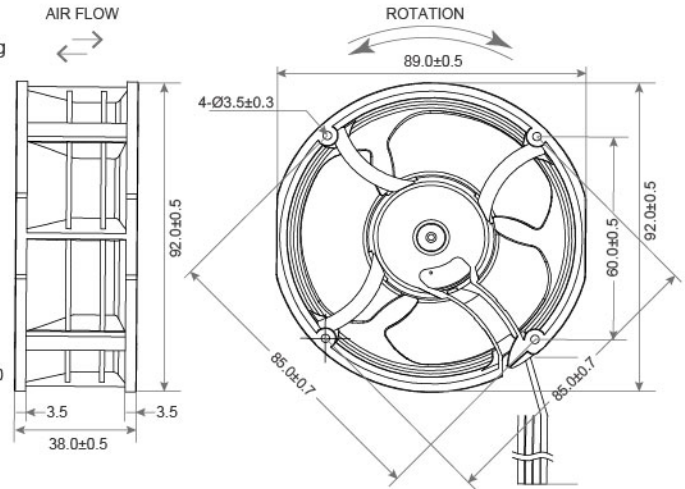
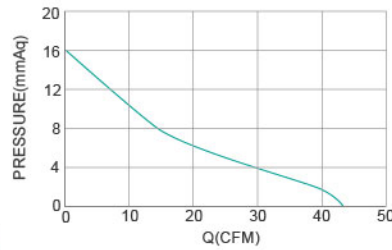


DC Bi-Directional fan TRF9238 SERIES Ø92X38mm



- Frame : Thermoplastic PBT UL94-V0
外框材質：環保防火PBT
- Impeller : Thermoplastic PBT UL94-V0
扇葉材質：環保防火PBT
- Bearing : ※Sleeve · ◎Two Ball Bearing
軸承：※含油 · ◎滾珠軸承
- Unit Weight : 145g
風扇單體重量：145克

P&Q Curve At Rated Voltage



Model No.	Bearing Type	Voltage (VDC)	Current (A)	Power (W)	Speed (RPM)	MAX Air Flow (CFM)	MAX Air Pressure (m ³ /min)	MAX Air Pressure (mmH ₂ O)	MAX Air Pressure (Inch H ₂ O)	Noise (dBA)
TRF9238x12M	※◎	12 (7.2~13.8)	0.2	2.4	5500 / 5500	42.4	1.2	16.0	0.63	39.0
TRF9238x24M	※◎	24 (14.5~27.5)	0.2	2.4	5500 / 5500	42.4	1.2	16.0	0.63	39.0

⊗ Bearing System ※ : Sleeve ★ : WRB ◎ : Ball

★如果您需要的轉速或電壓或功能不在這份清單上，請與我們業務聯繫 Please contact us, if the SPEC you need is not in the list.

■ A146★產品詳細數據及功能請參閱承認書 Please see the approval sheet for more information . ★產品規格變更不另行通知 Specifications are subject to change without notice.