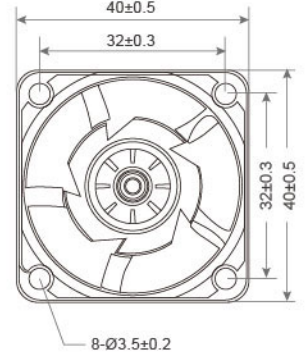
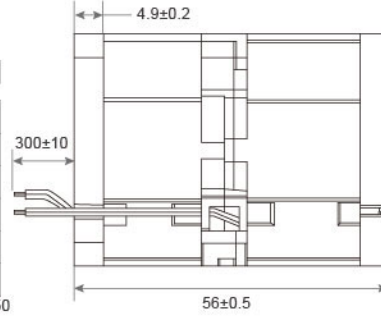
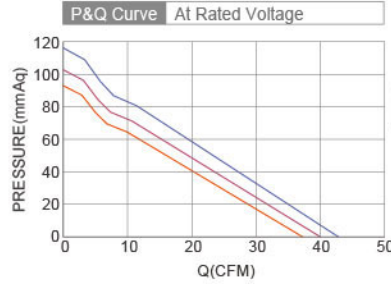


DC Axial Fan SB4056 SERIES 40X40X56mm

- Frame : Thermoplastic PBT UL94-V0
外框材質：環保防火PBT
- Impeller : Thermoplastic PBT UL94-V0
扇葉材質：環保防火PBT
- Bearing : ◎Two Ball bearing
軸承：◎滾珠軸承
- Unit Weight : 88.5g
風扇單體重量：88.5克

DIMENSIONS DRAWING UNIT : mm

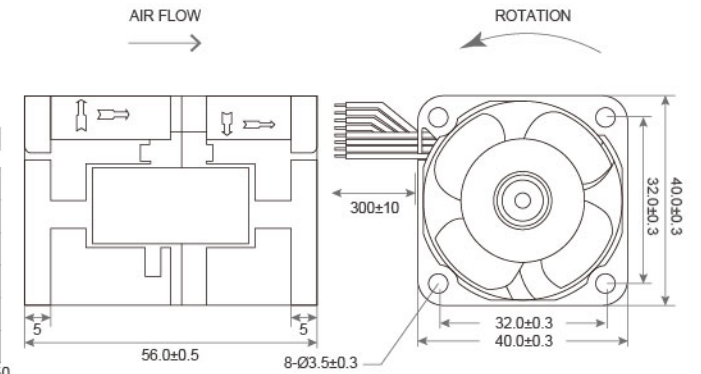
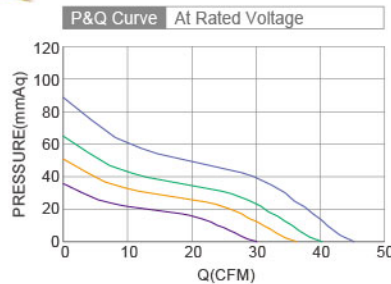


Model No.	Bearing Type	Voltage (VDC)	Current (A)	Power (W)	Speed (RPM)	Air Flow (CFM)	Air Flow (m ³ /min)	Air Pressure (mmH ₂ O)	Air Pressure (Inch H ₂ O)	Noise (dBA)
SB0405612L	◎	12 (6.0~13.8)	2.6	31.2	18000	38.11	1.08	93.26	3.67	73.5
SB0405612M	◎	12 (6.0~13.8)	2.8	33.6	19000	40.11	1.14	104.91	4.13	74.5
SB0405612H	◎	12 (6.0~13.8)	3.0	36.0	20000	41.94	1.19	116.15	4.58	75.5

DC Axial Fan TRF4056 SERIES 40X40X56mm

- Frame : Thermoplastic PBT UL94-V0
外框材質：環保防火PBT
- Impeller : Thermoplastic PBT UL94-V0
扇葉材質：環保防火PBT
- Bearing : ◎Two Ball bearing
軸承：◎滾珠軸承
- Unit Weight : 90g
風扇單體重量：90克

DIMENSIONS DRAWING UNIT : mm



Model No.	Bearing Type	Voltage (VDC)	Current (A)	Power (W)	Speed (RPM)	Air Flow (CFM)	Air Flow (m ³ /min)	Air Pressure (mmH ₂ O)	Air Pressure (Inch H ₂ O)	Noise (dBA)
TRF4056B12D	※◎★	12 (9.5~13.2)	0.60	7.2	14000 / 9300	22.95	0.65	36.8	1.45	54.0
TRF4056B12L	※◎★	12 (9.5~13.2)	0.75	9.0	15000 / 10000	24.72	0.70	41.9	1.65	56.0
TRF4056B12M	※◎★	12 (9.5~13.2)	0.95	11.4	16700 / 11250	27.19	0.77	51.1	2.01	58.0
TRF4056B12H	※◎★	12 (9.5~13.2)	1.35	16.2	19000 / 12600	30.72	0.83	64.3	2.53	61.0
TRF4056B12VH	※◎★	12 (9.5~13.2)	2.30	27.6	21000 / 18000	34.72	0.99	89.7	3.53	64.5

◎ Bearing System ※ : Sleeve ★ : WRB ◎ : Ball

★如果您需要的轉速或電壓或功能不在這份清單上，請與我們業務聯繫 Please contact us, if the SPEC you need is not in the list.

★產品詳細數據及功能請參閱承認書 Please see the approval sheet for more information. ★產品規格變更不另行通知 Specifications are subject to change without notice. A26