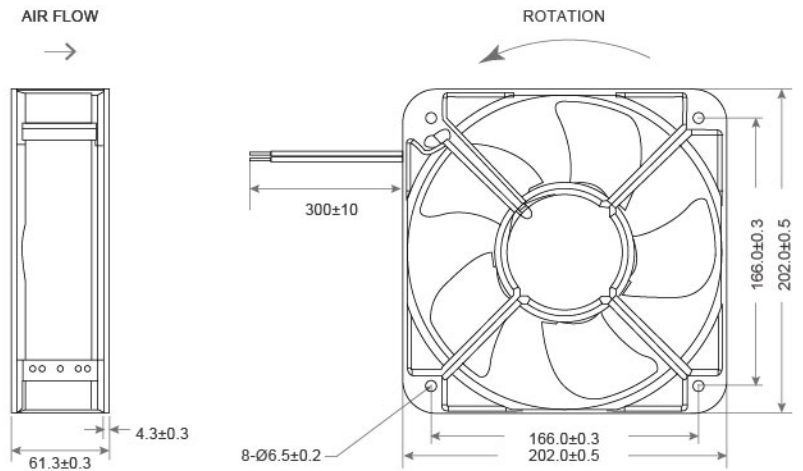


DC Axial Fan TRS20060 SERIES 200X200X60mm

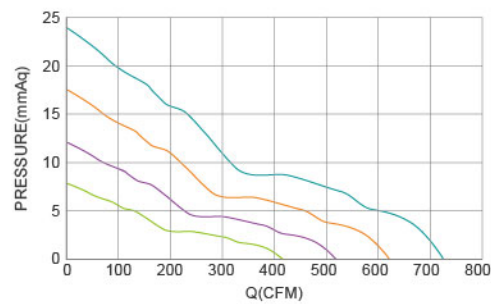


DIMENSIONS DRAWING UNIT : mm



- Frame : Aluminum
外框材質：鋁框
- Impeller : Thermoplastic PBT UL94-V0
扇葉材質：環保防火PBT
- Bearing : ※ Sleeve · ★ WRB · ◎ Two Ball Bearing
軸承：※含油 · ★WRB · ◎滾珠軸承
- Unit Weight : 1250g
風扇單體重量：1250克

P&Q Curve At Rated Voltage

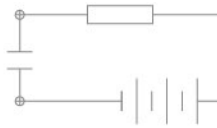


Model No.	Bearing Type	Voltage (VDC)	Current (A)	Power (W)	Speed (RPM)	Air Flow (CFM)	Air Flow (m ³ /min)	Air Pressure (mmH ₂ O)	Air Pressure (Inch H ₂ O)	Noise (dBA)
TRS20060x12L	※◎★	12 (7.0~14.0)	0.75	9.00	1500	307.65	8.71	4.37	0.17	44.5
TRS20060x12M	※◎★	12 (7.0~14.0)	1.16	13.92	2000	410.21	11.61	7.77	0.31	52.3
TRS20060x12H	※◎★	12 (7.0~14.0)	2.24	26.88	2500	512.76	14.51	12.14	0.48	58.6
TRS20060x24L	※◎★	24 (15.0~27.0)	0.28	6.72	1500	307.65	8.71	4.37	0.17	44.5
TRS20060x24M	※◎★	24 (15.0~27.0)	0.58	13.92	2000	410.21	11.61	7.77	0.31	52.3
TRS20060x24H	※◎★	24 (15.0~27.0)	1.10	26.40	2500	512.76	14.51	12.14	0.48	58.6
TRS20060x24VH	※◎★	24 (15.0~27.0)	2.10	50.40	3000	615.31	17.41	17.48	0.69	64.8
TRS20060x24SH	※◎★	24 (15.0~27.0)	3.43	80.16	3500	717.86	20.32	23.80	0.94	69.1
TRS20060x48L	※◎★	48 (35.0~57.0)	0.14	6.72	1500	307.65	8.71	4.37	0.17	44.5
TRS20060x48M	※◎★	48 (35.0~57.0)	0.29	13.92	2000	410.21	11.61	7.77	0.31	52.3
TRS20060x48H	※◎★	48 (35.0~57.0)	0.56	26.88	2500	512.76	14.51	12.14	0.48	58.6
TRS20060x48VH	※◎★	48 (35.0~57.0)	1.05	50.40	3000	615.31	17.41	17.48	0.69	64.8
TRS20060x48SH	※◎★	48 (35.0~57.0)	1.56	74.88	3500	717.86	20.32	23.80	0.94	69.1

◎ Bearing System ※ : Sleeve ★ : WRB ◎ : Ball

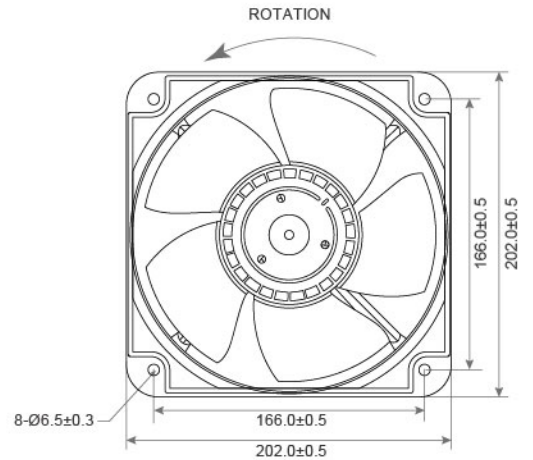
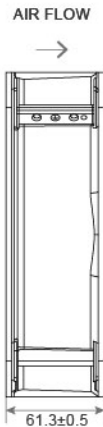
★如果您需要的轉速或電壓或功能不在這份清單上，請與我們業務聯繫 Please contact us, if the SPEC you need is not in the list.

★產品詳細數據及功能請參閱承認書 Please see the approval sheet for more information . ★產品規格變更不另行通知 Specifications are subject to change without notice. A134



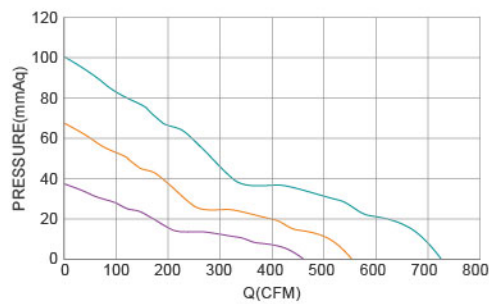
DC Axial Fan TRF20060 SERIES 200X200X60mm

DIMENSIONS DRAWING UNIT : mm



- Frame : Aluminum
外框材質 : 鋁框
- Impeller : Thermoplastic PBT UL94-V0
扇葉材質 : 環保防火PBT
- Bearing : ※Sleeve · ★WRB · ◎Two Ball Bearing
軸承 : ※含油 · ★WRB · ◎滾珠軸承
- Unit Weight : 2450g
風扇單體重量 : 2450克

P&Q Curve At Rated Voltage



Model No.	Bearing Type	Voltage (VDC)	Current (A)	Power (W)	Speed (RPM)	Air Flow (CFM)	Air Flow (m ³ /min)	Air Pressure (mmH ₂ O)	Air Pressure (Inch H ₂ O)	Noise (dBA)
TRF20060x12M	※◎★	12 (8.5~13.5)	2.91	35.0	4250	465.0	13.20	37.85	1.49	62.0
TRF20060x12H	※◎★	12 (8.5~13.5)	4.00	48.0	5000	553.0	15.70	67.31	2.65	66.0
TRF20060x12VH	※◎★	12 (8.5~13.5)	8.58	103.0	6500	718.0	20.39	101.85	4.01	72.0
TRF20060x24M	※◎★	24 (14.5~27.5)	1.45	35.0	4250	465.0	13.20	37.85	1.49	62.0
TRF20060x24H	※◎★	24 (14.5~27.5)	2.00	48.0	5000	553.0	15.70	67.31	2.65	66.0
TRF20060x24VH	※◎★	24 (14.5~27.5)	4.29	103.0	6500	718.0	20.39	101.85	4.01	72.0
TRF20060x48M	※◎★	48 (29.0~55.0)	0.72	35.0	4250	465.0	13.20	37.85	1.49	62.0
TRF20060x48H	※◎★	48 (29.0~55.0)	1.00	48.0	5000	553.0	15.70	67.31	2.65	66.0
TRF20060x48VH	※◎★	48 (29.0~55.0)	2.14	103.0	6500	718.0	20.39	101.85	4.01	72.0

◎ Bearing System ※ : Sleeve ★ : WRB ◎ : Ball

★如果您需要的轉速或電壓或功能不在這份清單上，請與我們業務聯繫 Please contact us, if the SPEC you need is not in the list.

■ A135★產品詳細數據及功能請參閱承認書 Please see the approval sheet for more information . ★產品規格變更不另行通知 Specifications are subject to change without notice.